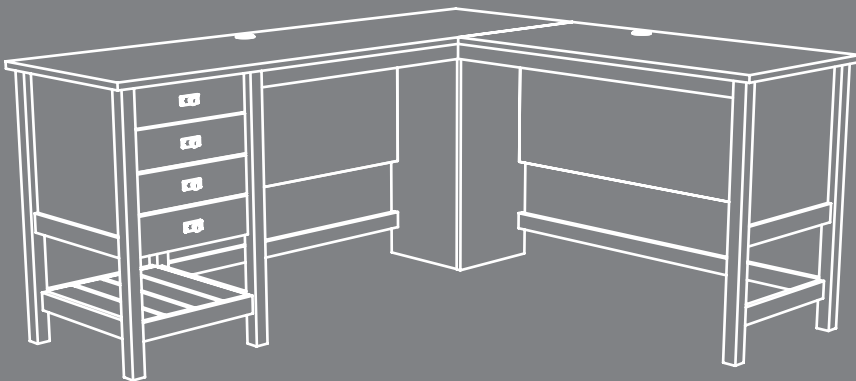


Teknik

www.teknikoffice.co.uk



Sit and surf.

Shaker Style L-Shape Desk Raven Oak

Model 5431264

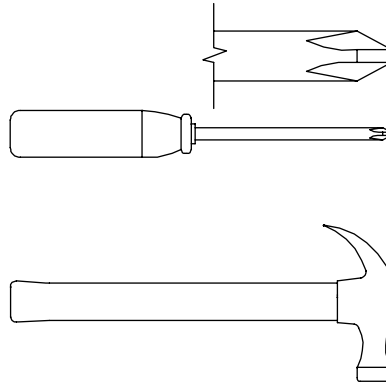
NOTE: THIS INSTRUCTION BOOKLET CONTAINS **IMPORTANT** SAFETY INFORMATION.

PLEASE READ AND KEEP FOR FUTURE REFERENCE.

Table of Contents

Assembly Tools Required

Part Identification	2-3
Hardware Identification	4-5
Hardware Usage Guide	6
Assembly Steps	7-46
Français	47-53
Español	54-60
Safety	61-62
Warranty	63



No. 2 Phillips Screwdriver
Tip Shown Actual Size

Hammer
Not actual size 😊

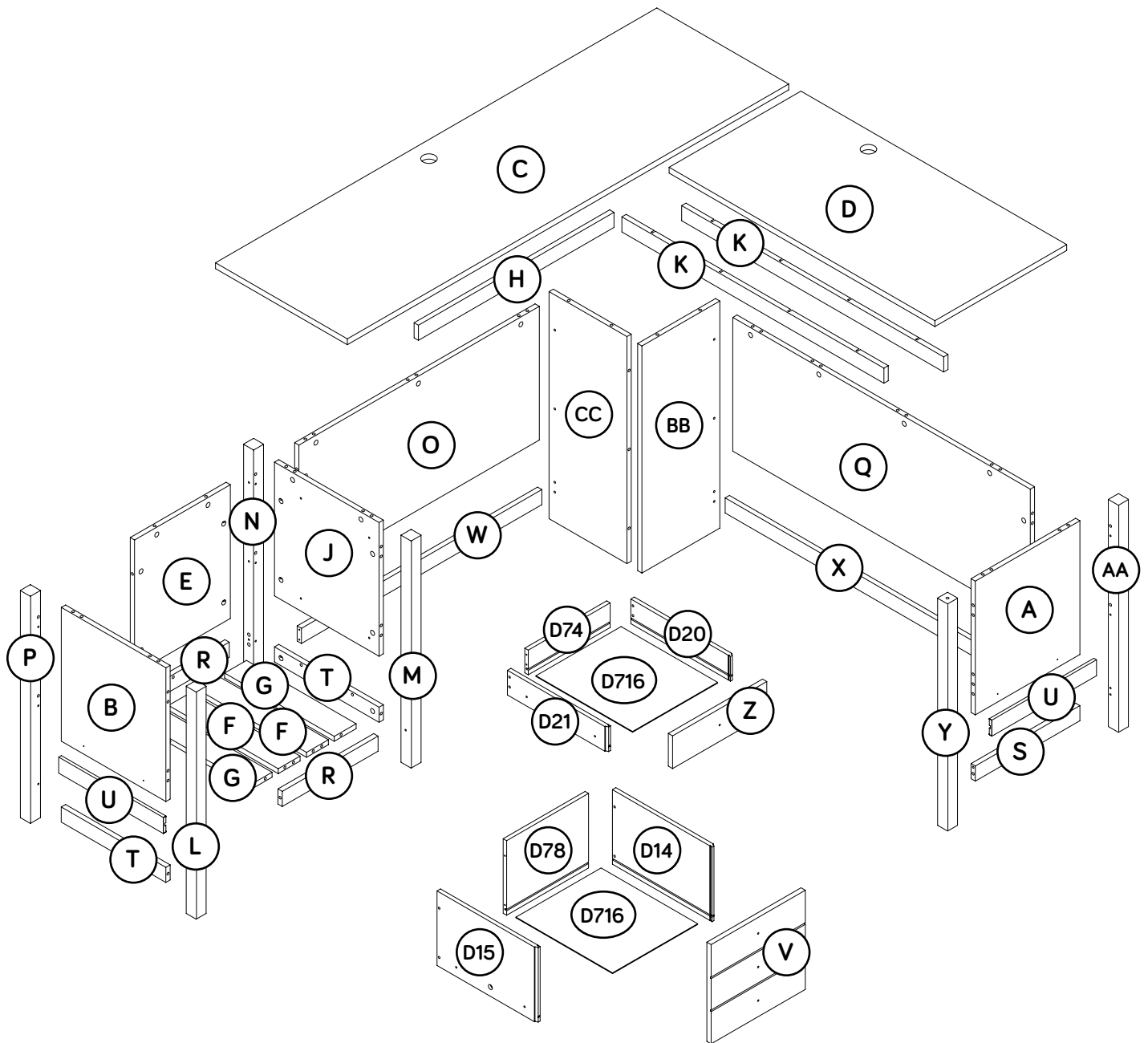
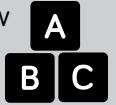
Part Identification

⚠ While not all parts are labeled, some of the parts will have a label or an inked letter on the edge to help distinguish similar parts from each other. Use this part identification to help identify similar parts.

A	RIGHT END (1)	F	INNER BOTTOM (2)	S	RIGHT END SKIRT (1)
B	LEFT END (1)	G	OUTER BOTTOM (2)	T	SIDE SKIRT (2)
C	LARGE TOP (1)	H	SHORT TOP MOLDING (1)	U	END MOLDING (2)
D	SMALL TOP (1)	J	UPRIGHT (1)	V	LARGE DRAWER FRONT (1)
D14	LARGE RIGHT DRAWER SIDE (1)	K	LONG TOP MOLDING (2)	W	SMALL BRACE (1)
D15	LARGE LEFT DRAWER SIDE (1)	L	LEFT FRONT LEG (1)	X	LARGE BRACE (1)
D20	SMALL RIGHT DRAWER SIDE (1)	M	CENTER FRONT LEG (1)	Y	RIGHT FRONT LEG (1)
D21	SMALL LEFT DRAWER SIDE (1)	N	CENTER REAR LEG (1)	Z	SMALL DRAWER FRONT (1)
D74	SMALL DRAWER BACK (1)	O	SMALL MODESTY PANEL (1)	AA	RIGHT REAR LEG (1)
D78	LARGE DRAWER BACK (1)	P	LEFT REAR LEG (1)	BB	RIGHT SUPPORT (1)
D716	DRAWER BOTTOM (2)	Q	LARGE MODESTY PANEL (1)	CC	LEFT SUPPORT (1)
E	BACK (1)	R	SKIRT (2)		

Part Identification

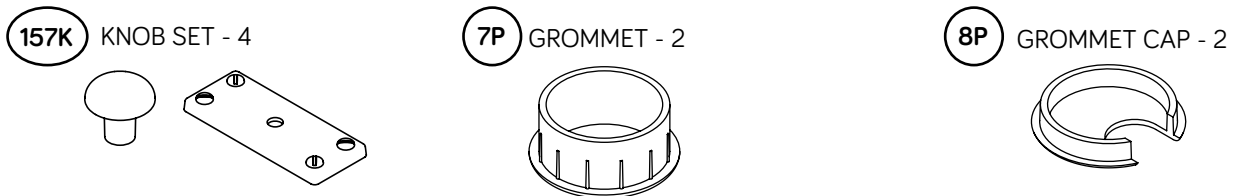
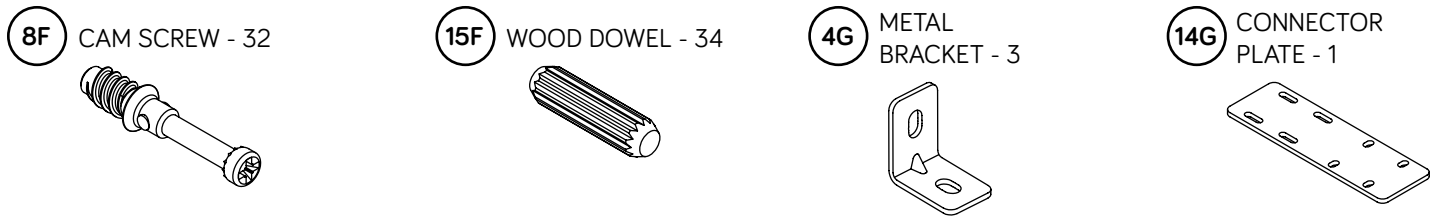
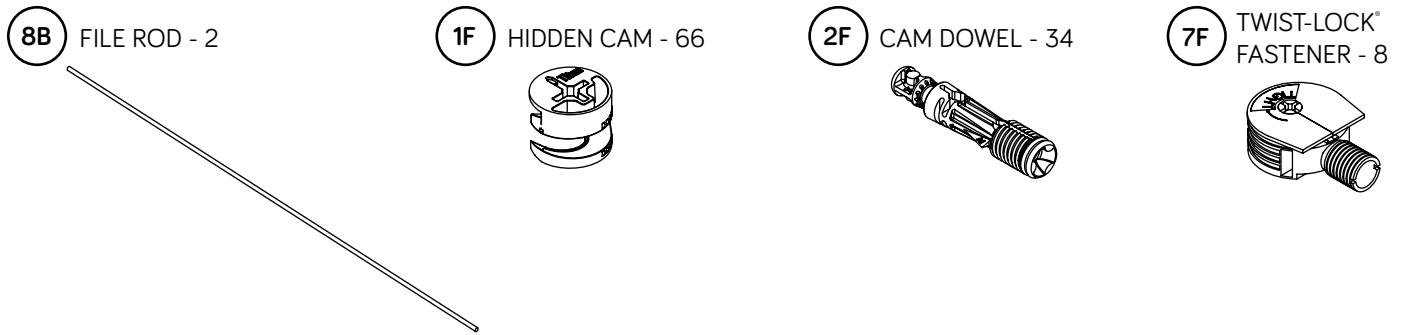
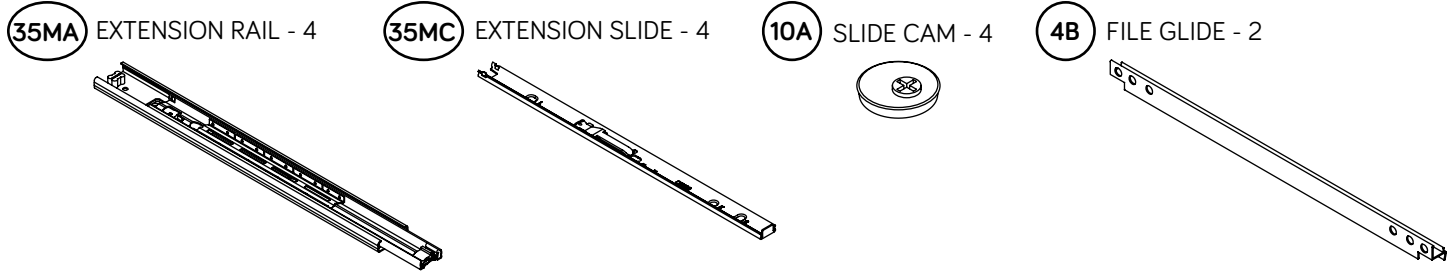
Now you know
our ABCs.



Hardware Identification

† Screws are shown actual size. You may receive extra hardware with your unit.

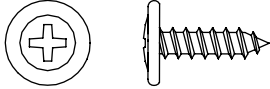
(EXTENSION SET SHOWN SEPARATED)



Hardware Identification

† Screws are shown actual size. You may receive extra hardware with your unit.

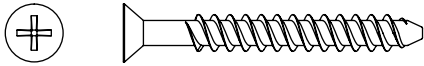
1S BLACK 9/16" LARGE HEAD SCREW - 14



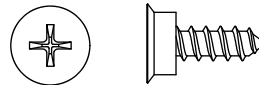
3S GOLD 5/16" FLAT HEAD SCREW - 16



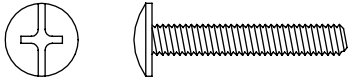
30S BLACK 1-9/16" FLAT HEAD SCREW - 8



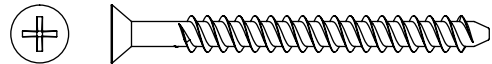
32S BLACK 9/16" FLAT HEAD SCREW - 4



50S GOLD 1" MACHINE SCREW - 4

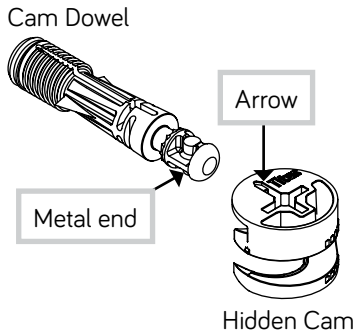


113S BLACK 1-15/16" FLAT HEAD SCREW - 10

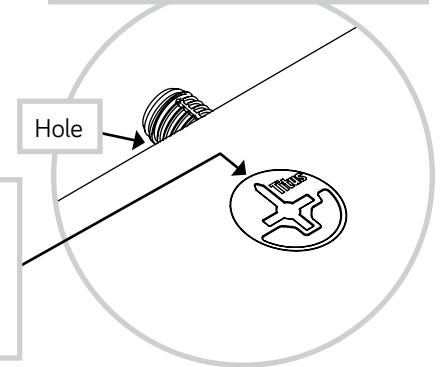


Hardware Usage Guide

HOW TO USE A HIDDEN CAM & CAM DOWEL



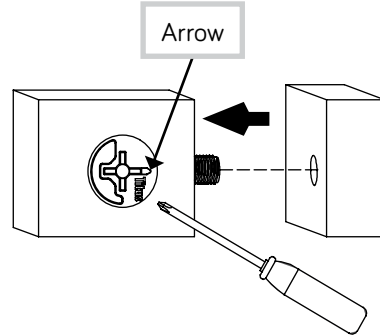
2. Insert the metal end of the CAM DOWEL into the HIDDEN CAM.



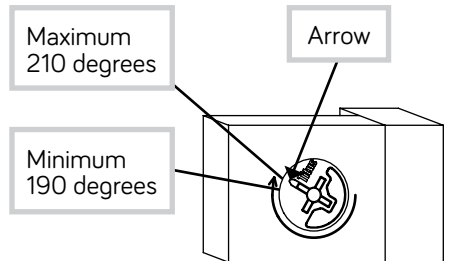
1. Push a HIDDEN CAM into the part. The arrow in the HIDDEN CAM must point toward the hole in the edge of the board.

3. **Caution**
 Risk of damage or injury. HIDDEN CAMS must be completely tightened. HIDDEN CAMS that are not completely tightened may loosen, and parts may separate. To completely tighten:

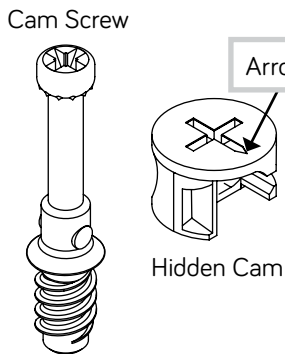
Start



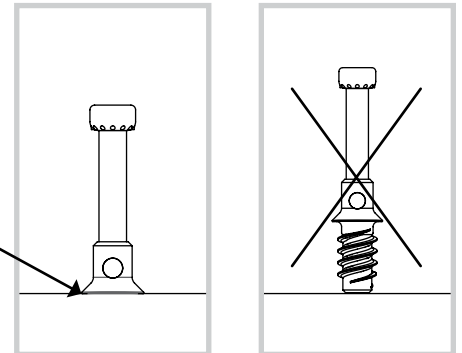
Tighten



HOW TO USE A HIDDEN CAM & CAM SCREW

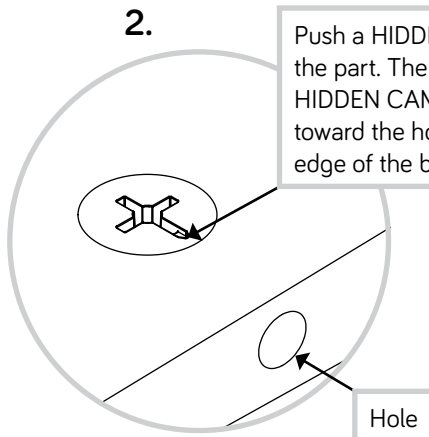


1. Turn the CAM SCREW until the shoulder is against the surface of the part.



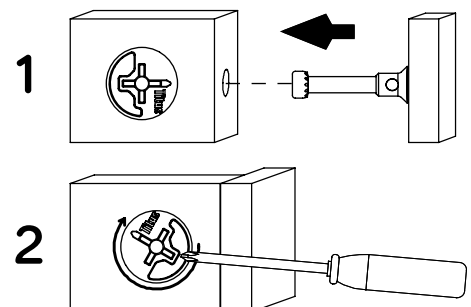
2.

Push a HIDDEN CAM into the part. The arrow in the HIDDEN CAM must point toward the hole in the edge of the board.



3.

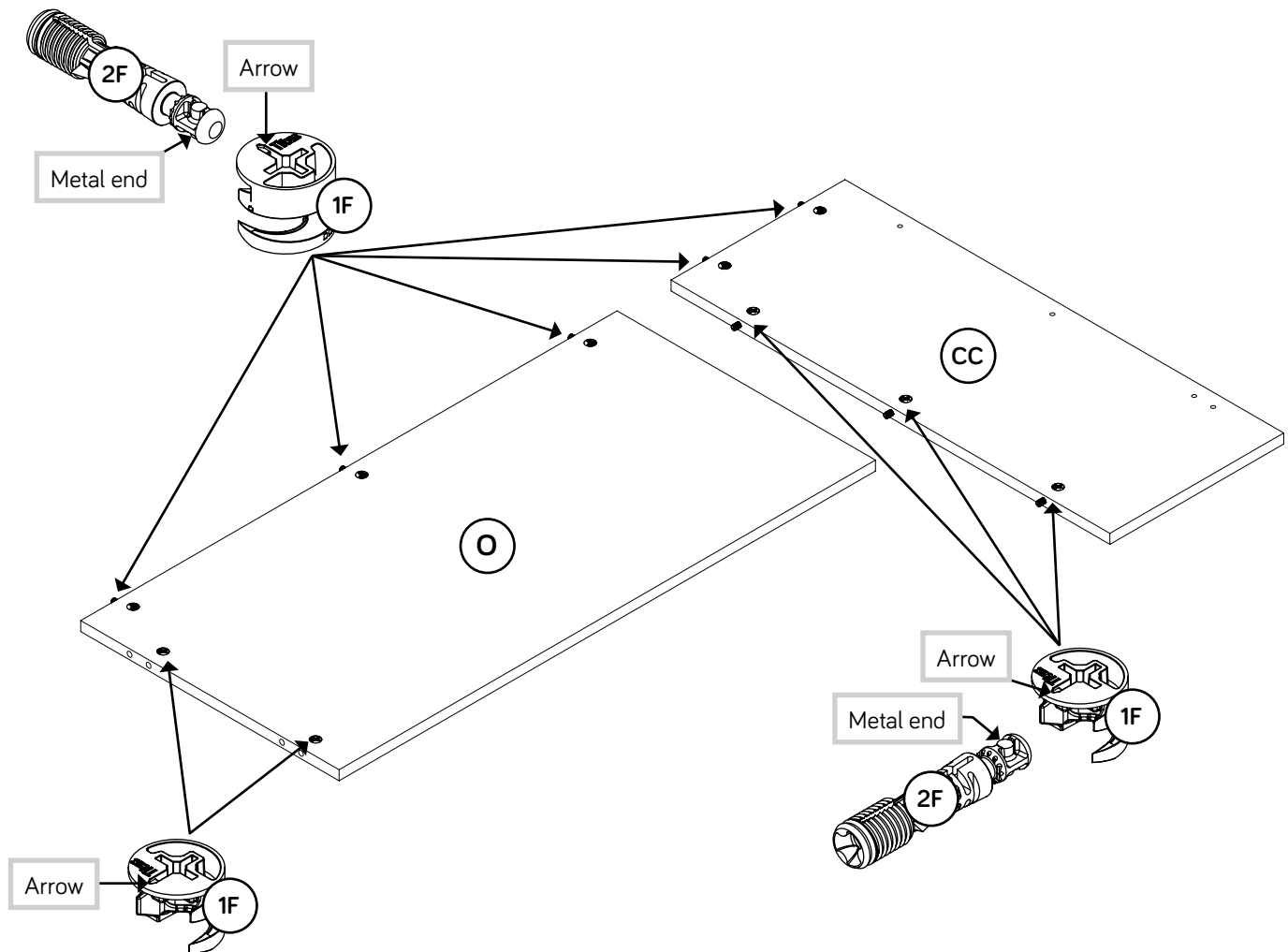
Insert the CAM SCREW into the HIDDEN CAM. Tighten the HIDDEN CAM.



Step 1

- ✚ Assemble your unit on a carpeted floor or on the empty carton to avoid scratching your unit or the floor.
- ✚ Push eight HIDDEN CAMS (1F) into the long edge of the SMALL MODESTY PANEL (O) and LEFT SUPPORT (CC). Then, insert the metal end of a CAM DOWEL (2F) into each HIDDEN CAM.
- ✚ Now, push two HIDDEN CAMS (1F) into the short edge of the SMALL MODESTY PANEL (O).

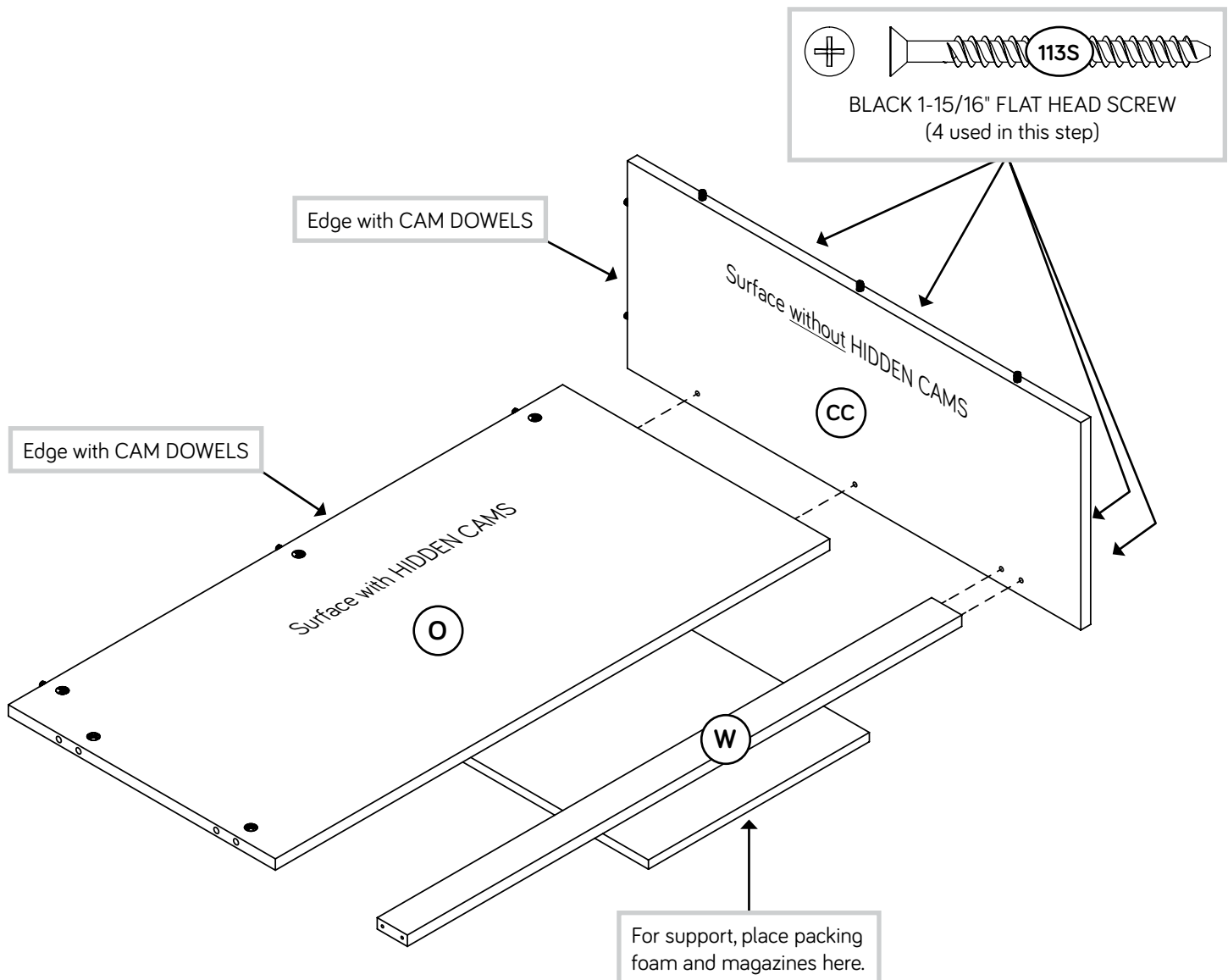
Do not tighten the HIDDEN CAMS in this step.



Step 2

Fasten the LEFT SUPPORT (CC) to the SMALL MODESTY PANEL (O) and SMALL BRACE (W). Use four BLACK 1-15/16" FLAT HEAD SCREWS (113S).

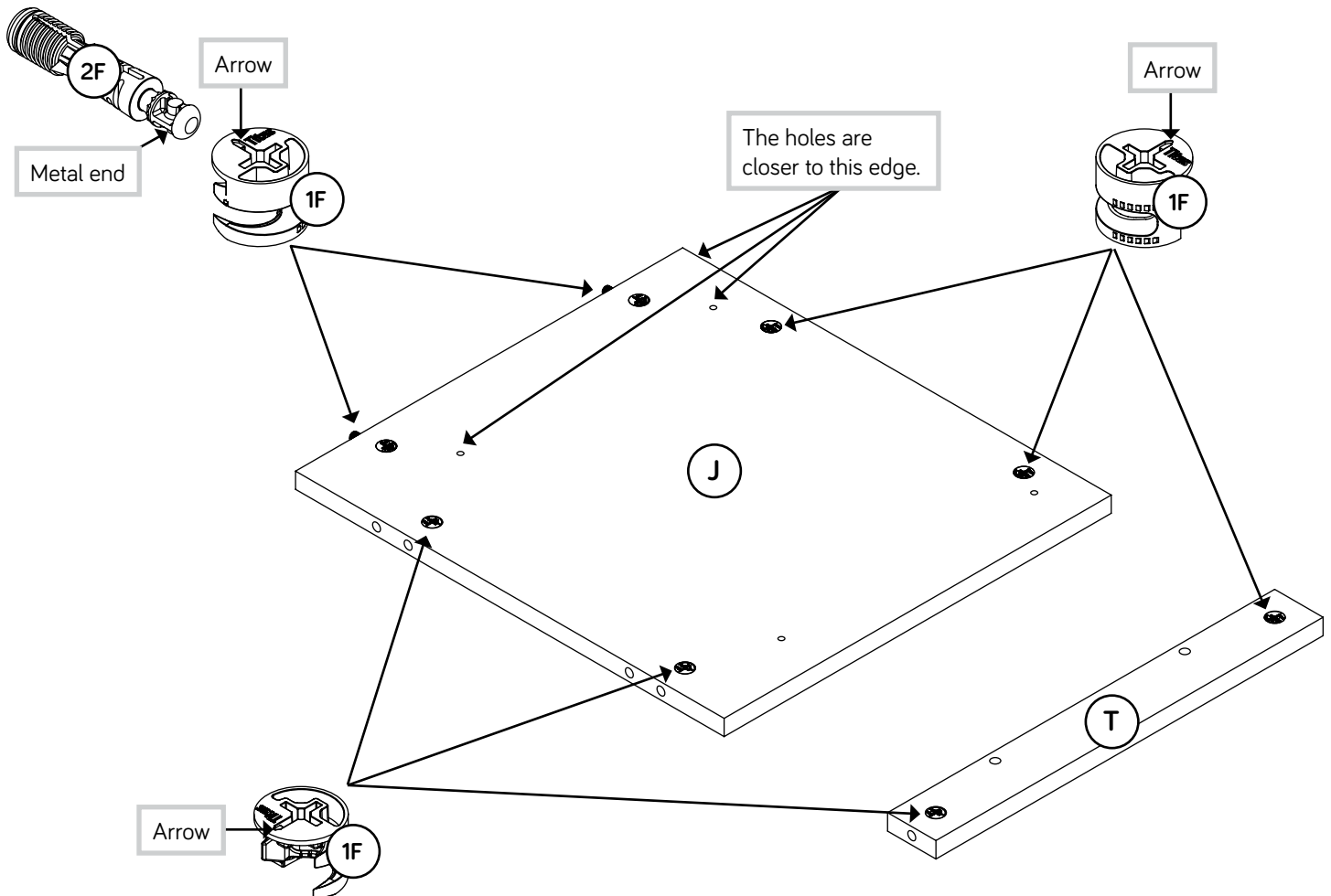
NOTE: You should start each SCREW a few turns before completely tightening any of them.



Step 3

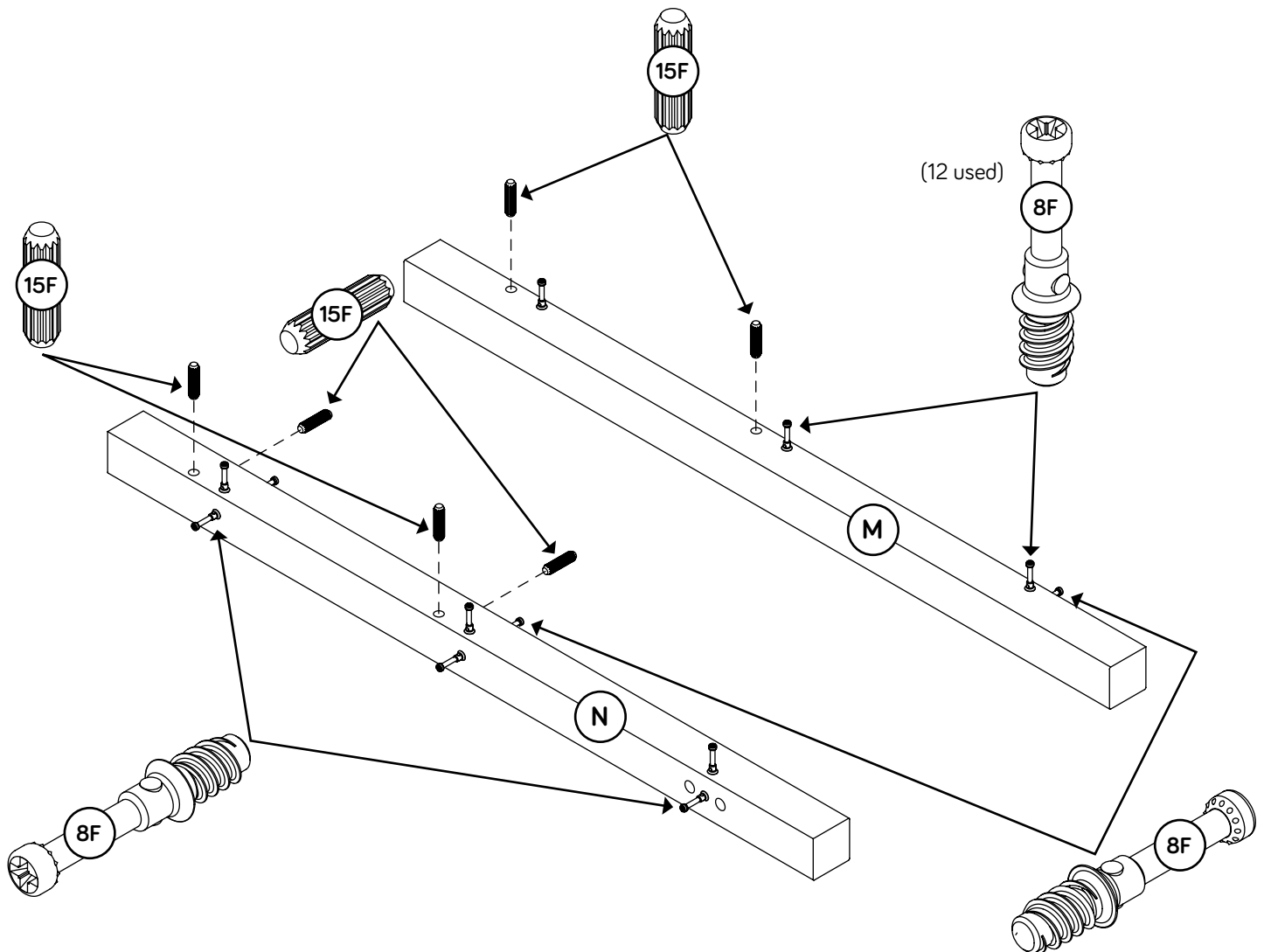
- ✦ Push two HIDDEN CAMS (1F) into the short edge of the UPRIGHT (J). Then, insert the metal end of a CAM DOWEL (2F) into each HIDDEN CAM.
- ✦ Now, push six HIDDEN CAMS (1F) into the UPRIGHT (J) and one SIDE SKIRT (T).

Do not tighten the HIDDEN CAMS in this step.



Step 4

- ✦ Turn twelve CAM SCREWS (8F) into the LEGS (M and N).
- ✦ Insert six WOOD DOWELS (15F) into the LEGS (M and N).

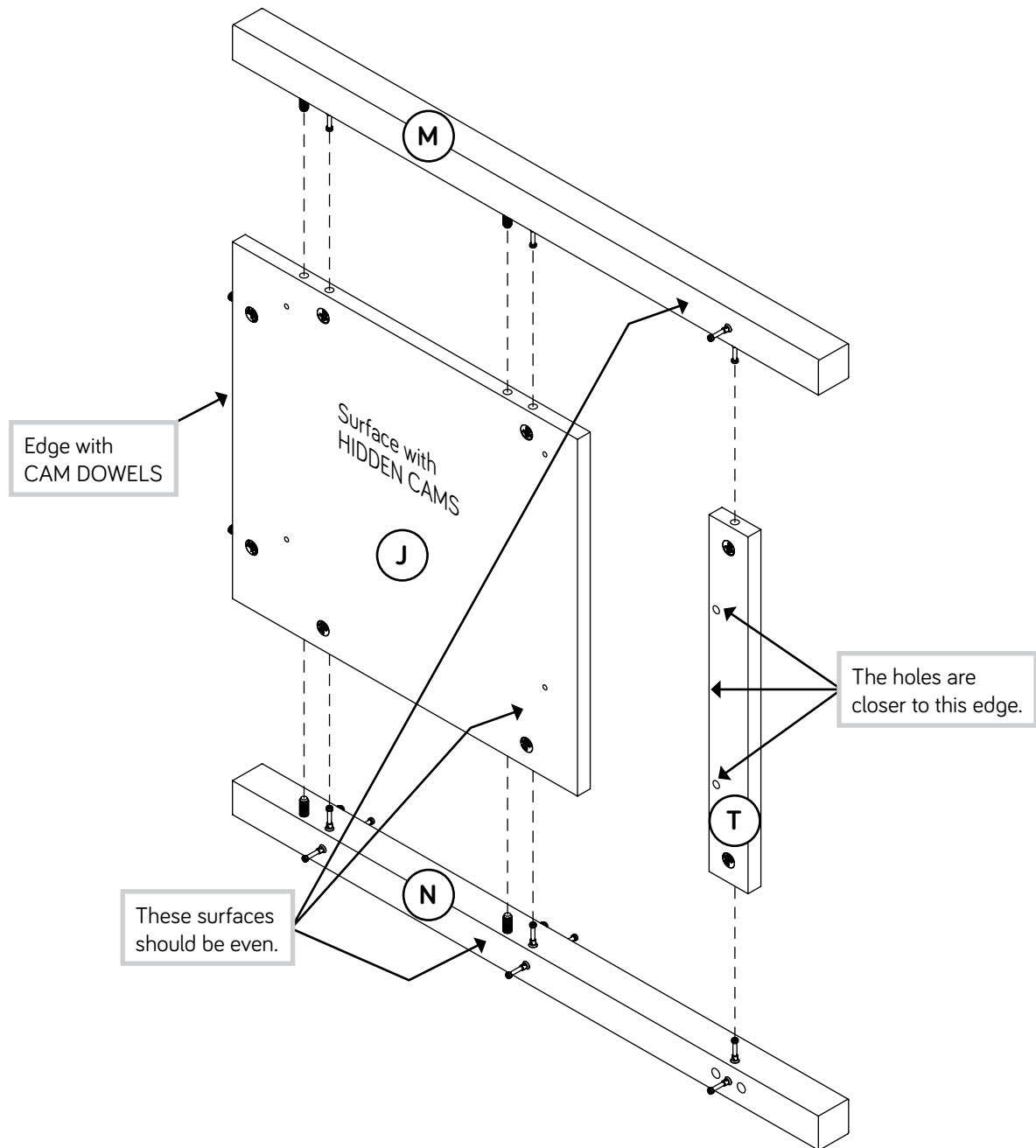


Step 5

- Fasten the LEGS (M and N) to the UPRIGHT (J) and SIDE SKIRT (T). Tighten six HIDDEN CAMS.
- NOTE:** Be sure the WOOD DOWELS in the LEGS insert into the UPRIGHT.

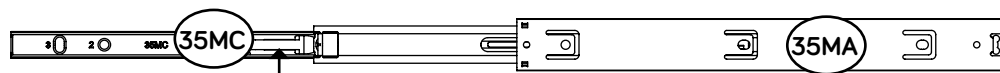


Some assembly
(and snacks) required.

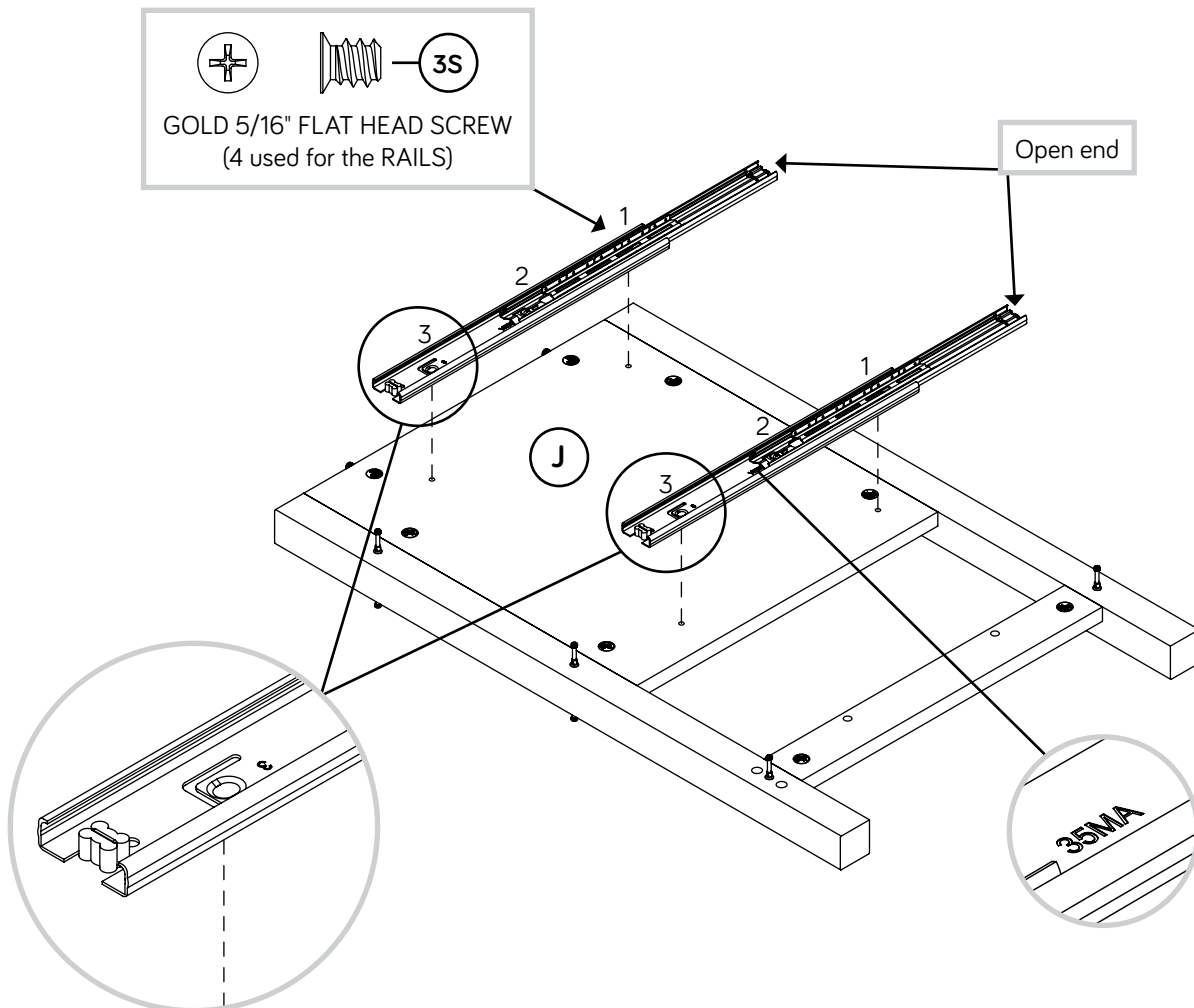


Step 6

- ✦ Separate the EXTENSION SLIDES (35MC) from the EXTENSION RAILS (35MA) as shown in the upper diagram below. Be prepared, the parts are greasy.
- ✦ Fasten two EXTENSION RAILS (35MA) to the UPRIGHT (J). Use four GOLD 5/16" FLAT HEAD SCREWS (3S) through holes #1 and #3.
- ✦ NOTE: For each EXTENSION RAIL, turn a SCREW into the hole shown in the enlarged diagram. Then, slide the inner cartridge of the EXTENSION RAIL in to find the other hole that lines up with the hole in the UPRIGHT. Turn a SCREW into this hole.
- ✦ NOTE: The EXTENSION SLIDES (35MC) will be used later for the DRAWERS.

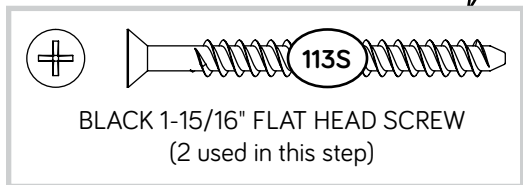
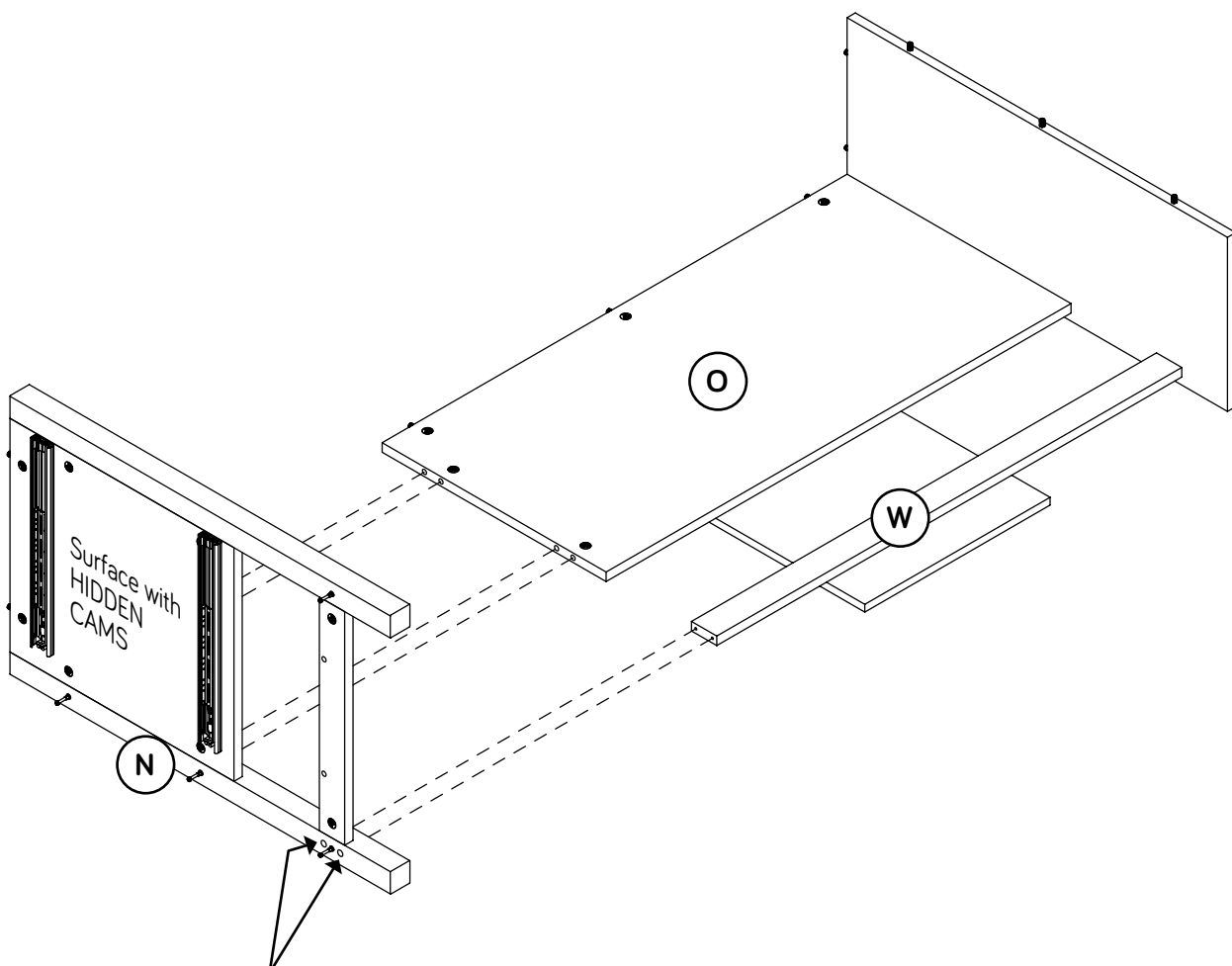


Push the black lever in and pull the SLIDE from the RAIL.



Step 7

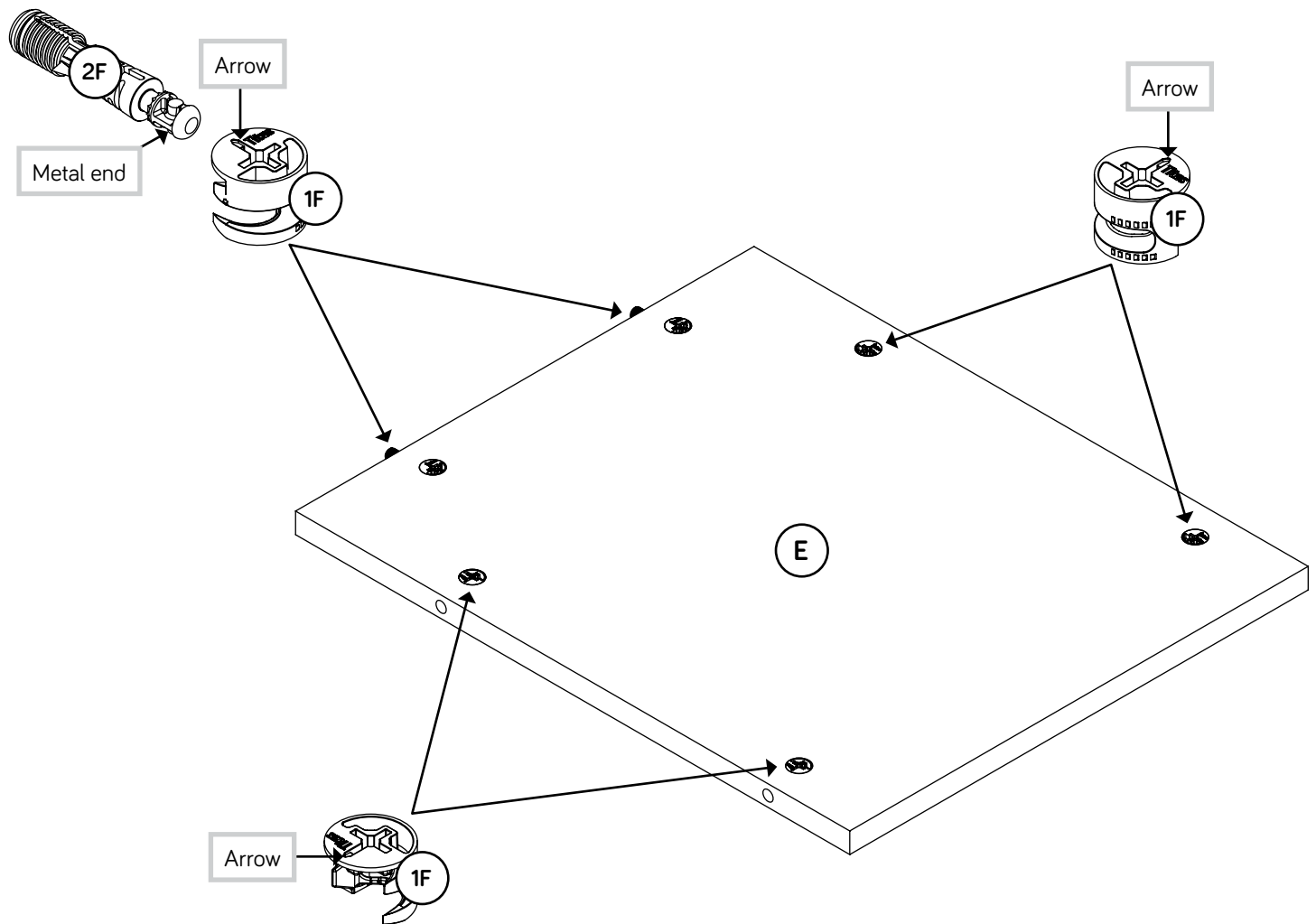
- ✚ Fasten the CENTER REAR LEG (N) to the SMALL MODESTY PANEL (O). Tighten two HIDDEN CAMS.
- ✚ NOTE: Be sure the WOOD DOWELS in the LEG insert into the MODESTY PANEL.
- ✚ Fasten the CENTER REAR LEG (N) to the SMALL BRACE (W). Use two BLACK 1-15/16" FLAT HEAD SCREWS (113S).
- ✚ NOTE: You should start each SCREW a few turns before completely tightening any of them.



Step 8

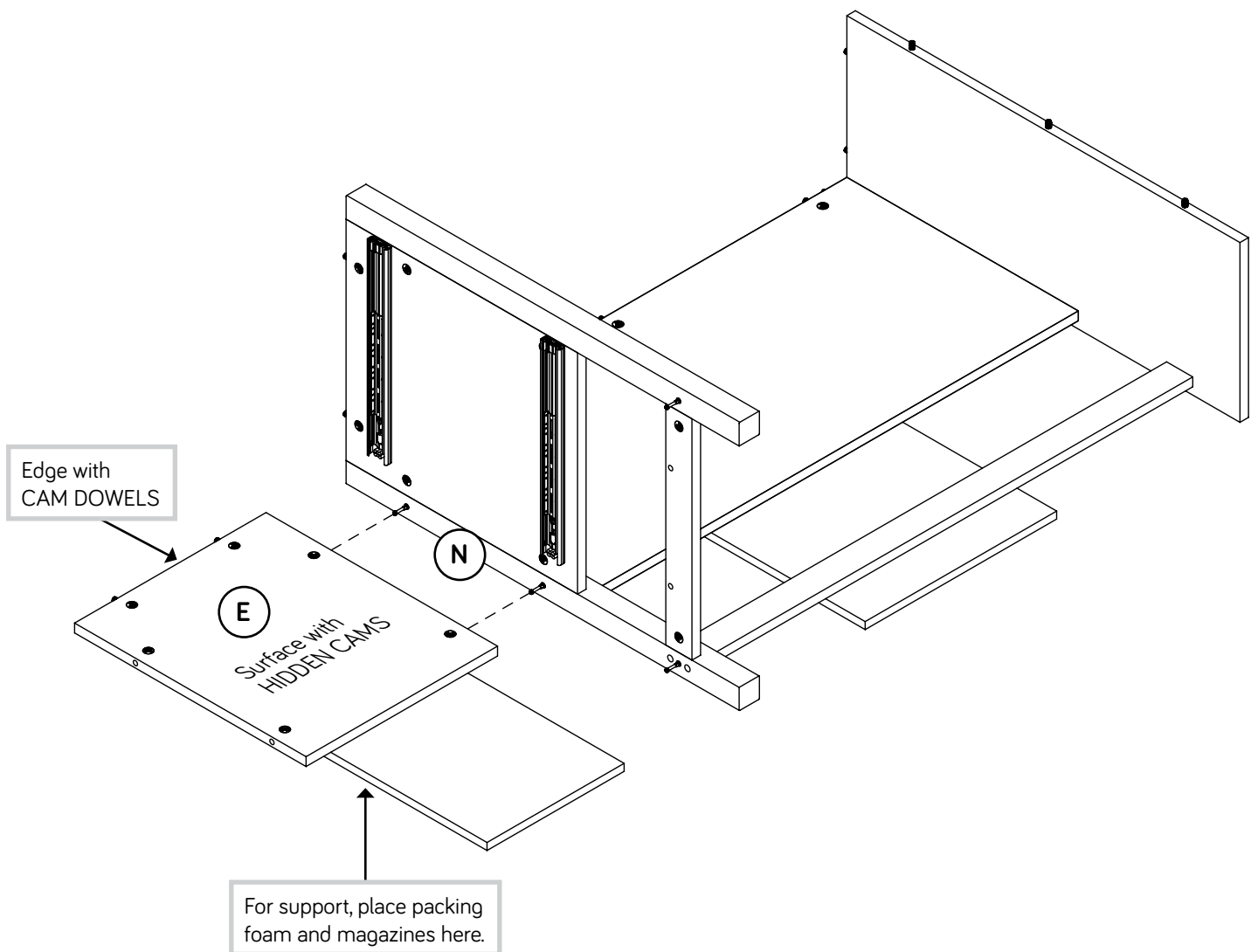
- Push two HIDDEN CAMS (1F) into the short edge of the BACK (E). Then, insert the metal end of a CAM DOWEL (2F) into each HIDDEN CAM.
- Now, push four HIDDEN CAMS (1F) into the remaining holes in the BACK (E).

Do not tighten the HIDDEN CAMS in this step.



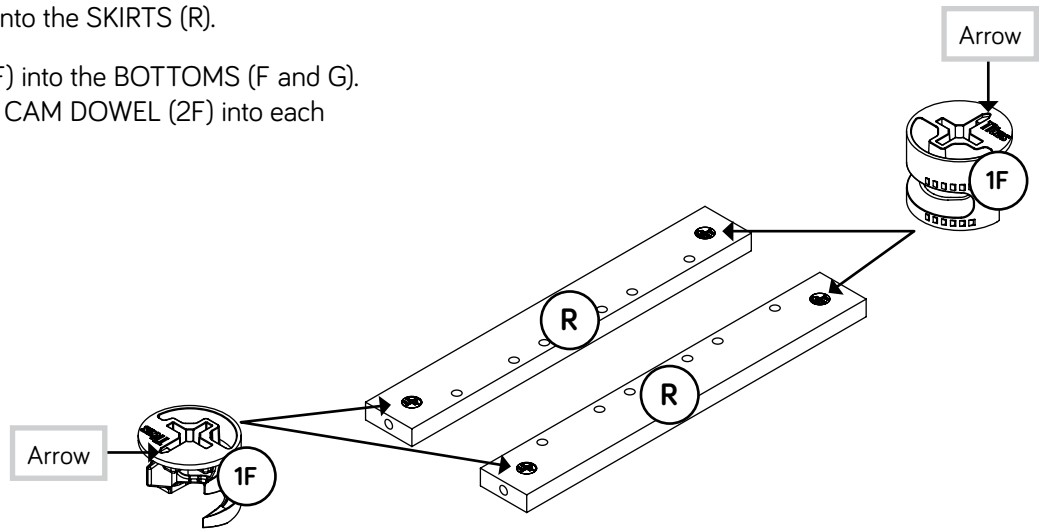
Step 9

- Fasten the BACK (E) to the CENTER REAR LEG (N).
Tighten two HIDDEN CAMS.

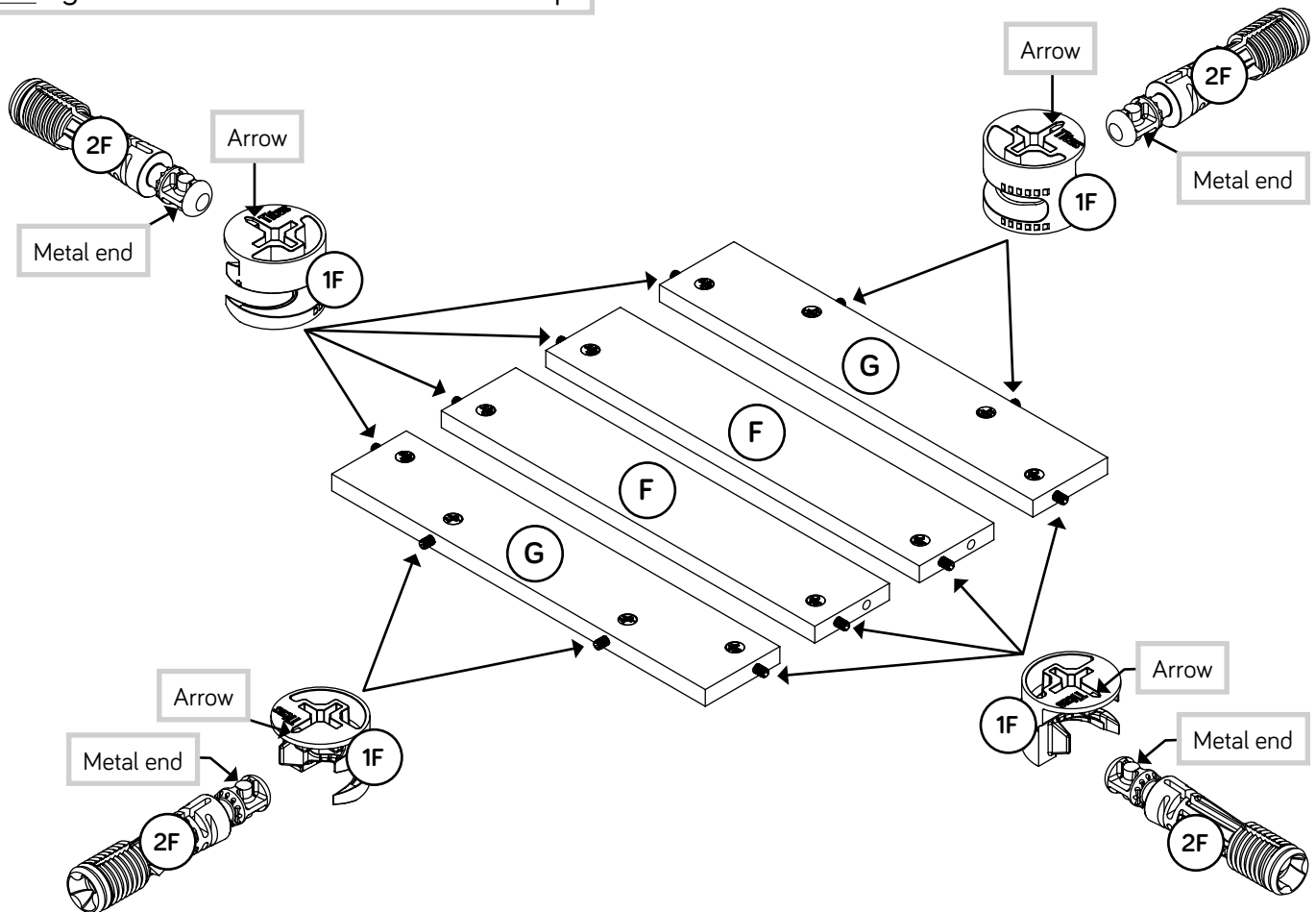


Step 10

- Push four HIDDEN CAMS (1F) into the SKIRTS (R).
- Push twelve HIDDEN CAMS (1F) into the BOTTOMS (F and G). Then, insert the metal end of a CAM DOWEL (2F) into each HIDDEN CAM.

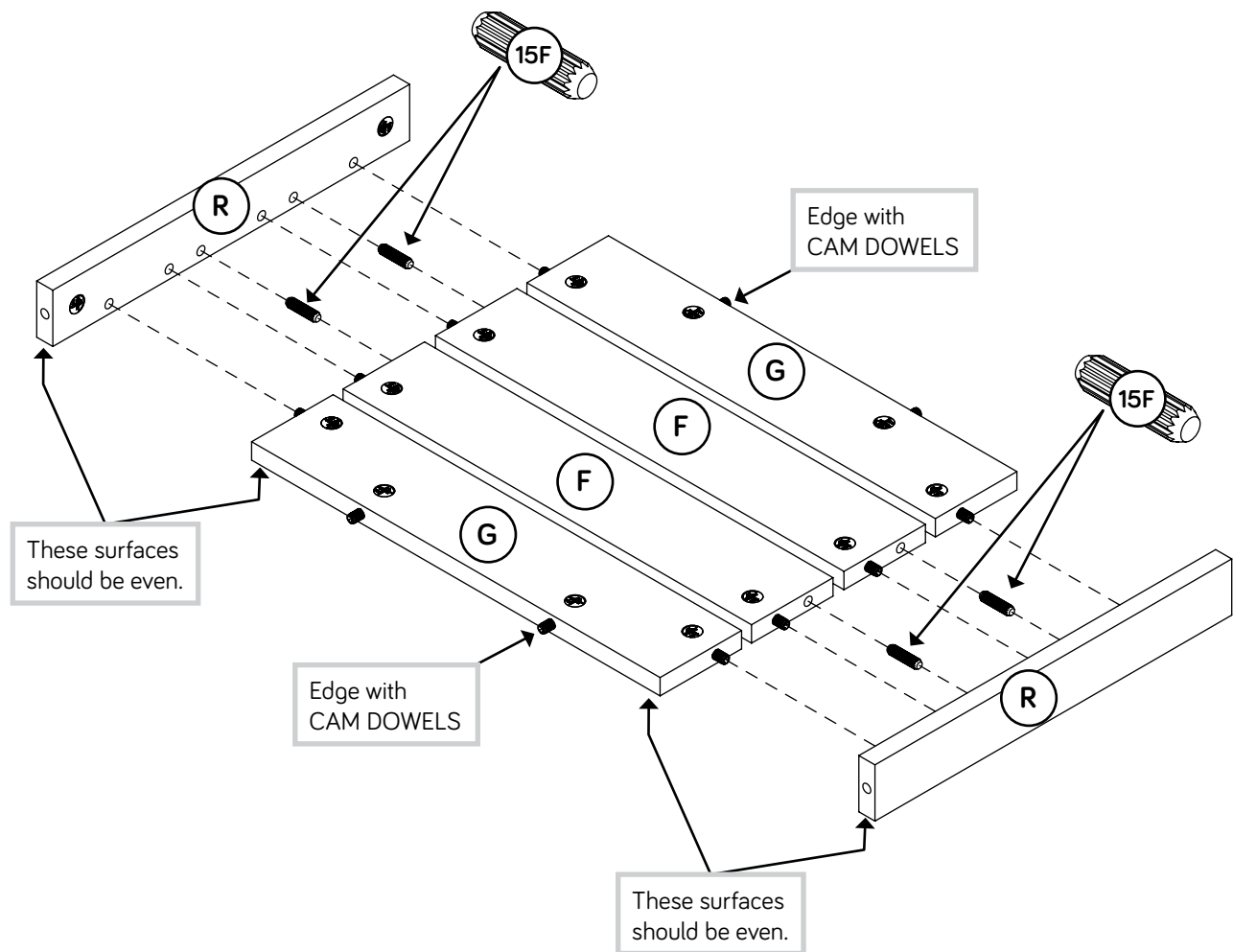


Do not tighten the HIDDEN CAMS in this step.



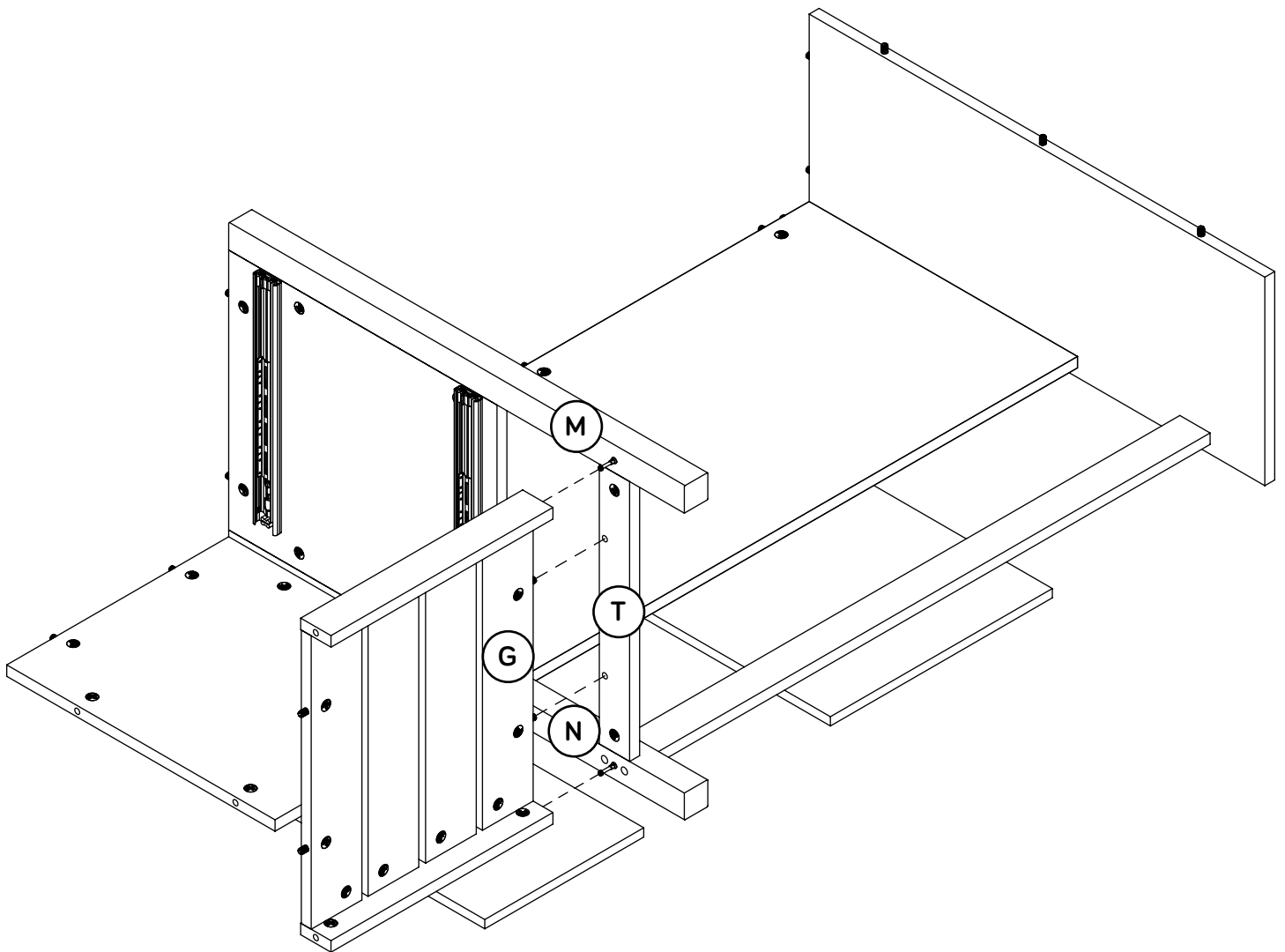
Step 11

- ✚ Insert four WOOD DOWELS (15F) into the INNER BOTTOMS (F).
- ✚ Fasten the SKIRTS (R) to the BOTTOMS (F and G). Tighten eight HIDDEN CAMS.
- ✚ NOTE: Be sure the WOOD DOWELS in the INNER BOTTOMS insert into the SKIRTS.



Step 12

- Fasten one of the OUTER BOTTOMS (G) to the LEGS (M and N) and SIDE SKIRT (T). Tighten four HIDDEN CAMS.



Step 13

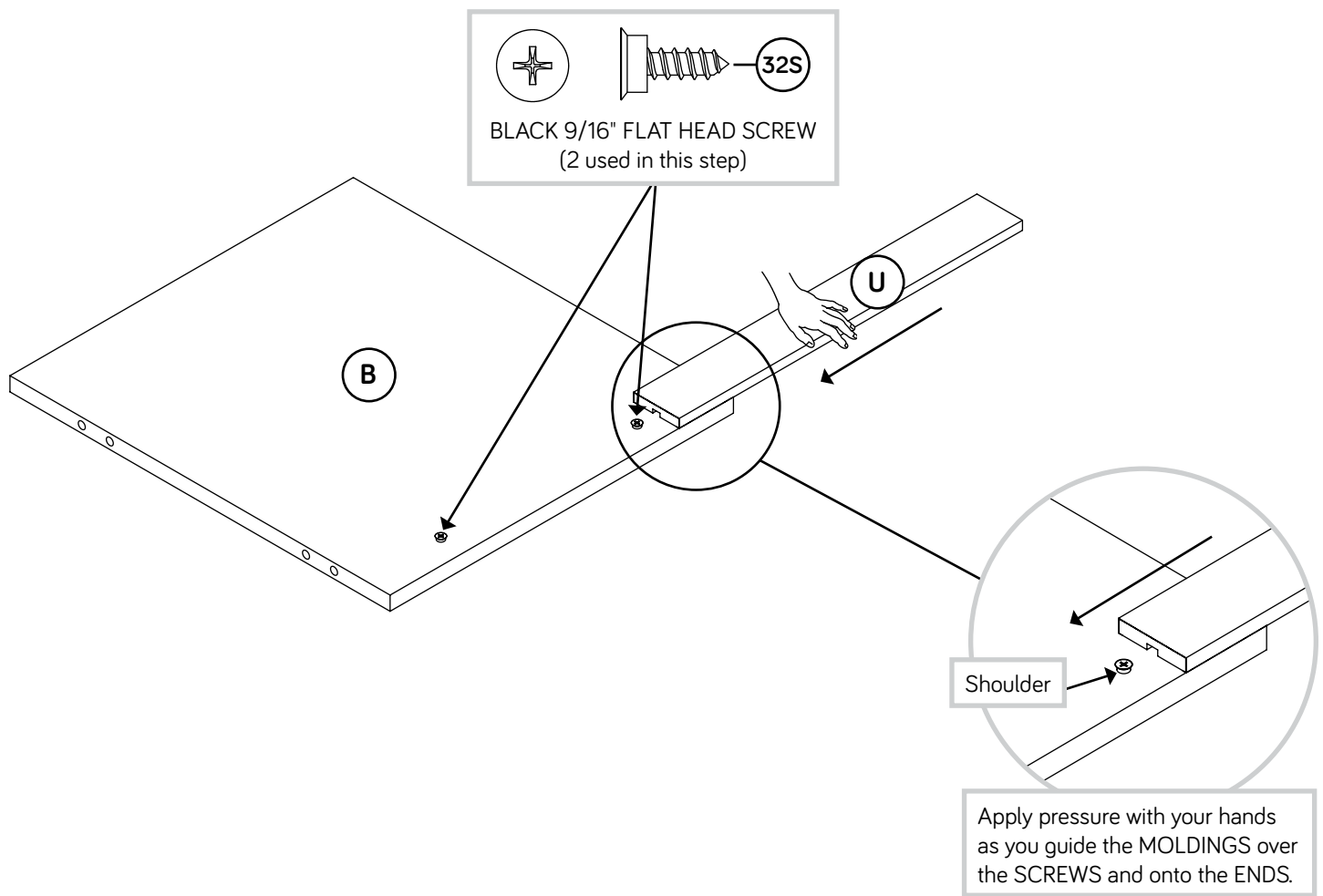
Turn two BLACK 9/16" FLAT HEAD SCREWS (32S) into the LEFT END (B) until the shoulders of the SCREWS rest on the surface of the END.

NOTE: Do not overtighten the SCREWS.

Slide one END MOLDING (U) onto the LEFT END (B). Line up the grooves in the MOLDING over the heads of the SCREWS in the END.

NOTE: The MOLDING should be centered on the END.

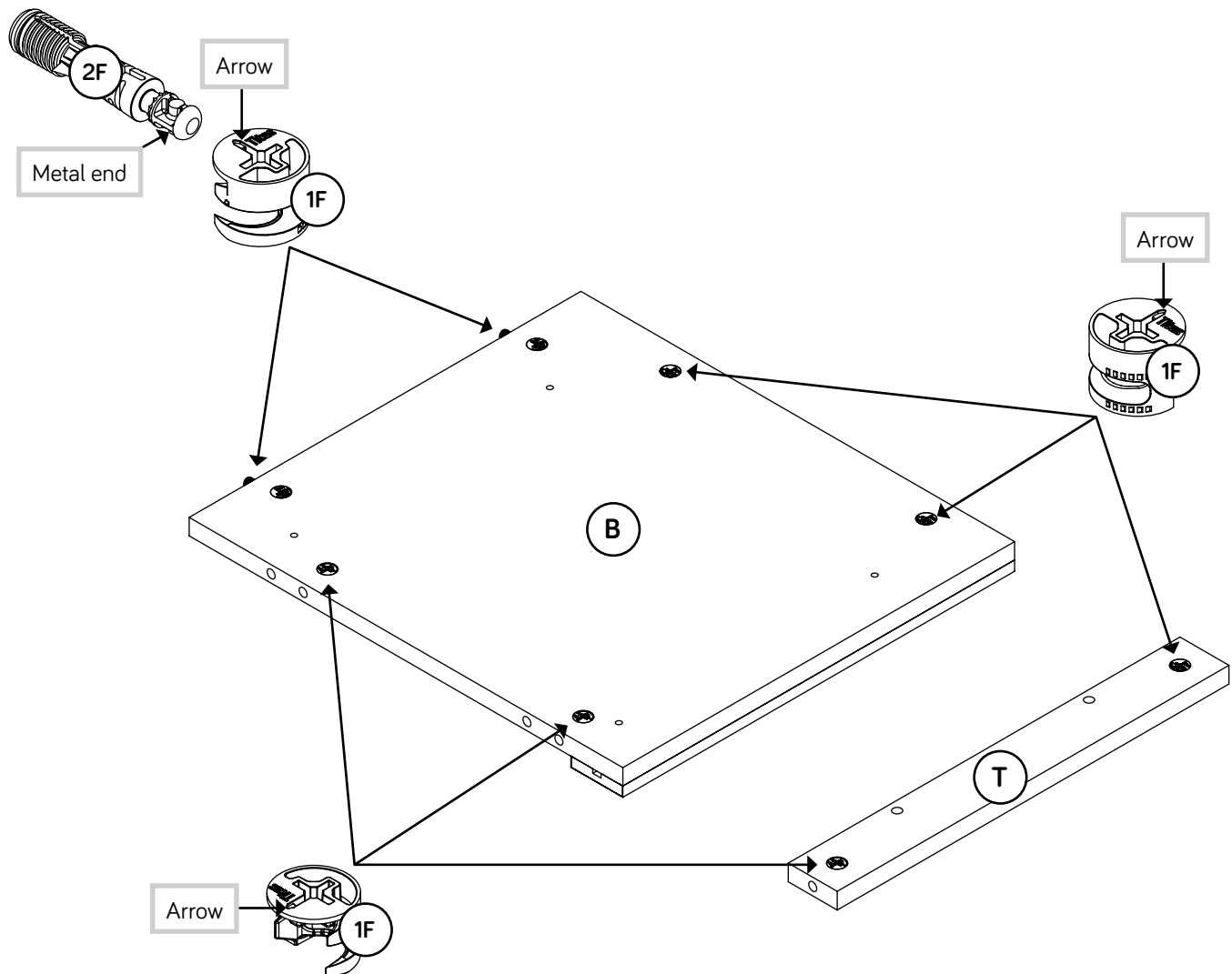
NOTE: If the MOLDING comes up off of the SCREWS, remove it and slide it on again.



Step 14

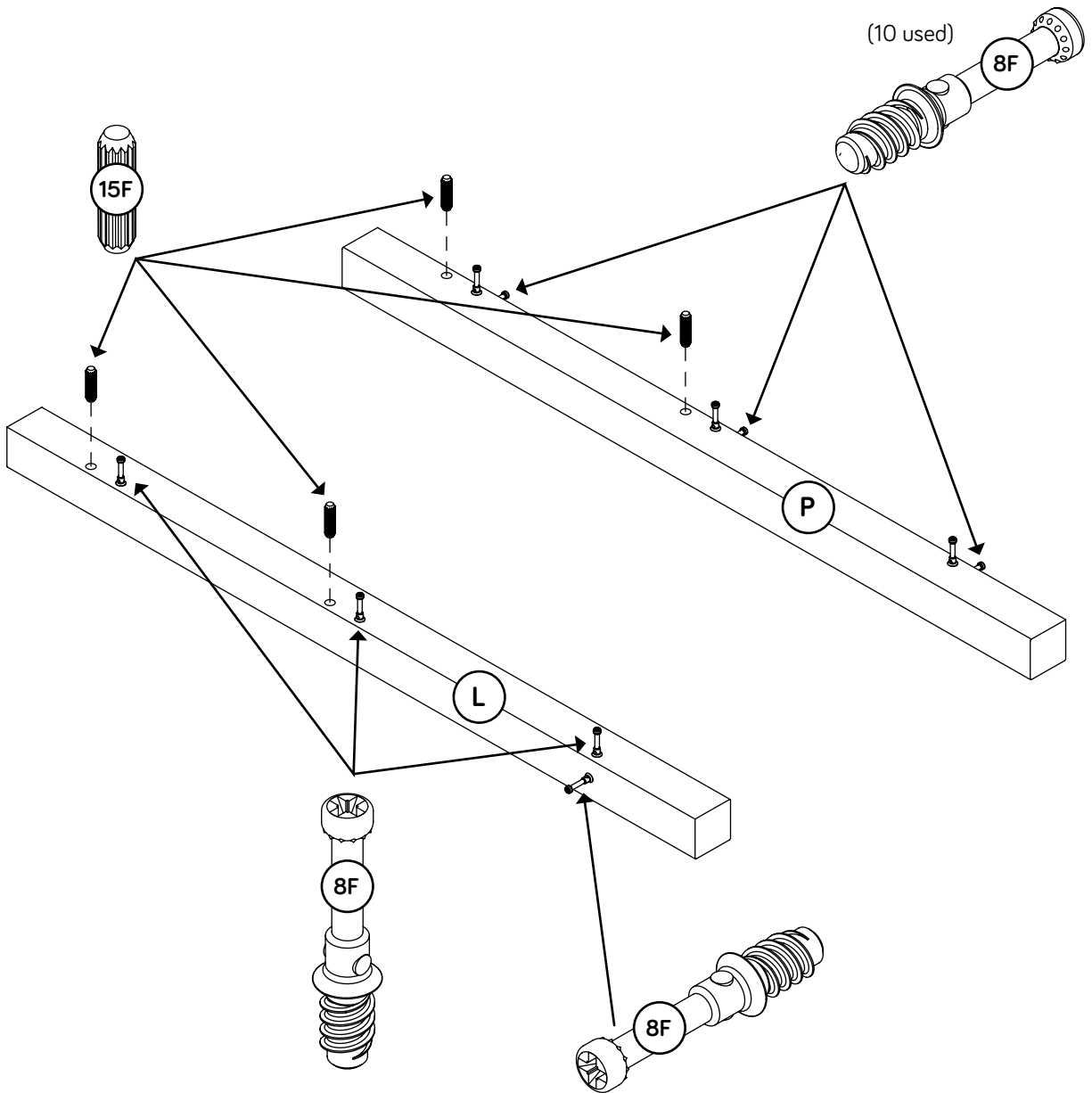
- ✦ Push two HIDDEN CAMS (1F) into the short edge of the LEFT END (B). Then, insert the metal end of a CAM DOWEL (2F) into each HIDDEN CAM.
- ✦ Now, push six HIDDEN CAMS (1F) into the LEFT END (B) and remaining SIDE SKIRT (T).

Do not tighten the HIDDEN CAMS in this step.



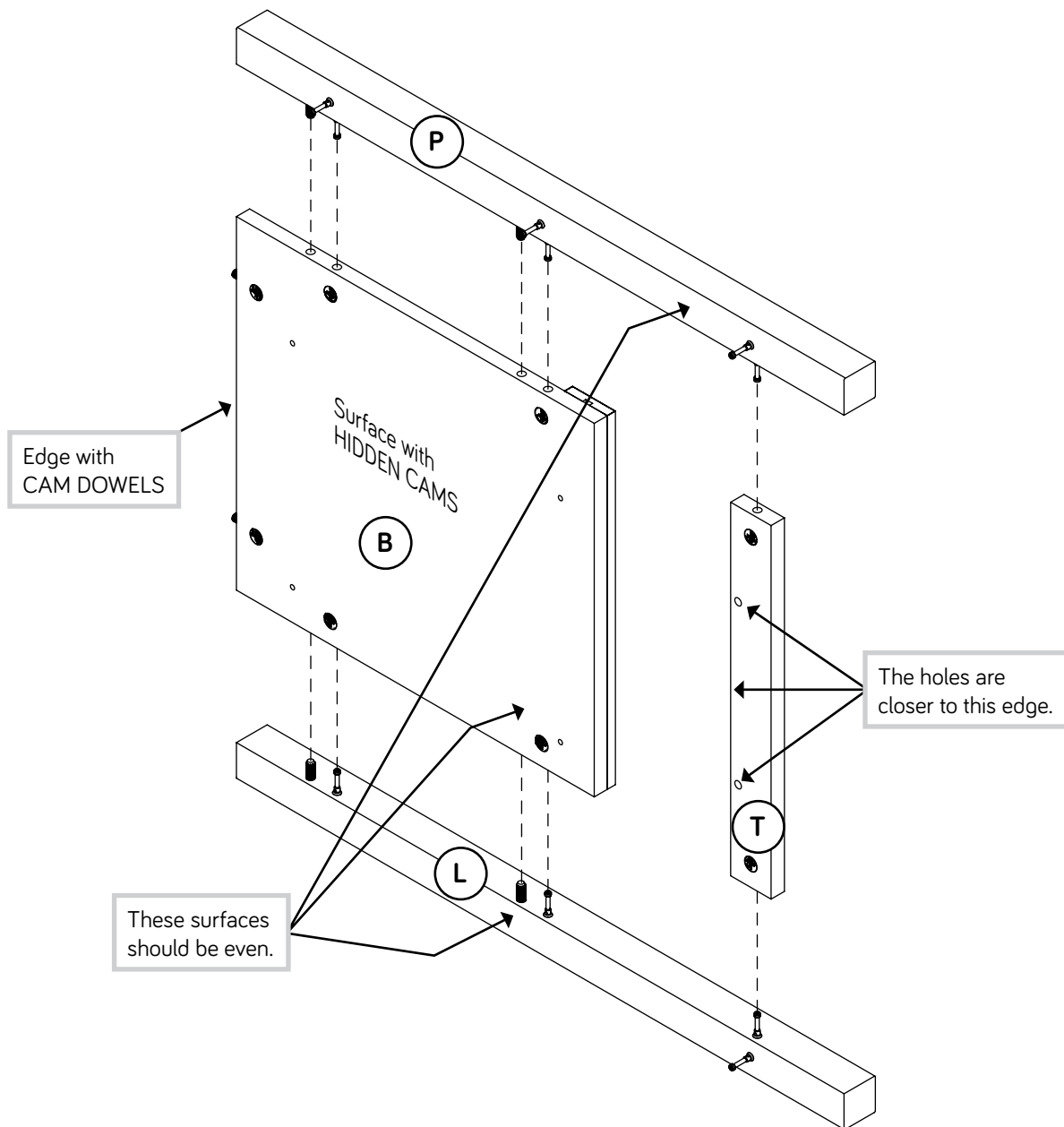
Step 15

- ✚ Insert four WOOD DOWELS (15F) into the LEGS (L and P).
- ✚ Turn ten CAM SCREWS (8F) into the LEGS (L and P).



Step 16

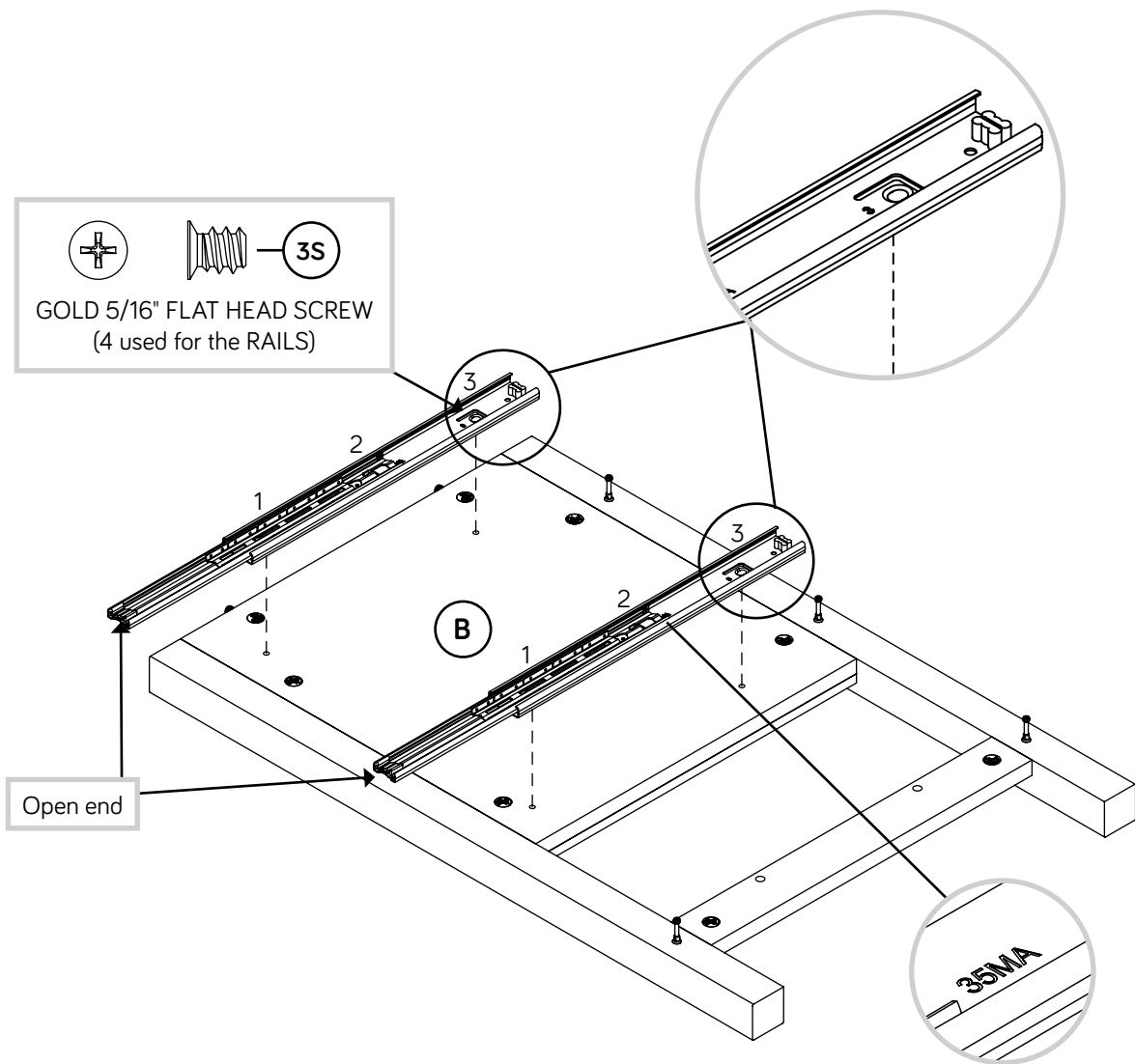
- Fasten the LEGS (L and P) to the LEFT END (B) and SIDE SKIRT (T). Tighten six HIDDEN CAMS.
- NOTE:** Be sure the WOOD DOWELS in the LEGS insert into the END.



Step 17

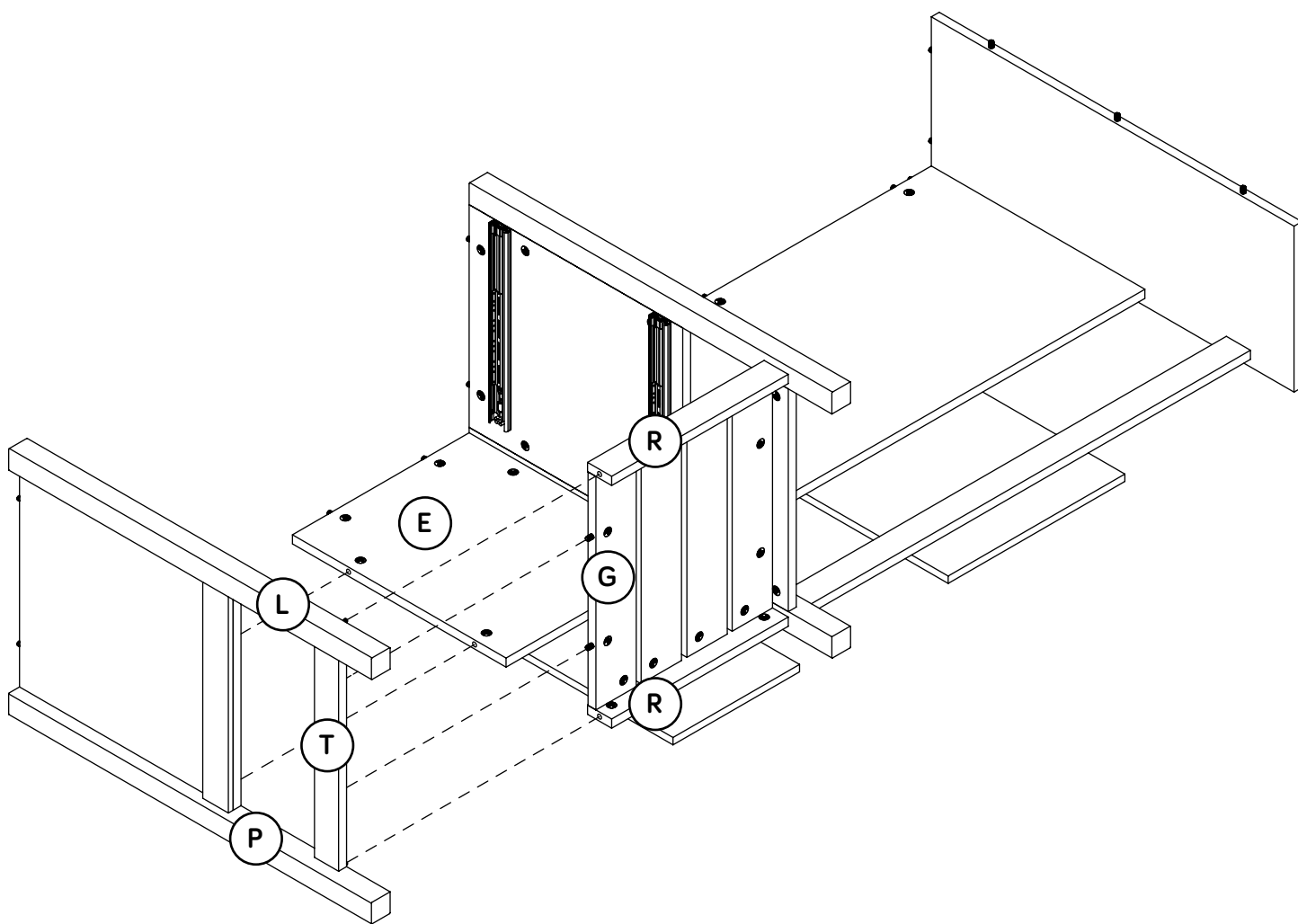
Fasten two EXTENSION RAILS (35MA) to the LEFT END (B). Use four GOLD 5/16" FLAT HEAD SCREWS (3S) through holes #1 and #3.

NOTE: For each EXTENSION RAIL, turn a SCREW into the hole shown in the enlarged diagram. Then, slide the inner cartridge of the EXTENSION RAIL in to find the other hole that lines up with the hole in the END. Turn a SCREW into this hole.



Step 18

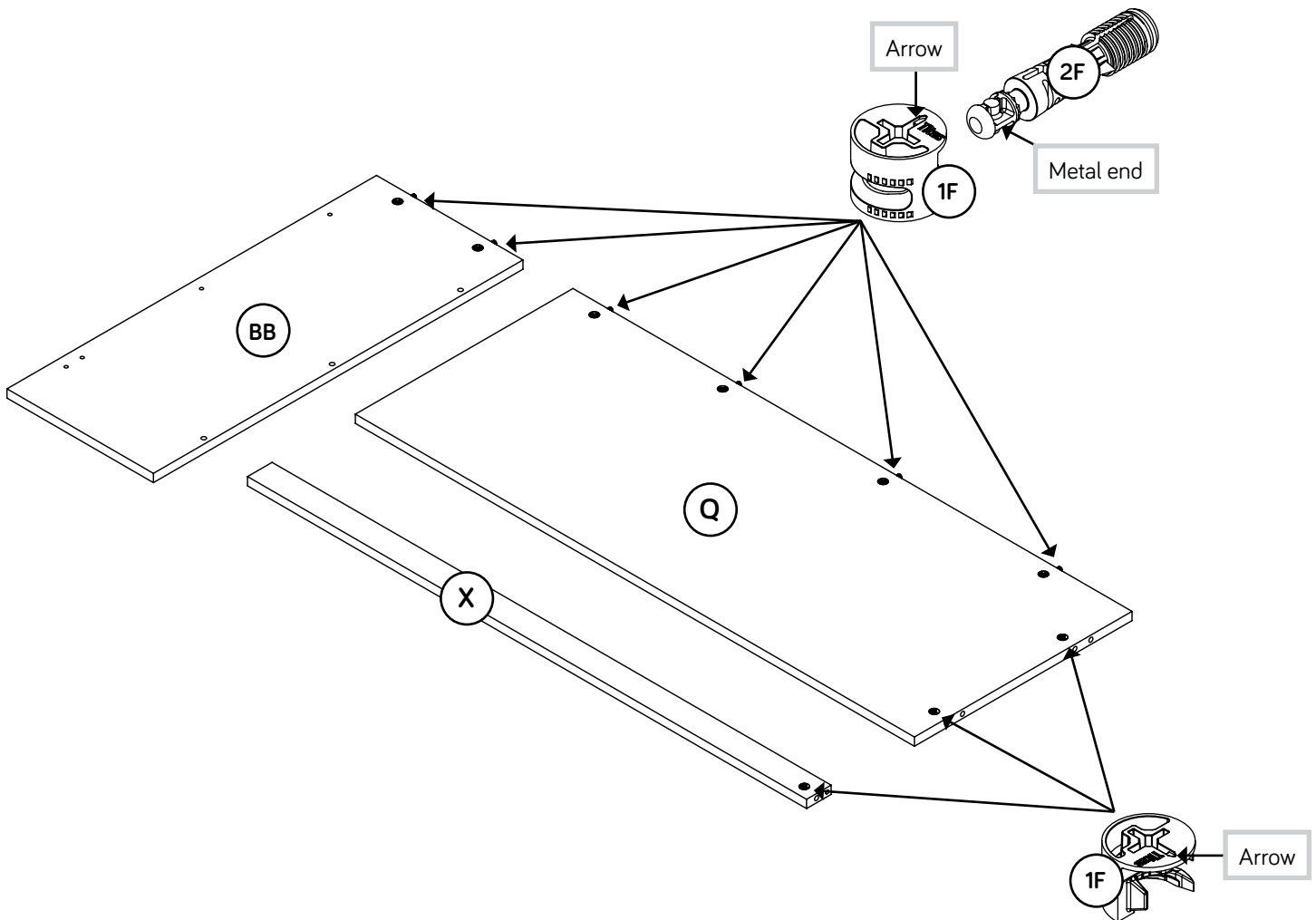
- ✚ Fasten the LEFT REAR LEG (P) to the BACK (E) and back SKIRT (R). Tighten three HIDDEN CAMS.
- ✚ Fasten the SIDE SKIRT (T) to the OUTER BOTTOM (G). Tighten two HIDDEN CAMS.
- ✚ Fasten the LEFT FRONT LEG (L) to the front SKIRT (R). Tighten one HIDDEN CAM.



Step 19

- ✚ Push six HIDDEN CAMS (1F) into the long edge of the LARGE MODESTY PANEL (Q) and RIGHT SUPPORT (BB). Then, insert the metal end of a CAM DOWEL (2F) into each HIDDEN CAM.
- ✚ Now, push three HIDDEN CAMS (1F) into the short edge of the LARGE MODESTY PANEL (Q) and LARGE BRACE (X).

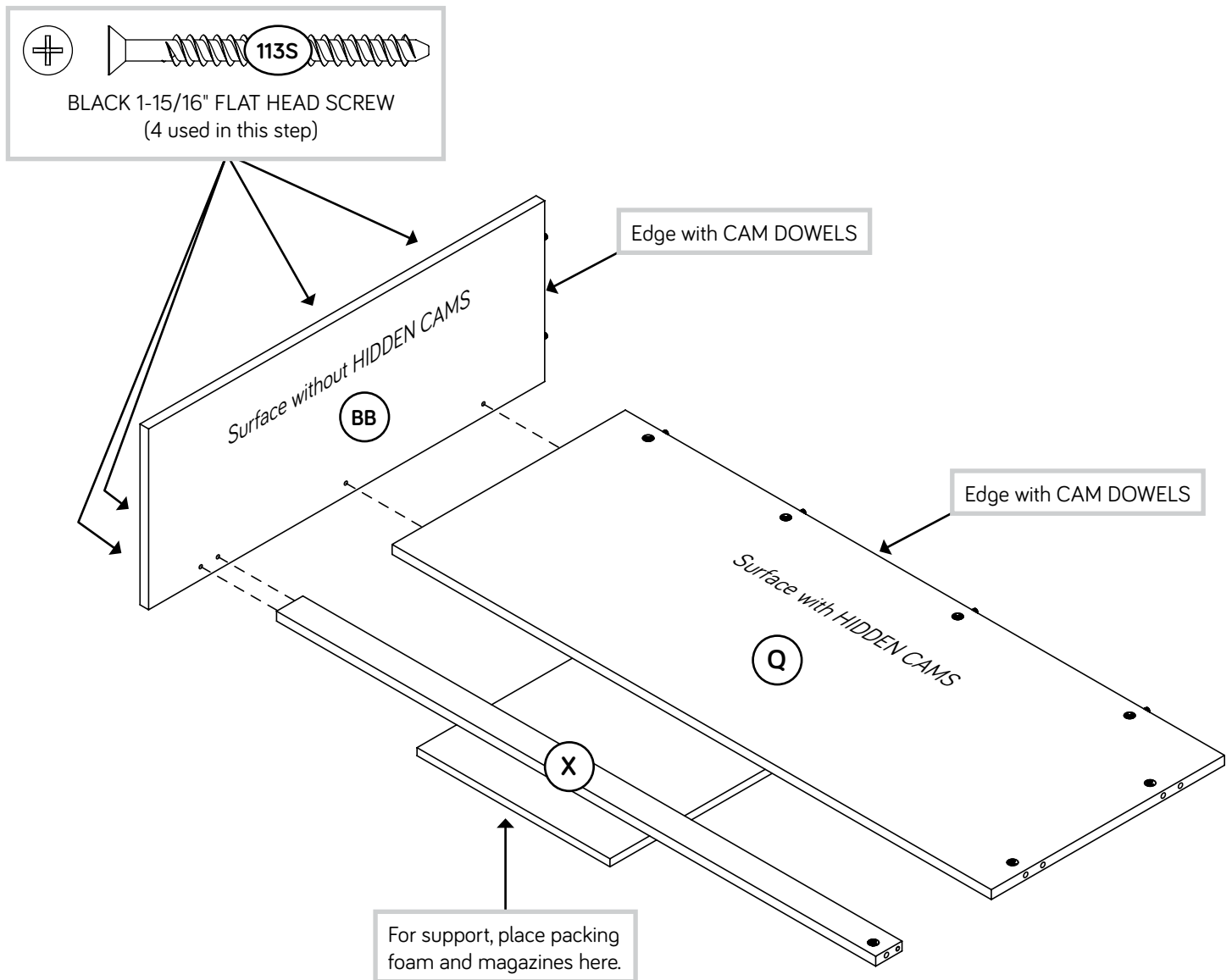
Do not tighten the HIDDEN CAMS in this step.



Step 20

Fasten the RIGHT SUPPORT (BB) to the LARGE MODESTY PANEL (Q) and LARGE BRACE (X). Use four BLACK 1-15/16" FLAT HEAD SCREWS (113S).

NOTE: You should start each SCREW a few turns before completely tightening any of them.



Step 21

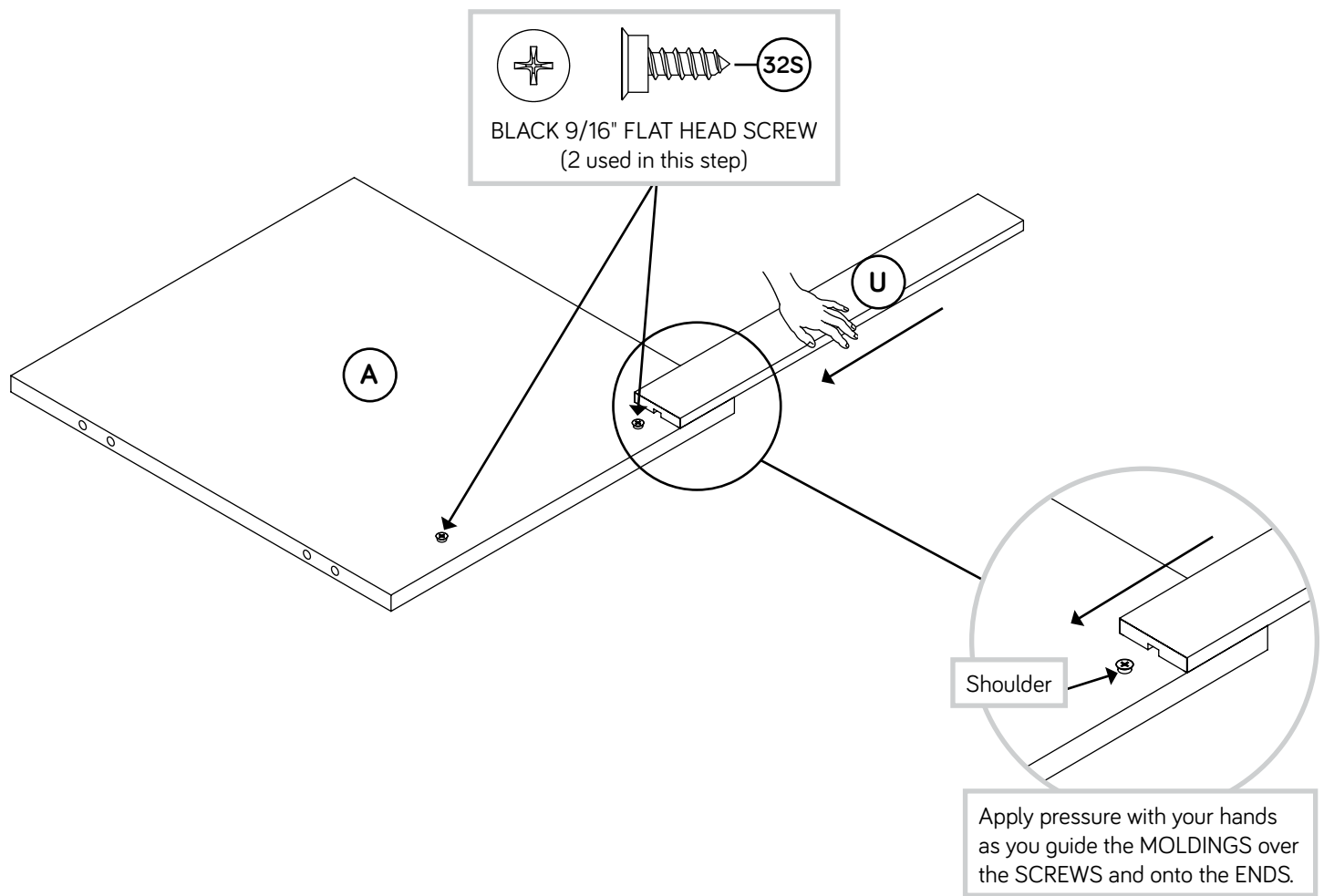
✚ Turn two BLACK 9/16" FLAT HEAD SCREWS (32S) into the RIGHT END (A) until the shoulders of the SCREWS rest on the surface of the END.

✚ NOTE: Do not overtighten the SCREWS.

✚ Slide one END MOLDING (U) onto the RIGHT END (A). Line up the grooves in the MOLDING over the heads of the SCREWS in the END.

✚ NOTE: The MOLDING should be centered on the END.

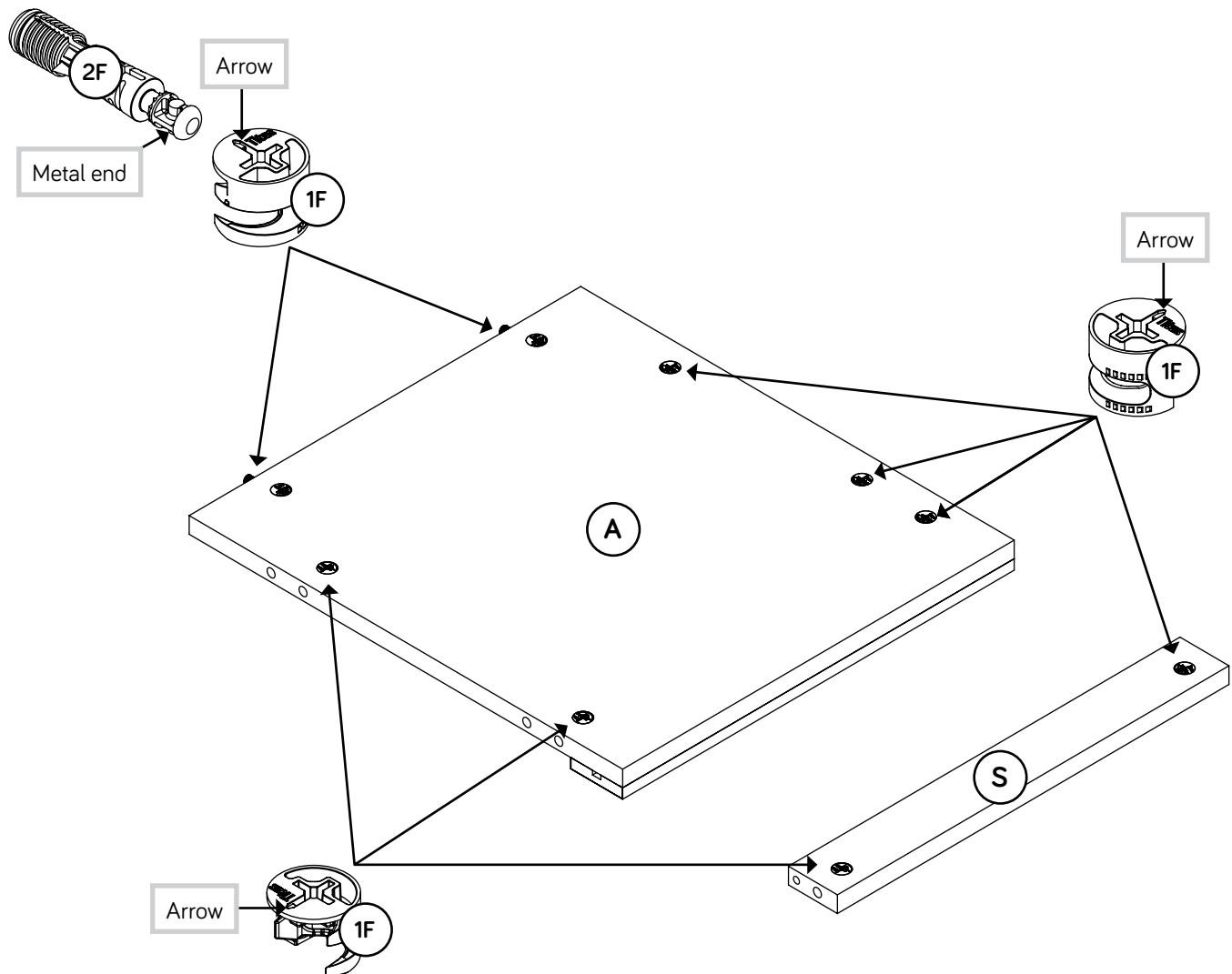
✚ NOTE: If the MOLDING comes up off of the SCREWS, remove it and slide it on again.



Step 22

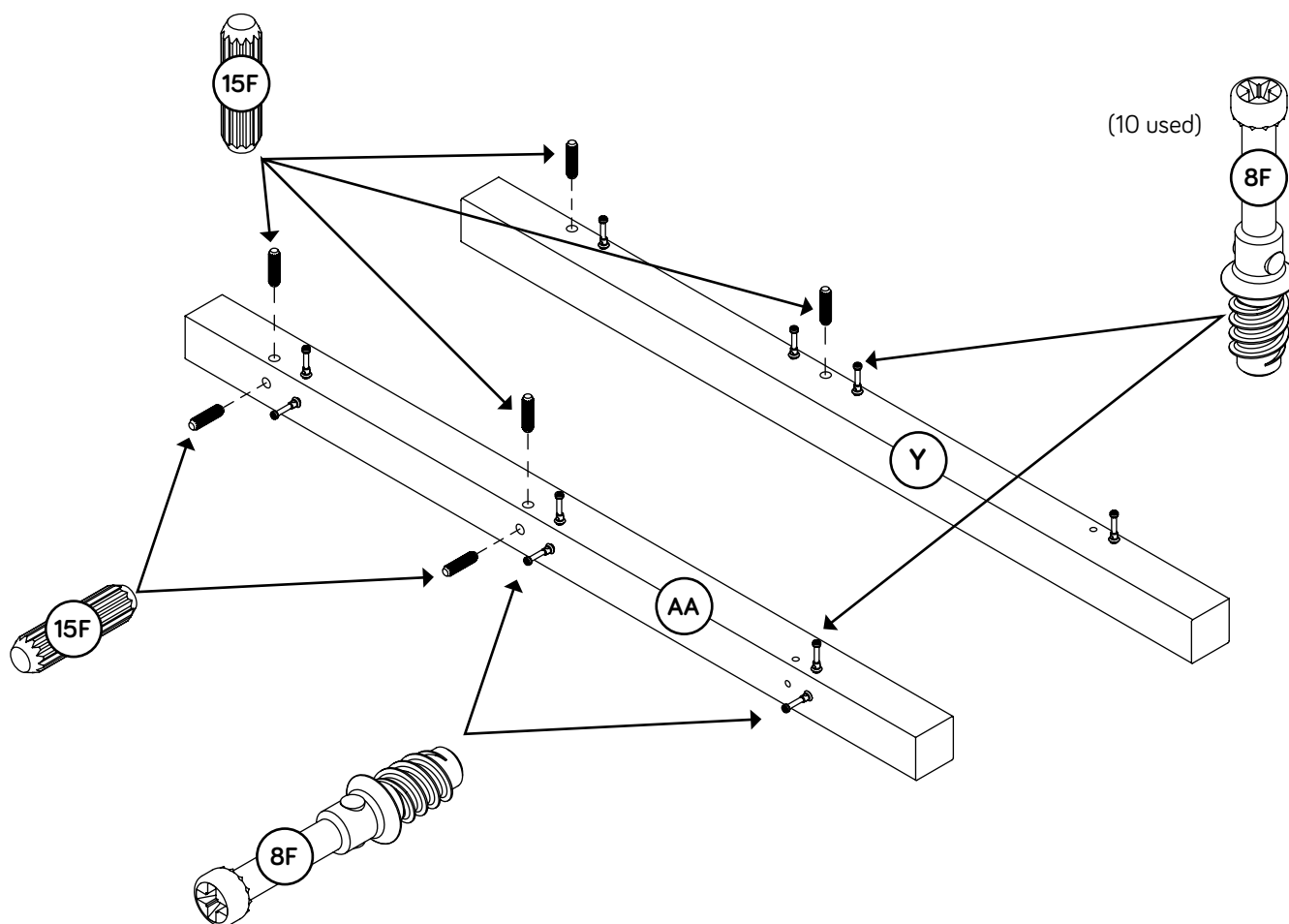
- ✦ Push two HIDDEN CAMS (1F) into the short edge of the RIGHT END (A). Then, insert the metal end of a CAM DOWEL (2F) into each HIDDEN CAM.
- ✦ Now, push seven HIDDEN CAMS (1F) into the RIGHT END (A) and RIGHT END SKIRT (S).

Do not tighten the HIDDEN CAMS in this step.



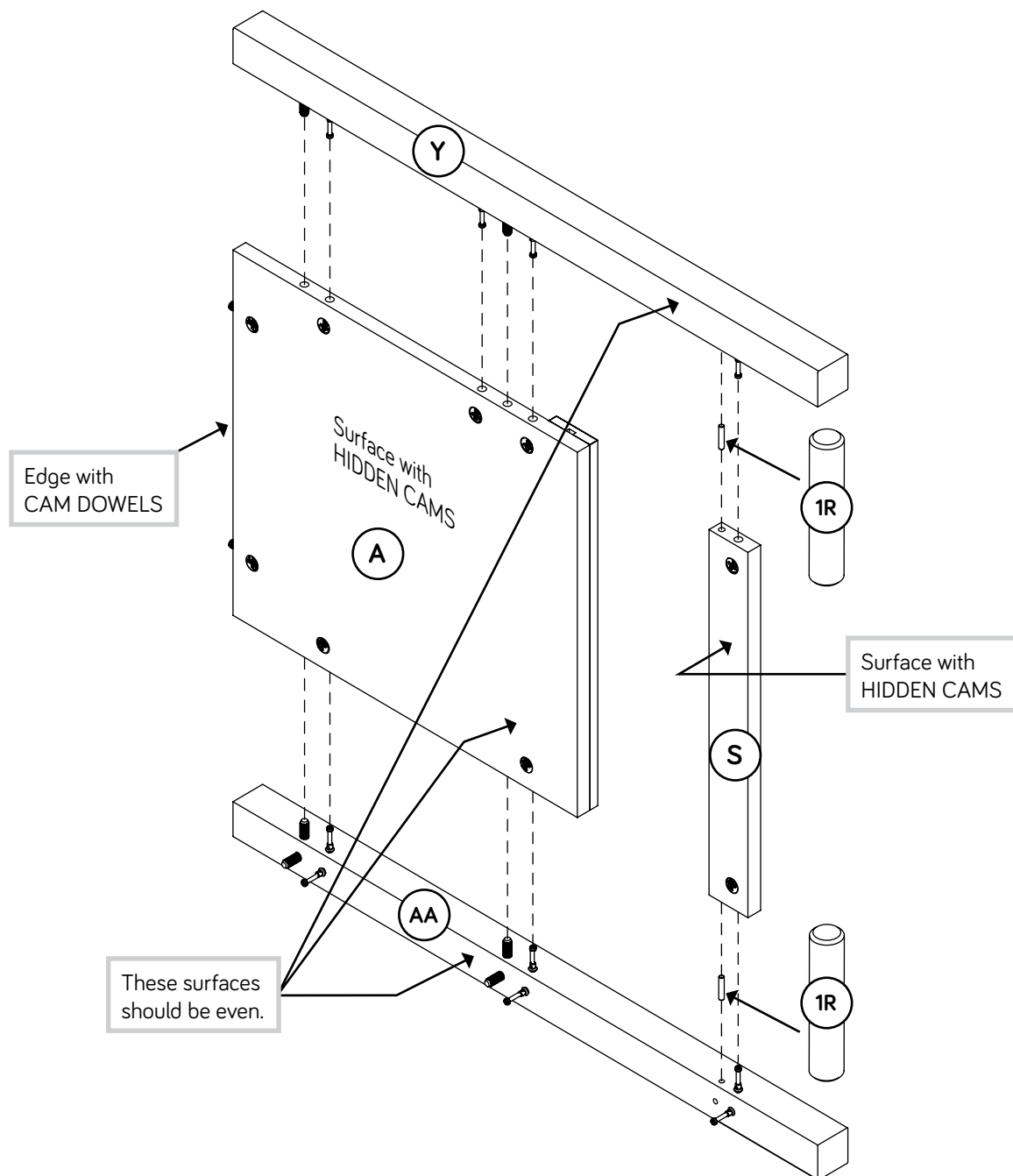
Step 23

- ✚ Insert six WOOD DOWELS (15F) into the LEGS (Y and AA).
- ✚ Turn ten CAM SCREWS (8F) into the LEGS (Y and AA).



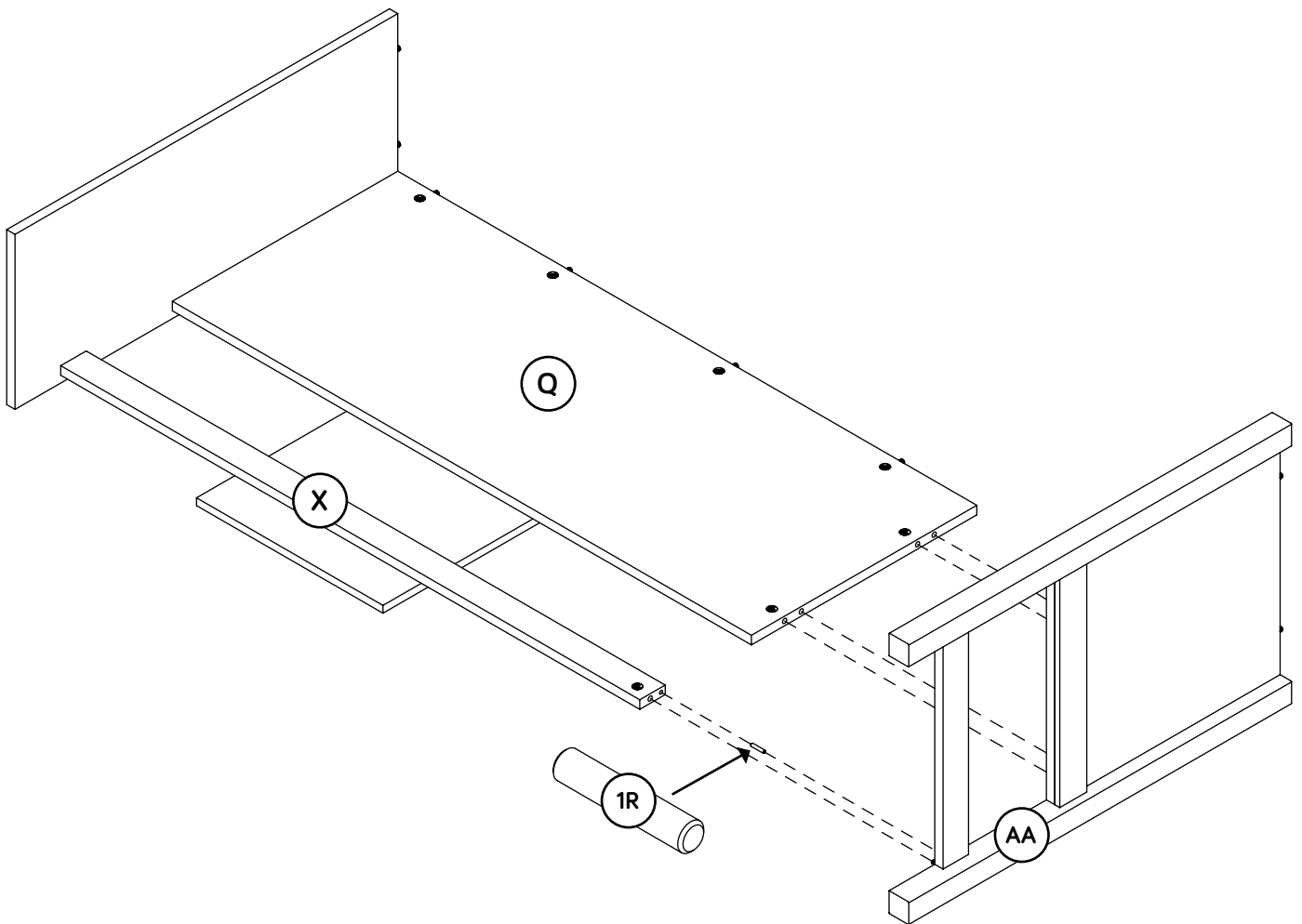
Step 24

- ✚ Insert one METAL PIN (1R) into the RIGHT REAR LEG (AA).
- ✚ Fasten the RIGHT END (A) and RIGHT END SKIRT (S) to the RIGHT REAR LEG (AA). Tighten three HIDDEN CAMS.
- ✚ NOTE: Be sure the METAL PIN in the LEG inserts into the SKIRT.
- ✚ Insert one METAL PIN (1R) into the RIGHT END SKIRT (S).
- ✚ Fasten the RIGHT FRONT LEG (Y) to the RIGHT END (A) and RIGHT END SKIRT (S). Tighten four HIDDEN CAMS.




Step 25

- ✚ Insert one METAL PIN (1R) into the RIGHT REAR LEG (AA).
- ✚ Fasten the RIGHT REAR LEG (AA) to the LARGE MODESTY PANEL (Q) and LARGE BRACE (X). Tighten three HIDDEN CAMS.
- ✚ NOTE: Be sure the WOOD DOWELS in the LEG insert into the MODESTY PANEL and the METAL PIN in the LEG inserts into the BRACE.

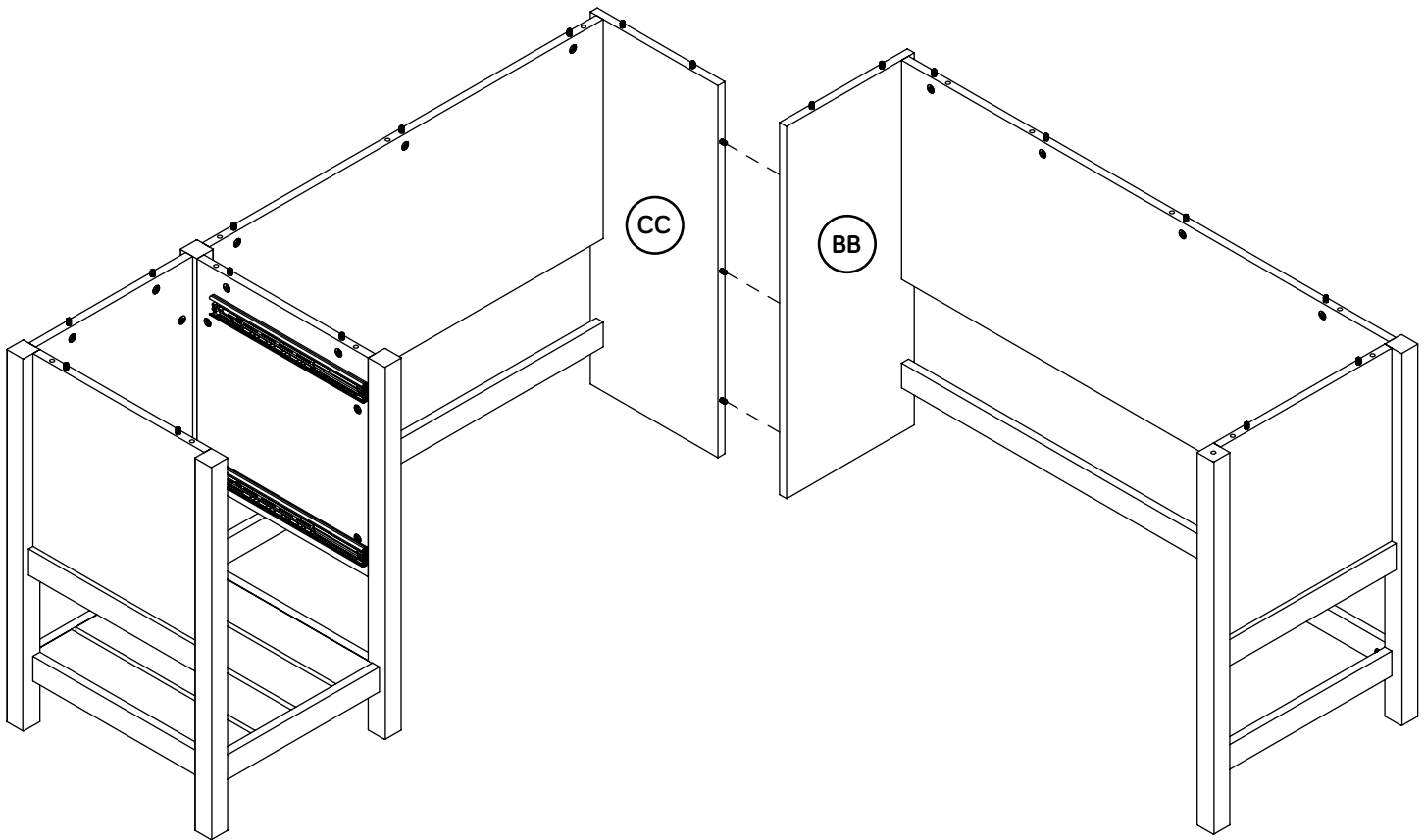


Step 26

- ⚡ Carefully stand both assemblies upright near your unit's final location.
- ⚡ Fasten the LEFT SUPPORT (CC) to the RIGHT SUPPORT (BB). Tighten three HIDDEN CAMS.

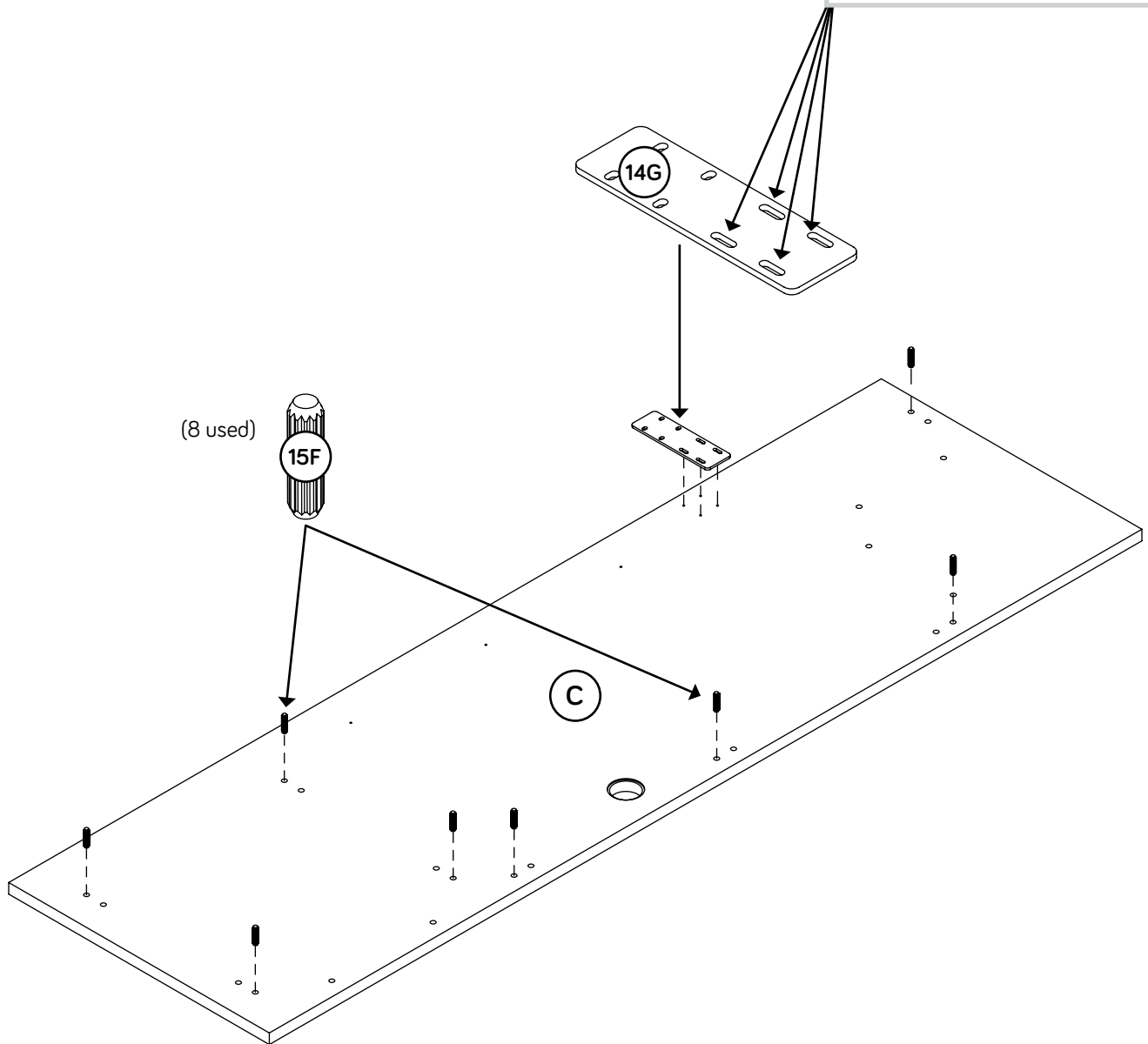
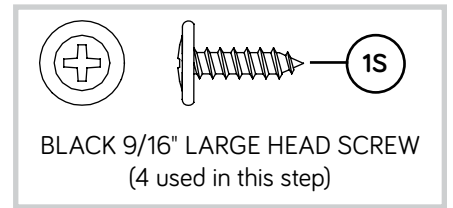


Pro Tip: Lift with your legs. And, you know, your arms.



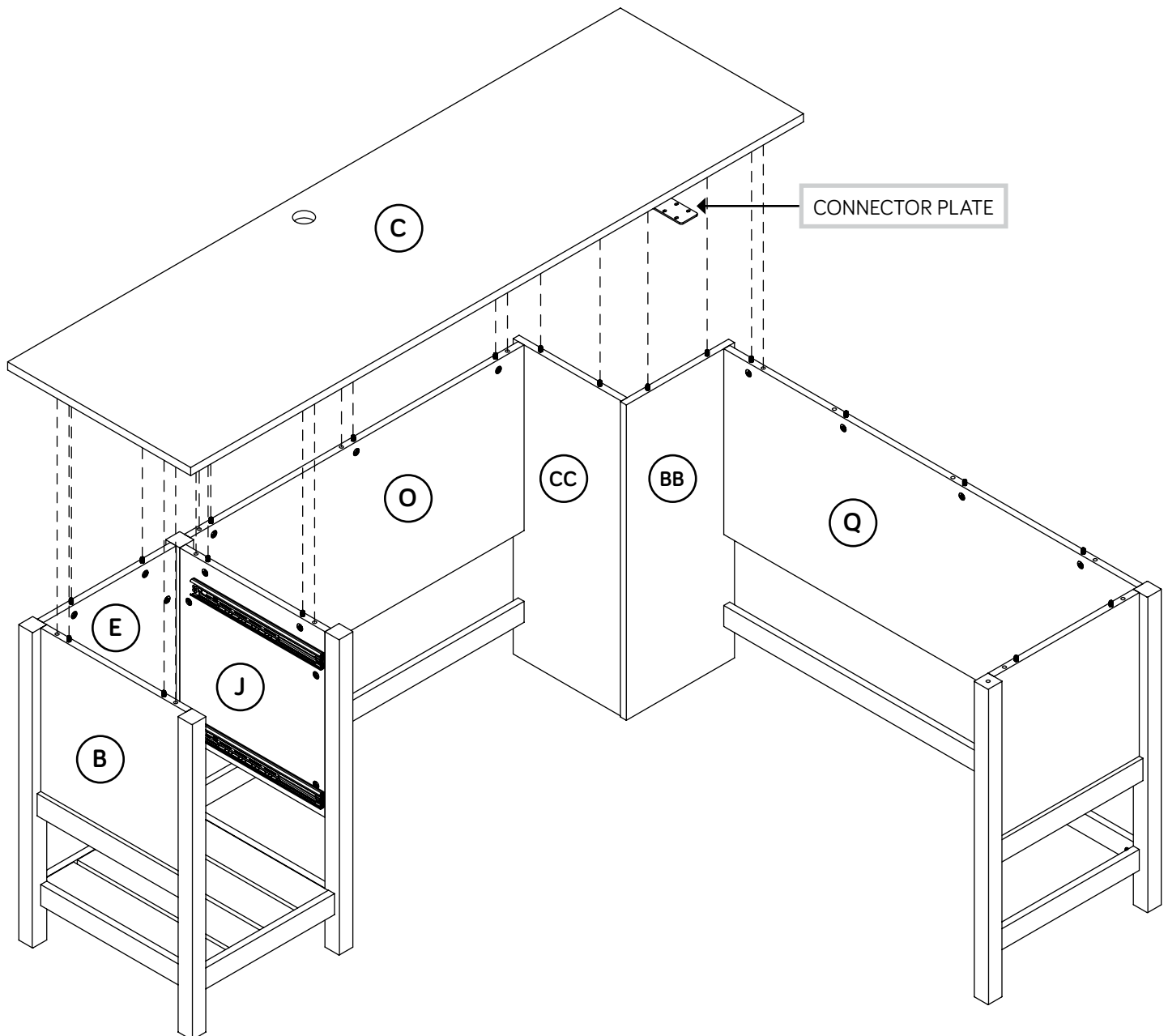
Step 27

- Fasten the CONNECTOR PLATE (14G) to the LARGE TOP (C).
Use four BLACK 9/16" LARGE HEAD SCREWS (1S).
- Insert eight WOOD DOWELS (15F) into the exact holes shown in the LARGE TOP (C).



Step 28

- ✦ Carefully turn the LARGE TOP (C) over.
- ✦ Fasten the LARGE TOP (C) to the LEFT END (B), BACK (E), UPRIGHT (J), MODESTY PANELS (O and Q), and SUPPORTS (BB and CC). Tighten fourteen HIDDEN CAMS.
- ✦ NOTE: Be sure the WOOD DOWELS in the TOP insert into the END, UPRIGHT, and MODESTY PANELS.

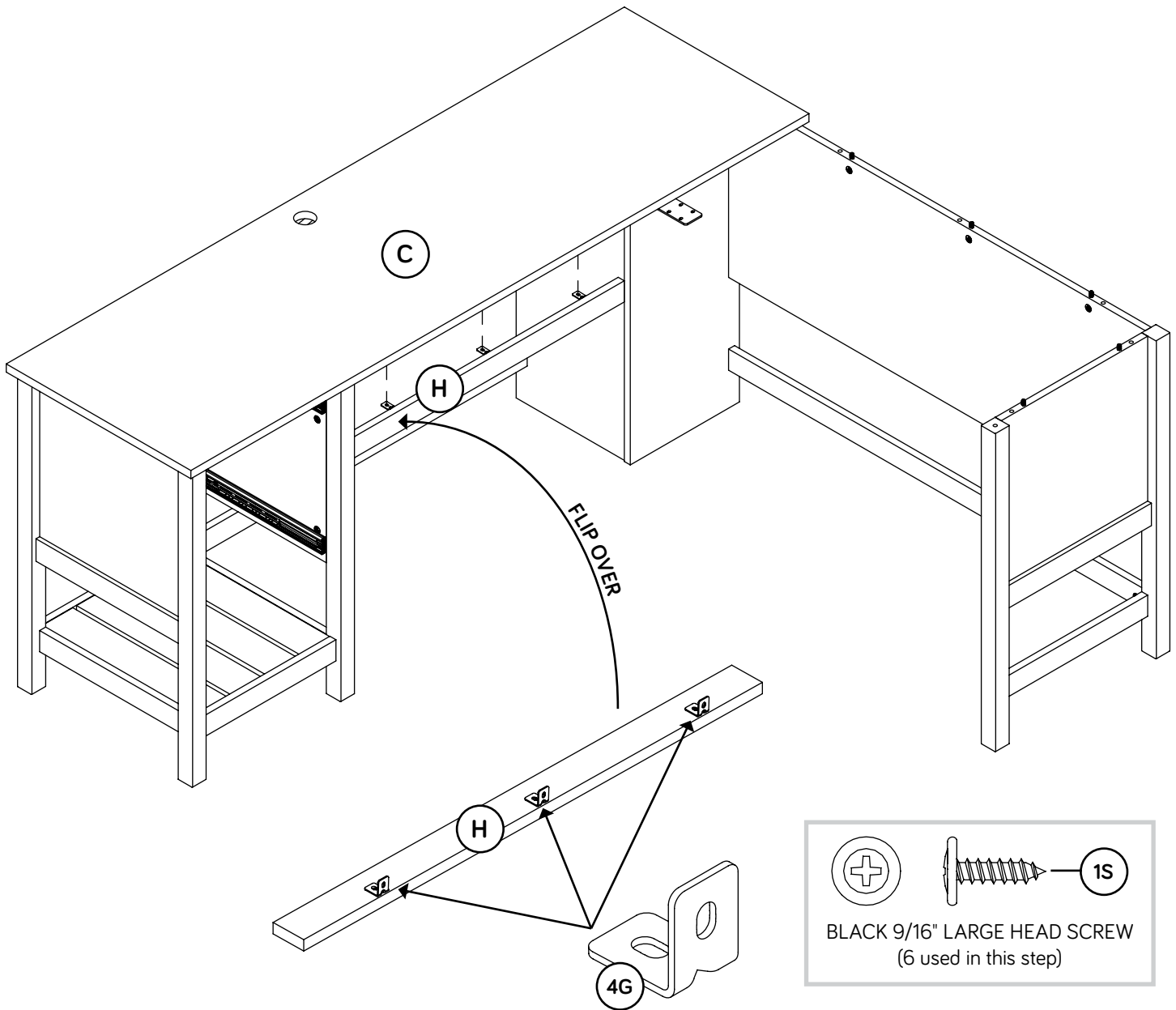


Step 29

Fasten three METAL BRACKETS (4G) to the SHORT TOP MOLDING (H).
Use three BLACK 9/16" LARGE HEAD SCREWS (1S).

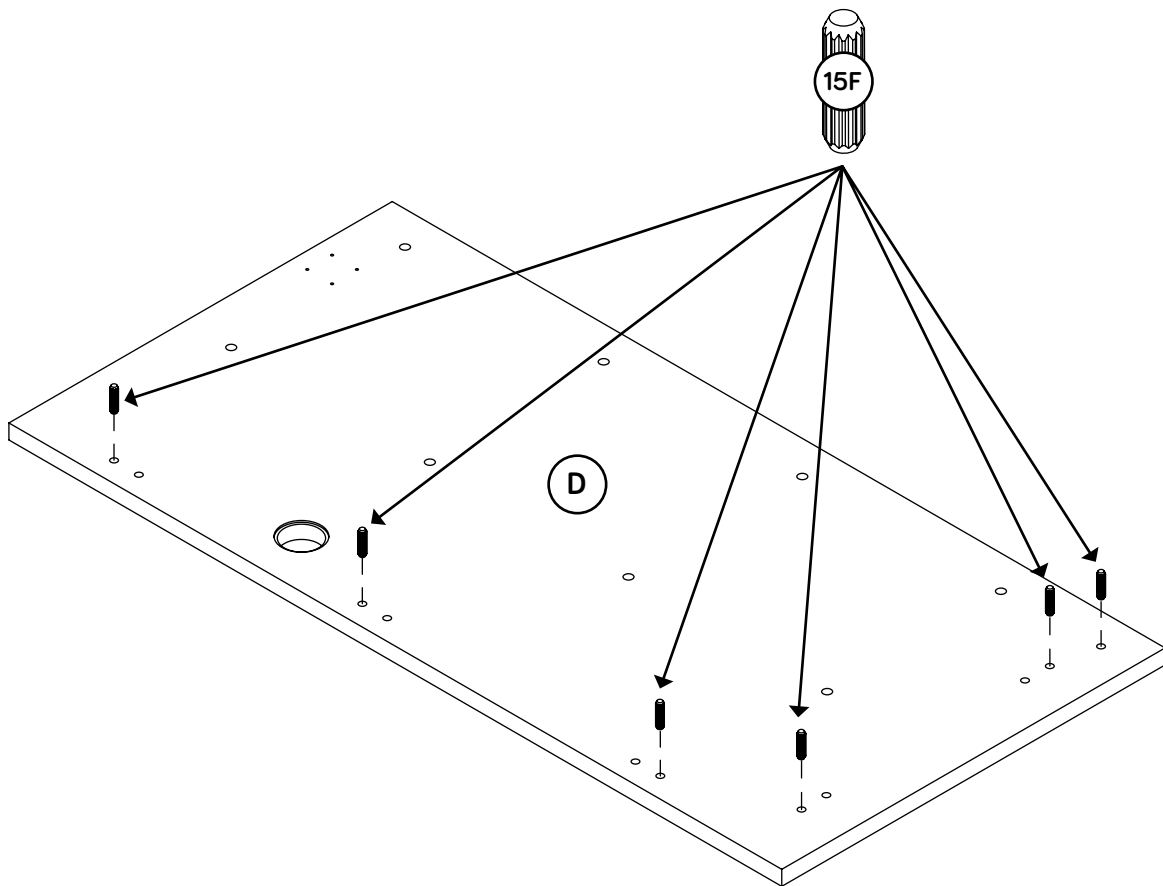
NOTE: Be sure the BRACKETS are even with the edge of the MOLDING.

Fasten the SHORT TOP MOLDING (H) to the LARGE TOP (C). Use
three BLACK 9/16" LARGE HEAD SCREWS (1S) through the METAL
BRACKETS on the MOLDING and into the holes in the TOP.



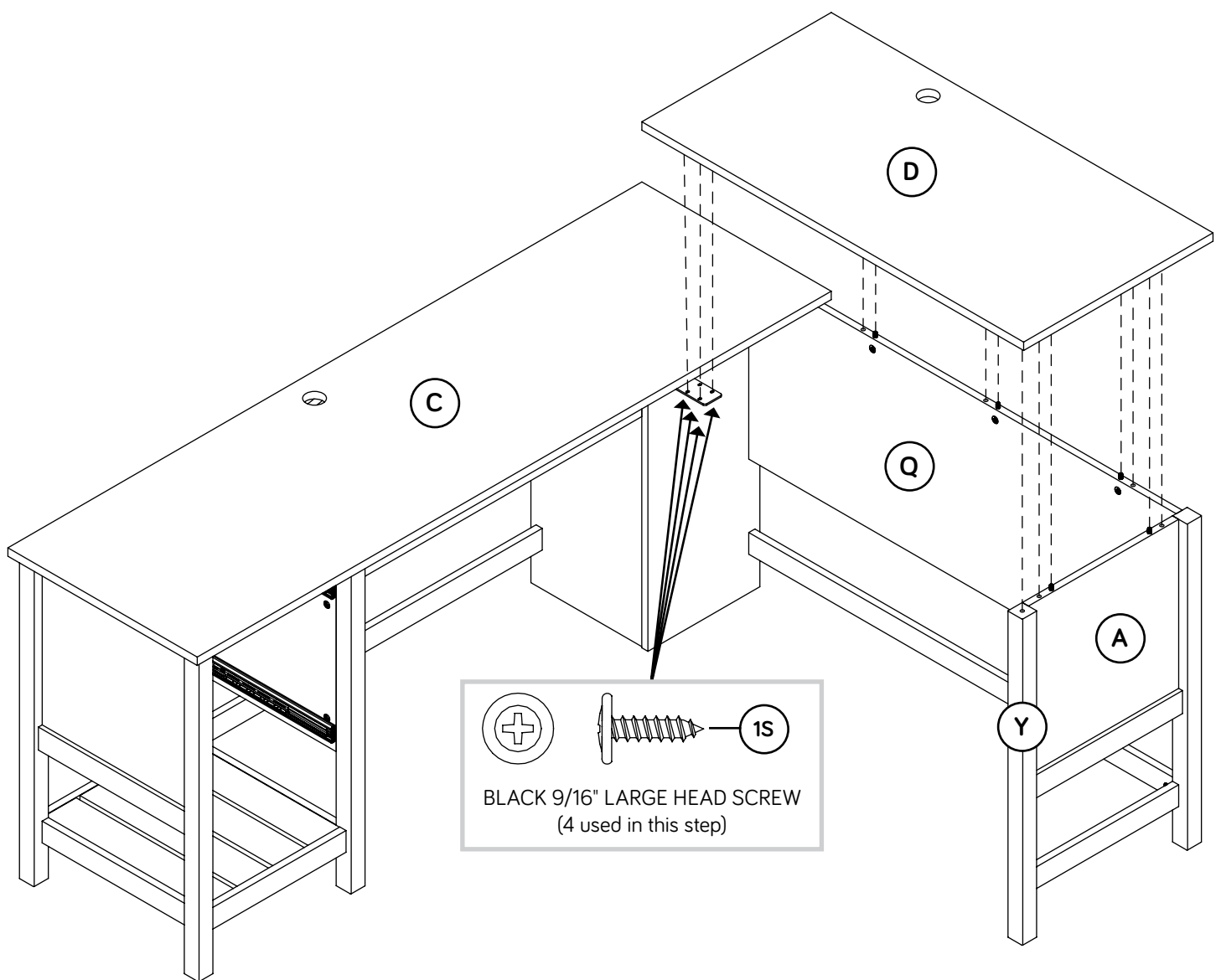
Step 30

- ✚ Insert six WOOD DOWELS (15F) into the exact holes shown in the SMALL TOP (D).



Step 31

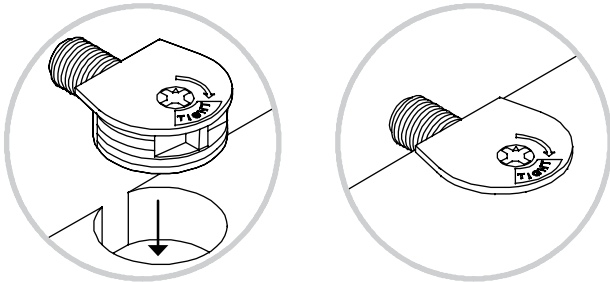
- ✚ Carefully turn the SMALL TOP (D) over.
- ✚ Fasten the SMALL TOP (D) to the RIGHT END (A) and LARGE MODESTY PANEL (Q). Tighten five HIDDEN CAMS.
- ✚ NOTE: Be sure the WOOD DOWELS in the TOP insert into the END, MODESTY PANEL, and LEG (Y).
- ✚ Fasten the SMALL TOP (D) to the CONNECTOR PLATE on the LARGE TOP (C). Use four BLACK 9/16" LARGE HEAD SCREWS (1S).



Hardware Usage Guide

HOW TO USE A TWIST-LOCK® FASTENER

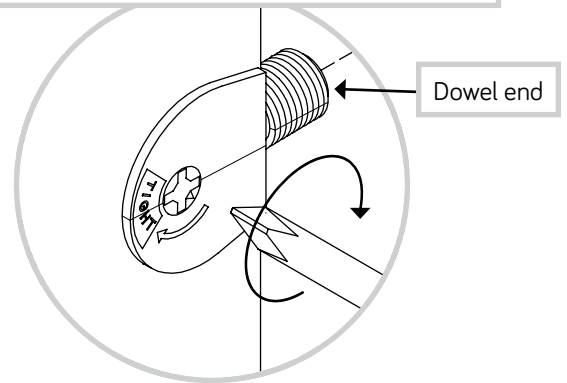
1. Push a TWIST-LOCK® FASTENER into the large hole in the part.



2. 1. Insert the dowel end of the FASTENER into the hole of the adjoining part.

NOTE: The dowel end of the FASTENER must remain fully inserted in the hole of the adjoining part while locking the FASTENER.

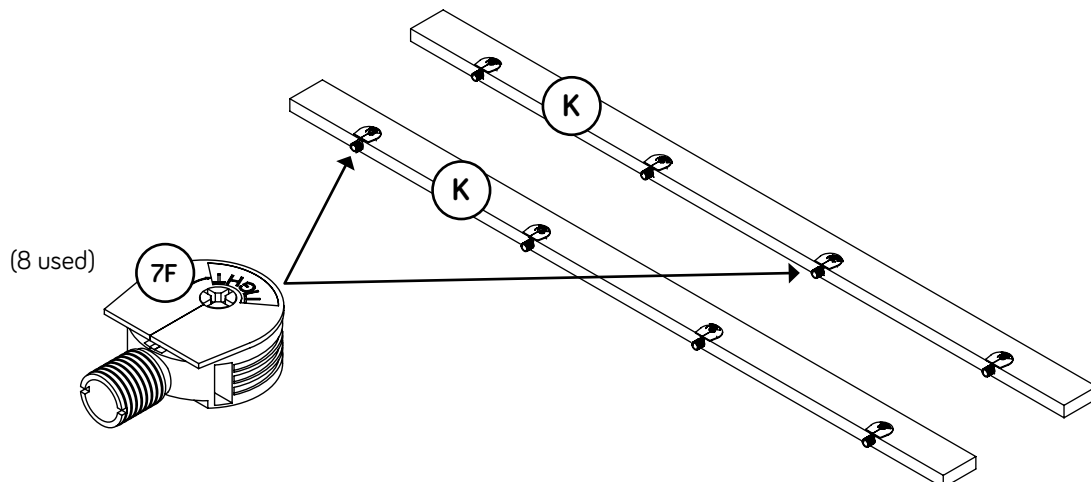
2. 2. Tighten the FASTENER with a Phillips screwdriver as tight as possible.



Step 32

1. Push eight SAUDER TWIST-LOCK® FASTENERS (7F) into the large holes in the LONG TOP MOLDINGS (K).

Do not tighten the TWIST-LOCK® FASTENERS in this step.

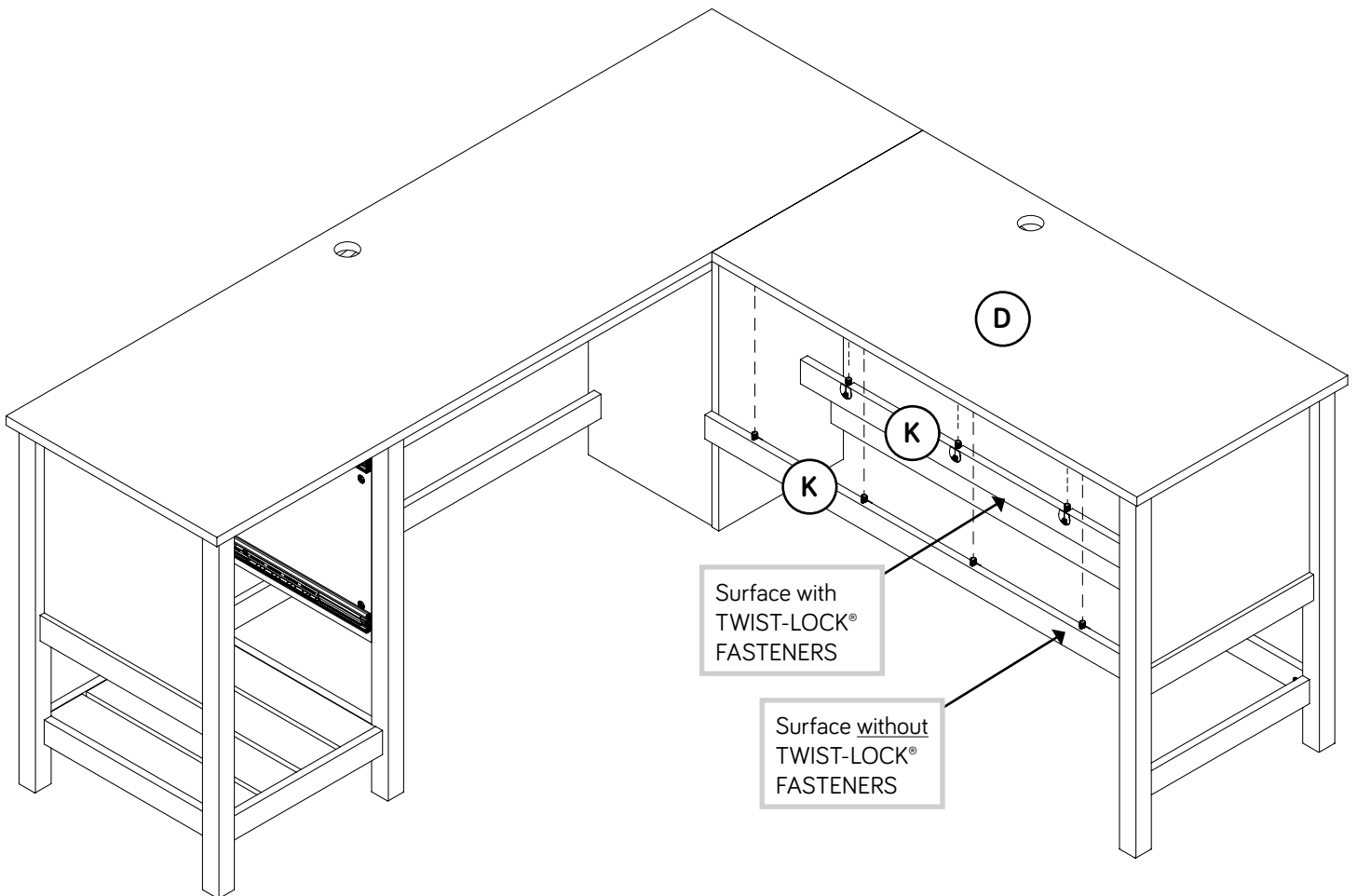


Step 33

Fasten the LONG TOP MOLDINGS (K) to the SMALL TOP (D). Tighten eight TWIST-LOCK® FASTENERS.



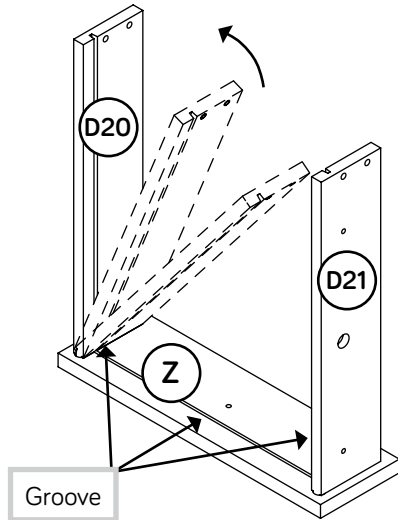
Hey! It's starting to look like something!



Step 34

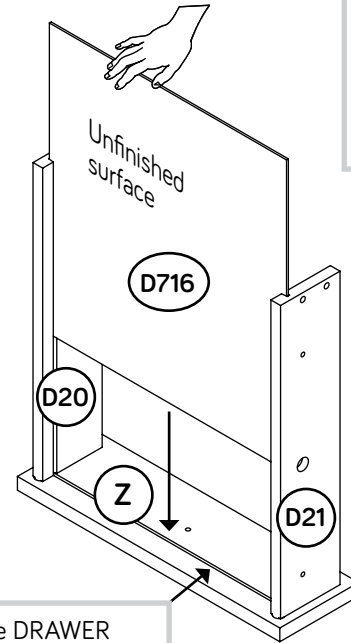
1

The tabs should insert freely into the slots. Gently tilt the DRAWER SIDES side to side until the tabs slip into the slots.



2

With the palm of your hand, tap the DRAWER BOTTOM down into the groove.



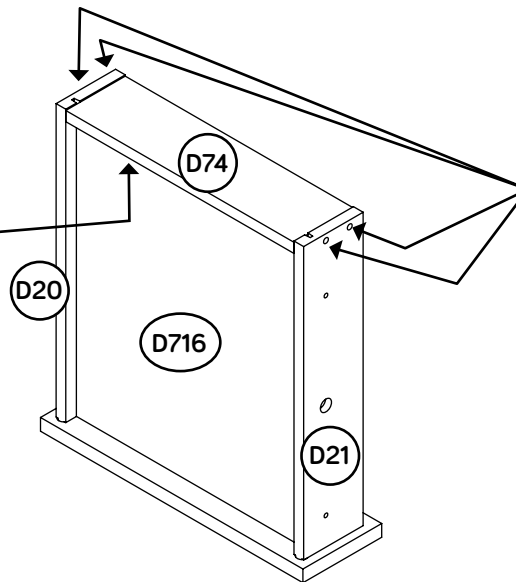
Be sure the DRAWER BOTTOM inserts into the DRAWER FRONT groove.

✚ Insert the SMALL DRAWER SIDES (D20 and D21) at an angle into the slot at each end of the SMALL DRAWER FRONT (Z).

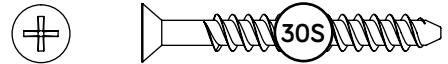
✚ Slide the DRAWER BOTTOM (D716) into the grooves in the SMALL DRAWER SIDES (D20 and D21) and SMALL DRAWER FRONT (Z).

3

Be sure the DRAWER BOTTOM inserts into the DRAWER BACK groove.



Start each screw a few turns before completely tightening any of them.



BLACK 1-9/16" FLAT HEAD SCREW (4 used in this step)

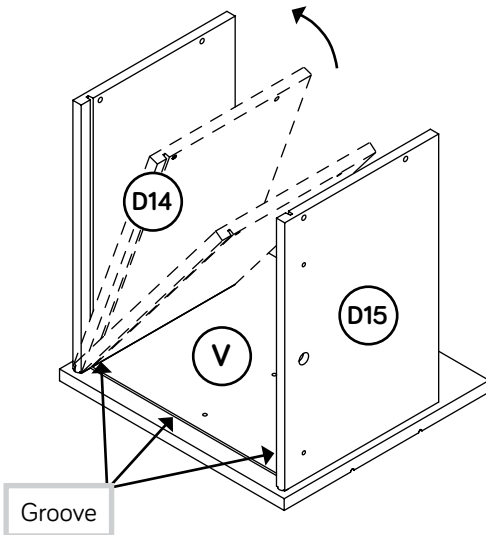
✚ Fasten the SMALL DRAWER BACK (D74) to the SMALL DRAWER SIDES (D20 and D21). Use four BLACK 1-9/16" FLAT HEAD SCREWS (30S).

✚ NOTE: Be sure the DRAWER BOTTOM (D716) inserts into the groove of the SMALL DRAWER BACK (D74).

Step 35

1

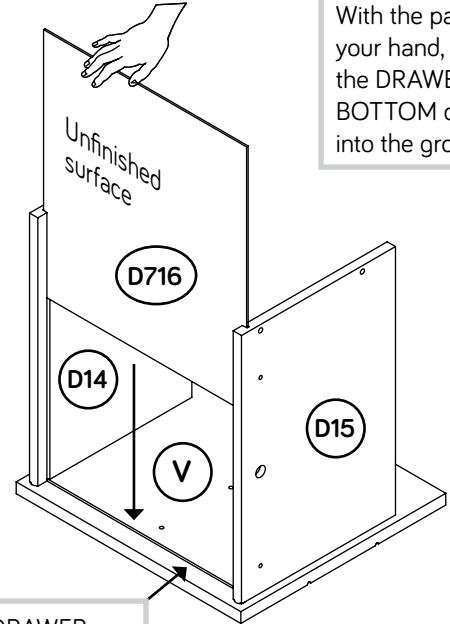
The tabs should insert freely into the slots. Gently tilt the DRAWER SIDES side to side until the tabs slip into the slots.



✚ Insert the LARGE DRAWER SIDES (D14 and D15) at an angle into the slot at each end of the LARGE DRAWER FRONT (V).

2

With the palm of your hand, tap the DRAWER BOTTOM down into the groove.

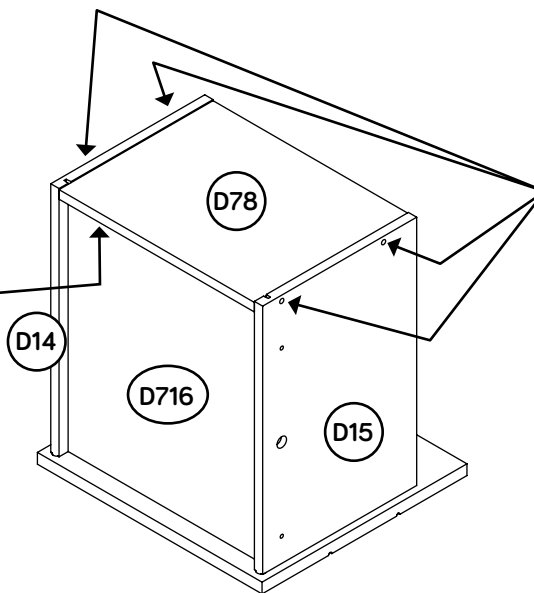


Be sure the DRAWER BOTTOM inserts into the DRAWER FRONT groove.

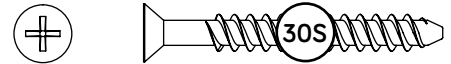
✚ Slide the DRAWER BOTTOM (D716) into the grooves in the LARGE DRAWER SIDES (D14 and D15) and LARGE DRAWER FRONT (V).

3

Be sure the DRAWER BOTTOM inserts into the DRAWER BACK groove.



Start each screw a few turns before completely tightening any of them.



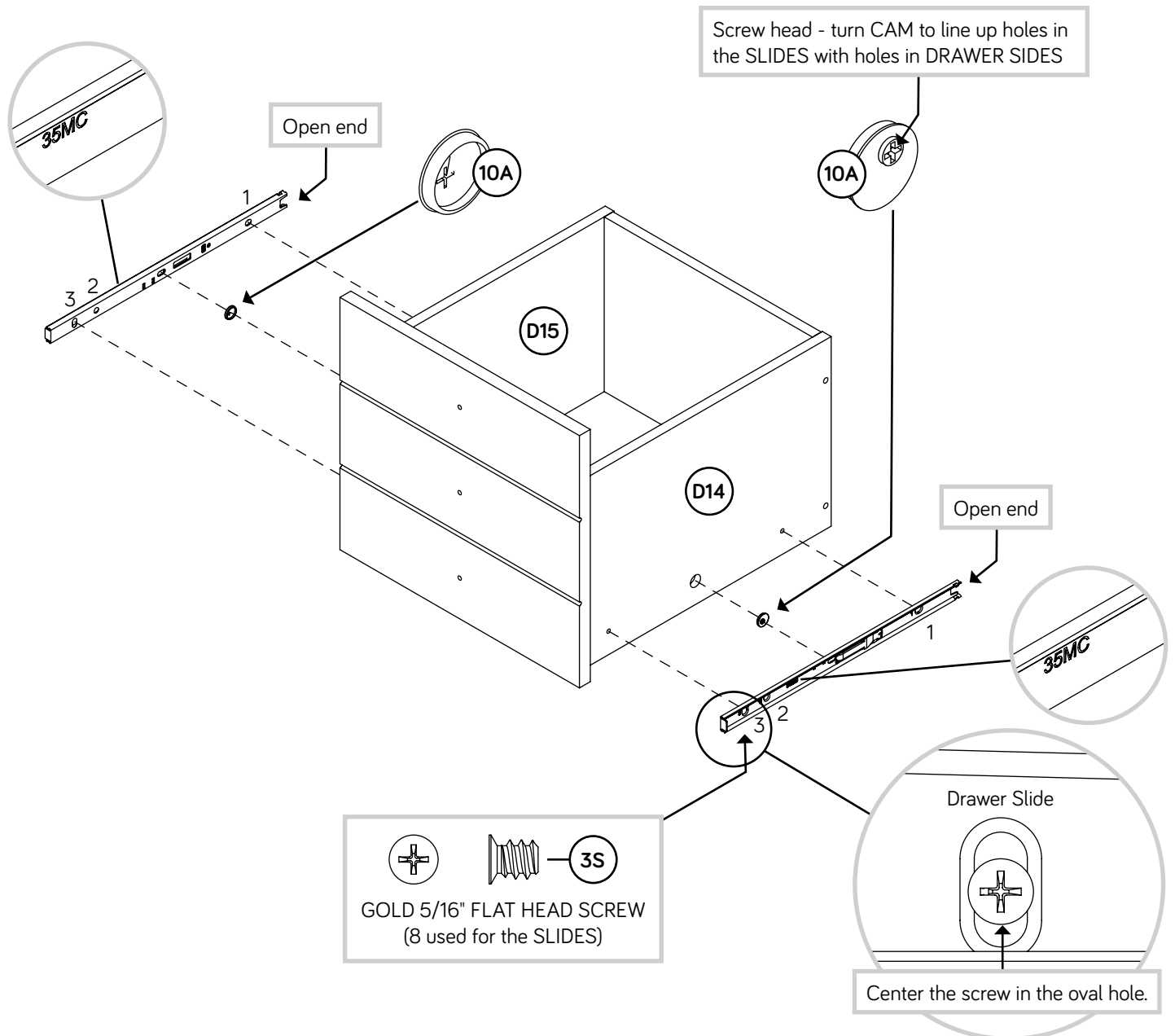
BLACK 1-9/16" FLAT HEAD SCREW (4 used in this step)

✚ Fasten the LARGE DRAWER BACK (D78) to the LARGE DRAWER SIDES (D14 and D15). Use four BLACK 1-9/16" FLAT HEAD SCREWS (30S).

✚ **NOTE:** Be sure the DRAWER BOTTOM (D716) inserts into the groove of the LARGE DRAWER BACK (D78).

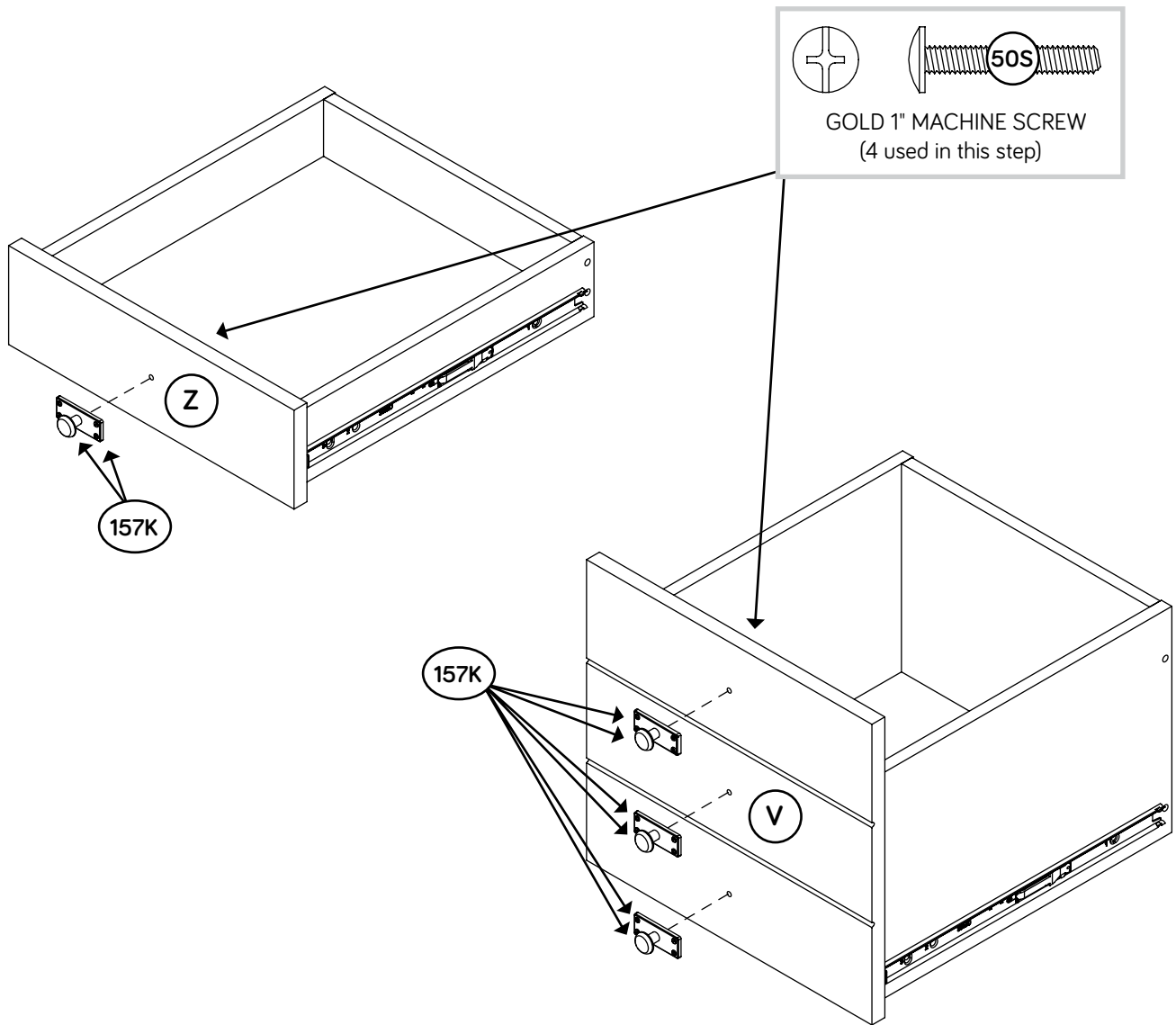
Step 36

- ✚ Insert a SLIDE CAM (10A) into the LARGE DRAWER SIDES (D14 and D15).
- ✚ Fasten the EXTENSION SLIDES (35MC) to the LARGE DRAWER SIDES (D14 and D15). Use four GOLD 5/16" FLAT HEAD SCREWS (3S) through holes #1 and #3.
- ✚ **NOTE:** The screw head in the CAM must be visible through the slotted hole in the SLIDE.
- ✚ Repeat this step for the SMALL DRAWER.



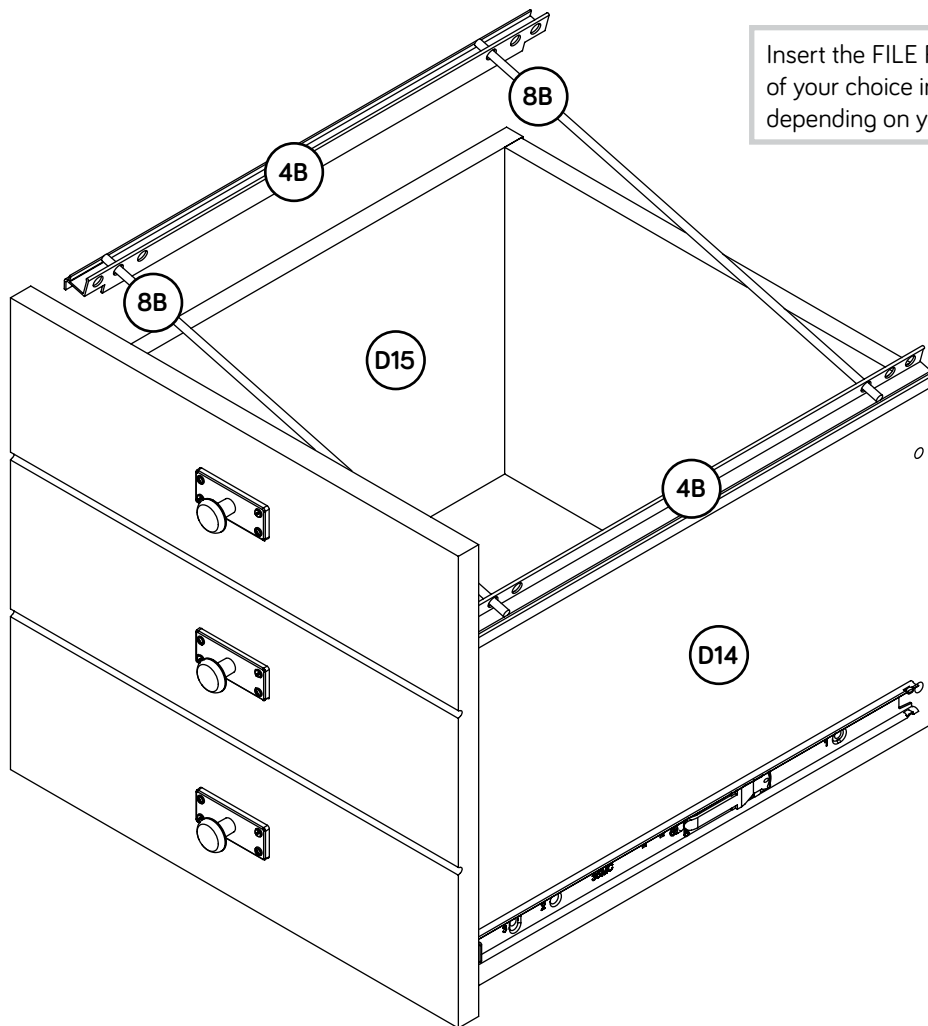
Step 37

- Fasten the KNOB SETS (157K) to the DRAWER FRONTS (V and Z).
Use four GOLD 1" MACHINE SCREWS (50S).



Step 38

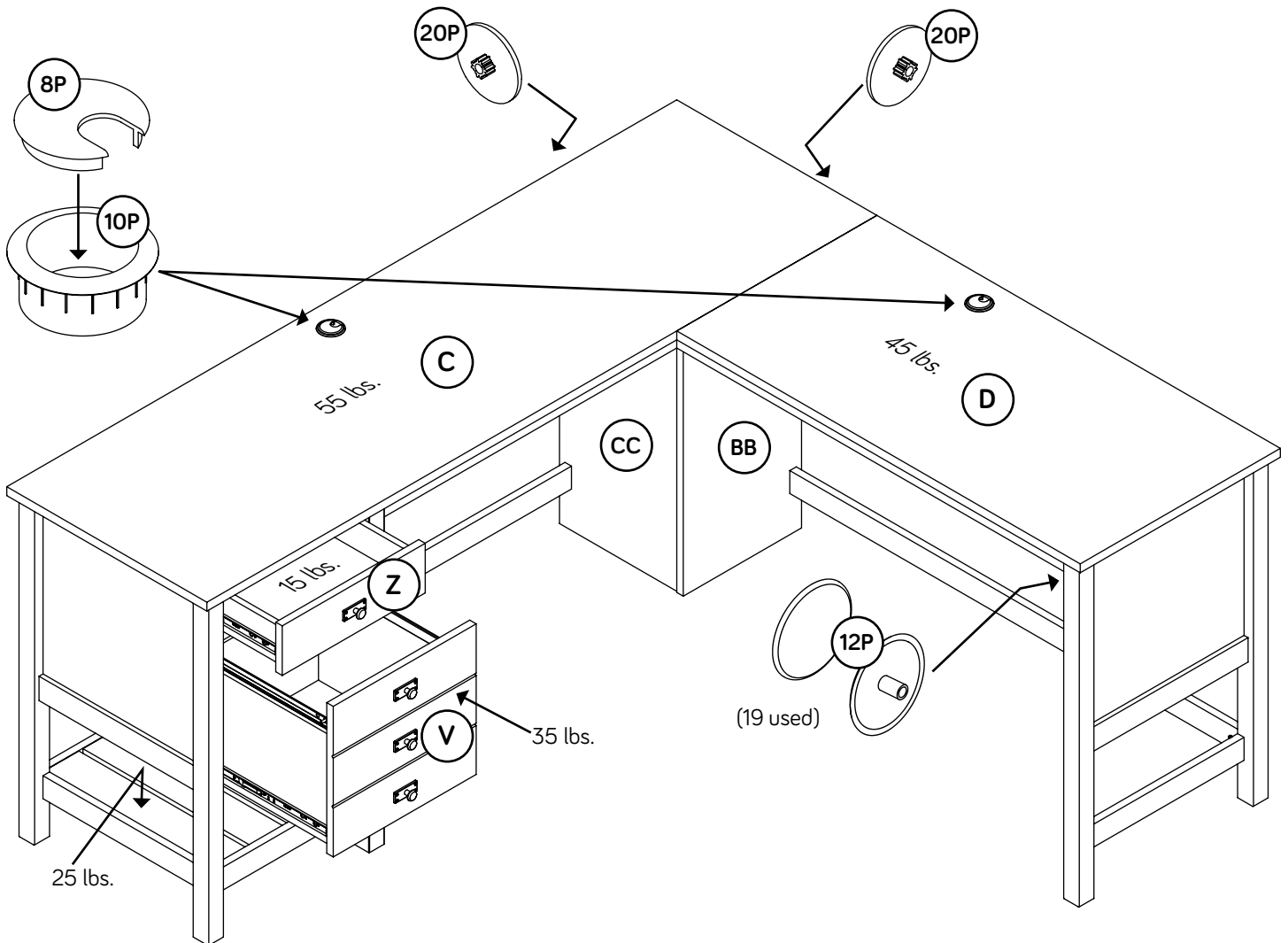
- ✚ Push a FILE GLIDE (4B) onto the LARGE RIGHT DRAWER SIDE (D14).
- ✚ Slide the FILE RODS (8B) into the FILE GLIDE (4B) on the LARGE RIGHT DRAWER SIDE.
- ✚ Slide another FILE GLIDE (4B) onto the other end of the FILE RODS (8B), then press this FILE GLIDE over the LARGE LEFT DRAWER SIDE (D15).



Insert the FILE RODS into the holes of your choice in the FILE GLIDES, depending on your file sizes.

Step 39

- ✚ To insert a drawer into your unit, line up the EXTENSION SLIDES on the drawer with the EXTENSION RAILS on the unit and push the drawer into the unit until the drawer is fully inserted. The drawer will push in hard until it is all the way in, then it will slide in and out easier.
- ✚ Insert the GROMMETS (7P) and GROMMET CAPS (8P) into the large holes in the TOPS (C and D).
- ✚ Center a SCREW COVER (20P) over the head of each SCREW in the SUPPORTS (BB and CC) and gently tap in with your hammer.
- ✚ Using your hammer, gently tap a CAM COVER (12P) onto each visible HIDDEN CAM.

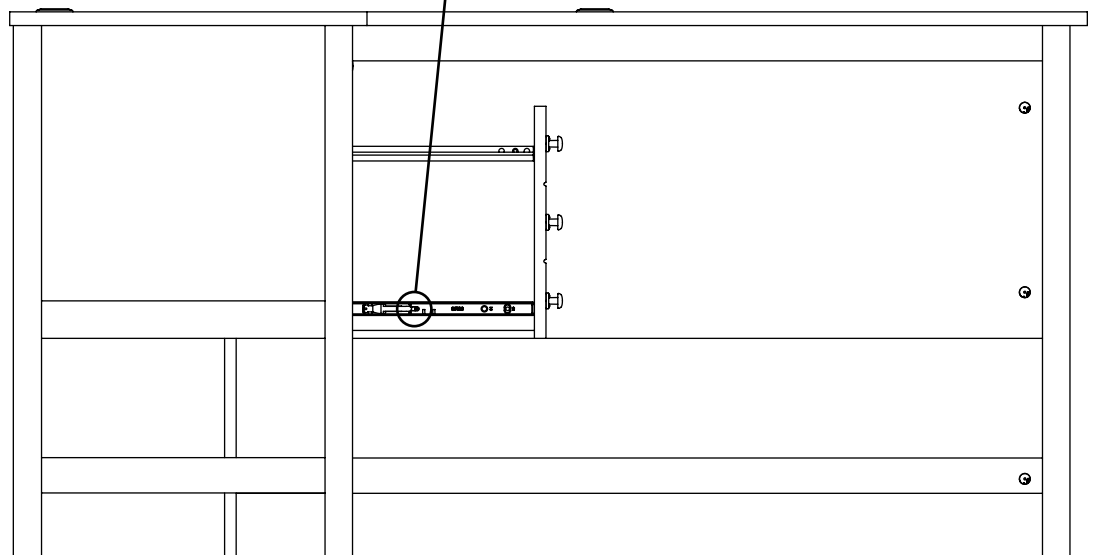
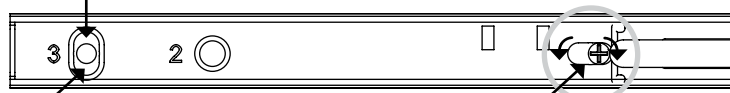


Step 40

- ✚ To make adjustments to the drawer, loosen SCREW #3 in the SLIDES a 1/4 turn, then turn the cam clockwise or counter-clockwise. Notice how the drawer raises or lowers as you turn the cam. By adjusting the drawer this way, it will help the DRAWER FRONT line up better when closed. Tighten the SCREWS when finished with adjustments.
- ✚ **NOTE:** Please read the back pages of the instruction booklet for important safety information.
- ✚ This completes assembly. Clean with a damp cloth. Wipe dry.

Loosen screw #3 a 1/4 turn, turn the cam a 1/4 turn maximum in both the clockwise and counter-clockwise directions to make adjustments, and then tighten screw #3.

The higher the screw in the oblong hole, the higher your drawer front will be. The lower the screw, the lower the drawer front.



⚠ WARNING

Please use your furniture correctly and safely. Improper use can cause safety hazards, or damage to your furniture or household items. **Carefully read the following chart.**

Look out for:	What can happen:	How to avoid the problem:
<ul style="list-style-type: none">• Overloaded shelves or drawers.• Improper loading can cause the product to be top-heavy.	<ul style="list-style-type: none">• Risk of injury.• Top-heavy furniture can tip over.• Overloaded shelves and drawers can break.	<ul style="list-style-type: none">• Never exceed the weight limits shown in the instructions.• Work from bottom to top when loading shelves and drawers. Place the heavier items on the lower shelves or in lower drawers.
<ul style="list-style-type: none">• Improperly moving furniture that is not designed and equipped with casters.	<ul style="list-style-type: none">• Furniture can tip over or break if improperly moved.• Physical injury. Furniture can be very heavy.• Breakage of tops - particularly with double pedestal furniture (drawers at both ends).	<ul style="list-style-type: none">• Unload shelves and drawers from top to bottom before moving the unit.• Do not push furniture, especially on a carpeted floor. Have a friend help you lift the item and set it in place.• Provide support to the center section of the top when lifting the furniture.
<ul style="list-style-type: none">• Placing TVs on furniture items that are not designed to support a television is hazardous.	<ul style="list-style-type: none">• Risk of injury or death. TVs can be very heavy. Plus the weight and location of the picture tube tends to make TVs unbalanced and prone to tipping forward.	<ul style="list-style-type: none">• This product is not designed to support a television.