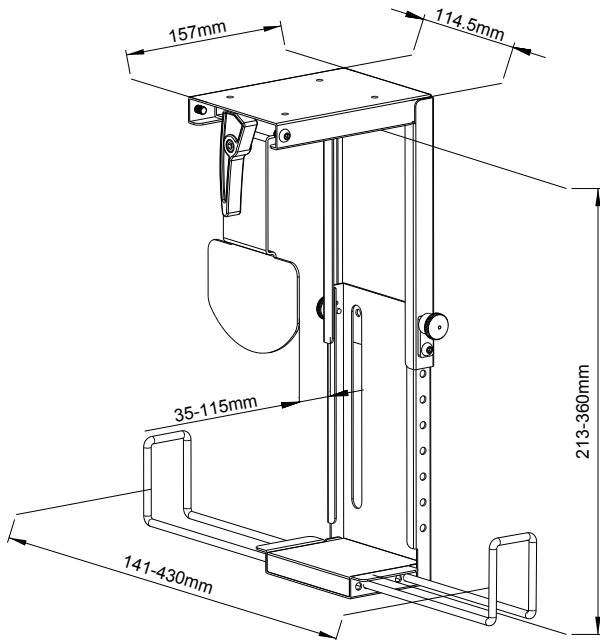


C4

Mini CPU holder  
CHF1104



Technical specifications

<b>Weight</b>	2.1kg
<b>Capacities</b>	205 - 360 mm adjustable height 35 - 115 mm adjustable width
<b>Materials</b>	Powder coated steel
<b>Warranty</b>	5 years

Boxed specifications

<b>Dimensions</b>	W275 x D160 x H160mm
<b>Weight</b>	2.3kg
<b>Outer</b>	4 units
<b>Weight</b>	9.3kg

Features

- Designed for mini / thin client / small CPUs
- Easy height adjustment with spring-loaded pin
- Easy to adjust with desktop fixing
- Security bars prevent CPU falling
- Compatible with C9 adaptor (CHUST)
- Supplied almost fully assembled
- Certified to severe structural standards
- Available in black, white or silver