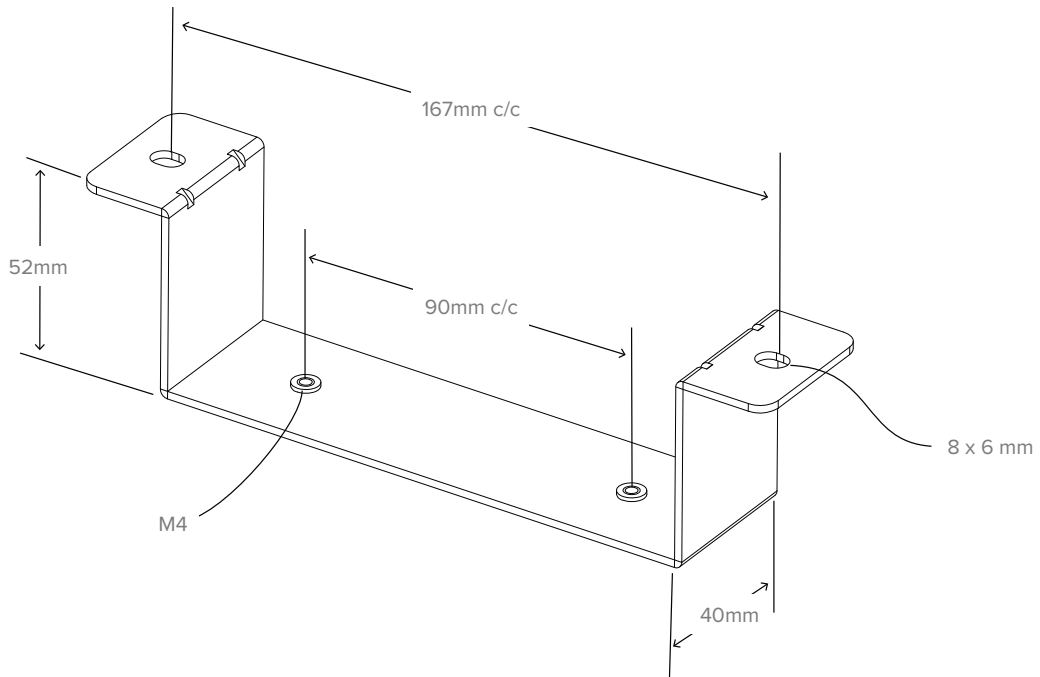


# Clearance spacer kit

for CPU holders T1 & T2

CHSP



## Technical specifications

<b>Weight</b>	0.34kg
<b>Materials</b>	Powder coated steel
<b>Warranty</b>	5 years

## Features

- Designed for use with T1 and T2 CPU holders and slide & turn kit
- Available in black, white or silver

## Boxed specifications

<b>Dimensions</b>	W200 x D105 x H45 mm
<b>Weight</b>	0.38kg
<b>Outer</b>	20 units
<b>Weight</b>	8.5kg