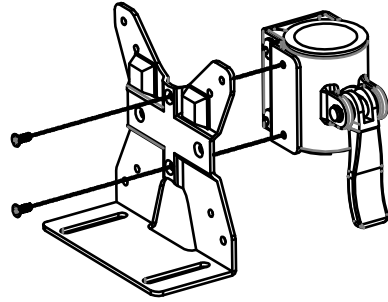




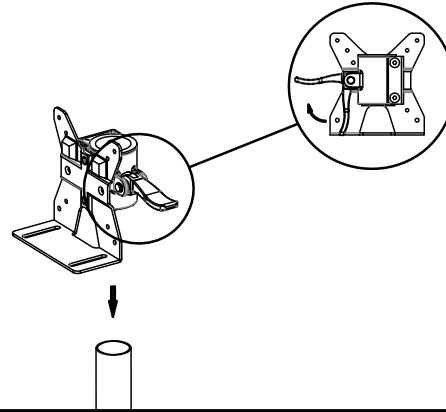
**METALICON.**  
Dynamic. Expressive. Enduring.

**S1 Pole Clamp (35mm)**

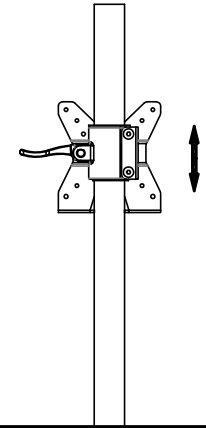
1



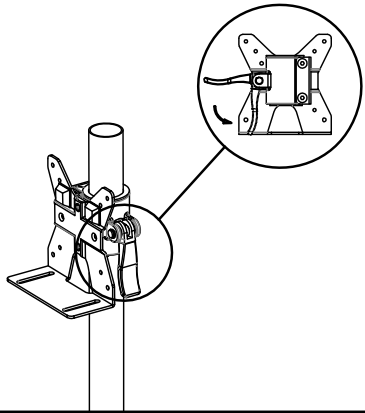
2



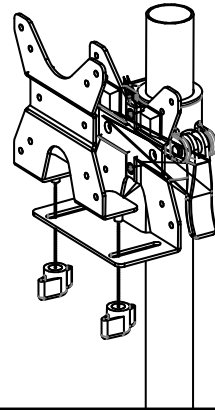
3



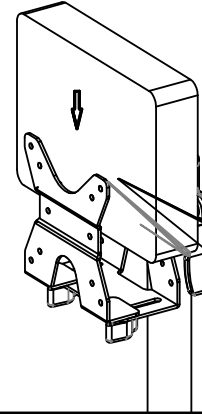
4



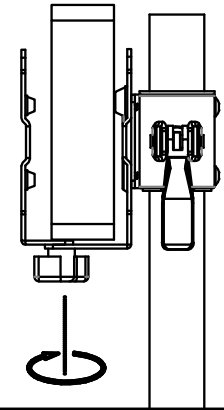
5



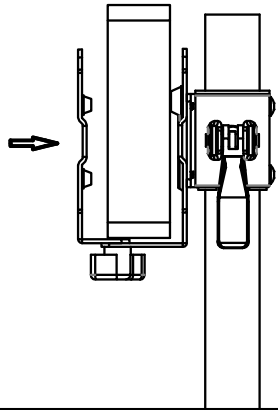
6



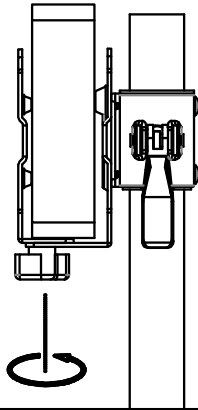
7



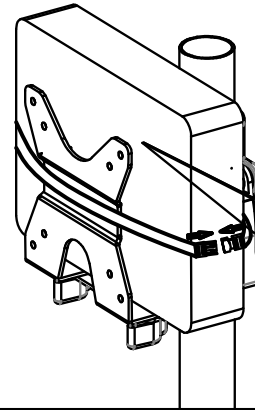
8



9



10



11

