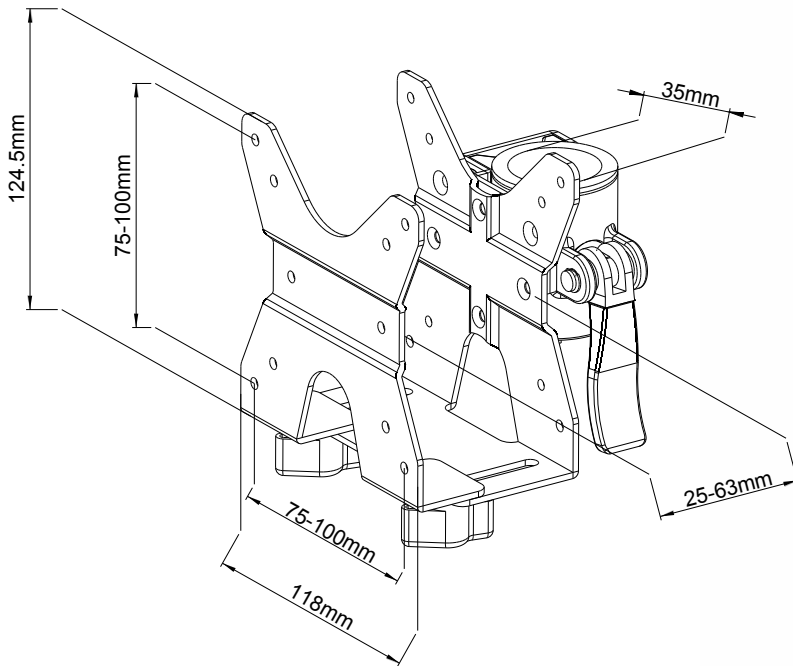


S1

Thin client holder
CHV1002



Technical specifications

| | |
|-------------------|-----------------------|
| Weight | 1kg |
| Capacities | 25 - 63 mm adjustable |
| Materials | Powder coated steel |
| Warranty | 5 years |

Features

- Designed for thin clients, adjustable for micro CPUs
- 360° rotation for easy positioning
- Can be fitted to pole, monitor arm or desk
- Compatible with Kardo monitor arms
- Available in black, white or silver

Boxed specifications

| | |
|-------------------|--------|
| Dimensions | |
| Weight | 1.2kg |
| Outer | 10 |
| Weight | 12.5kg |