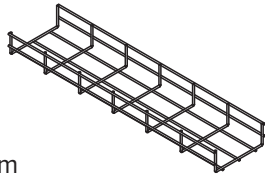


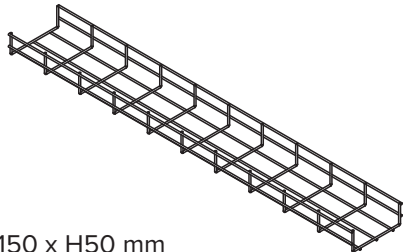
Cable Baskets

Installation Instructions

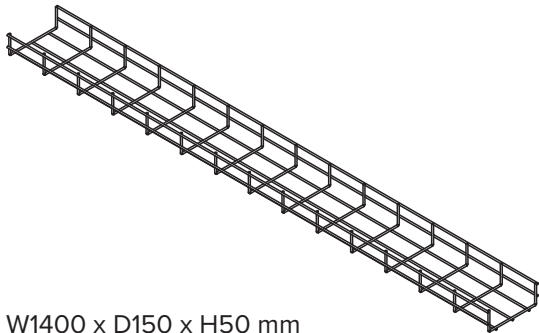
D150mm



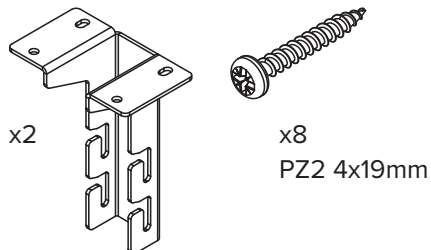
W600 x D150 x H50 mm



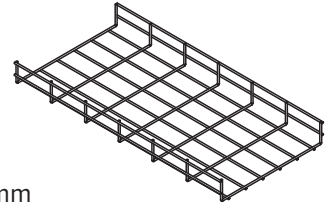
W1000 x D150 x H50 mm



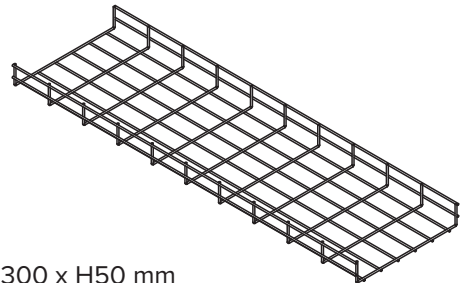
W1400 x D150 x H50 mm



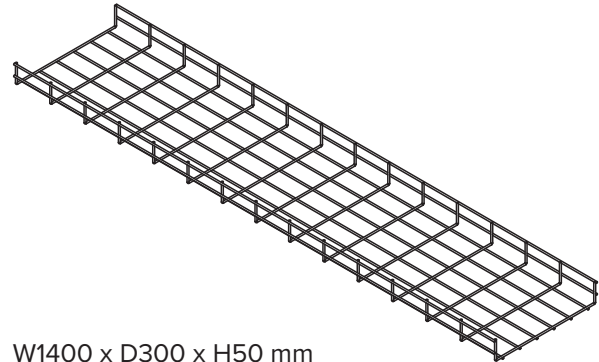
D300mm



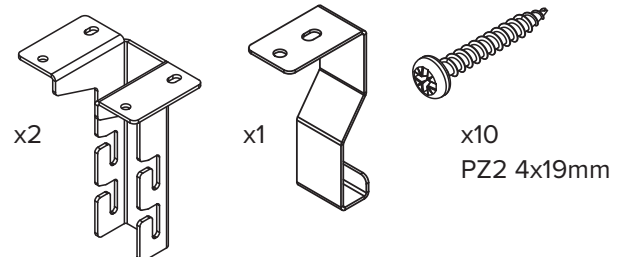
W600 x D300 x H50 mm



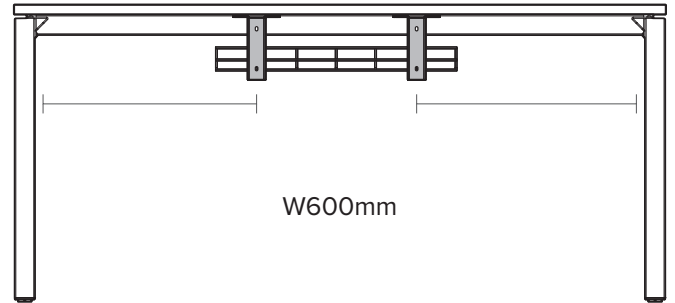
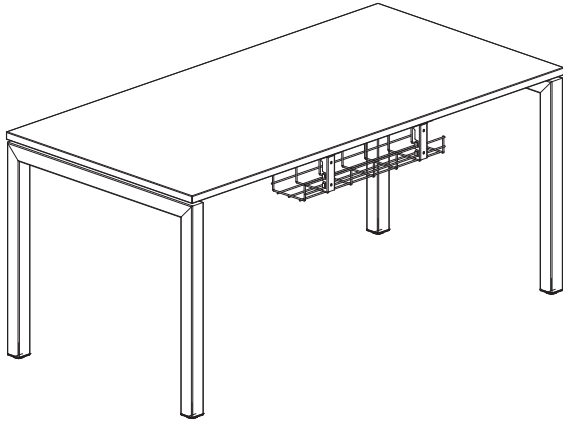
W1000 x D300 x H50 mm



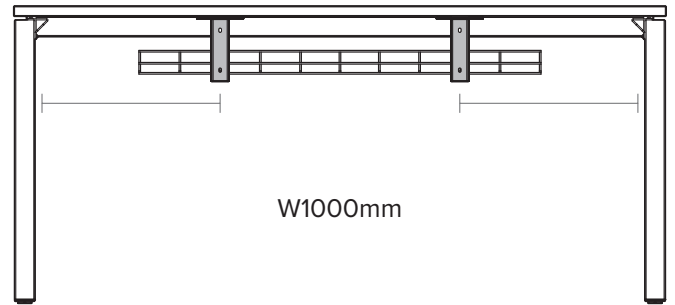
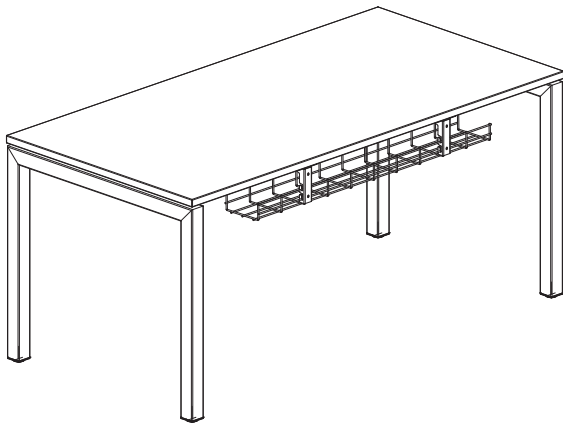
W1400 x D300 x H50 mm



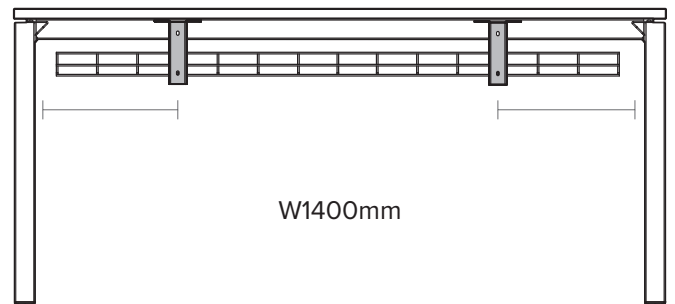
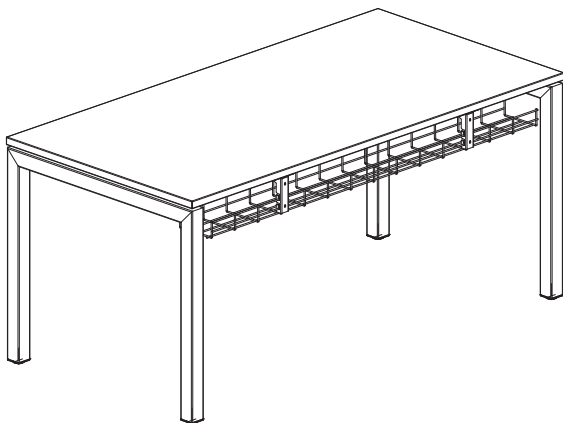
Align brackets to cover vertical bars



W600mm

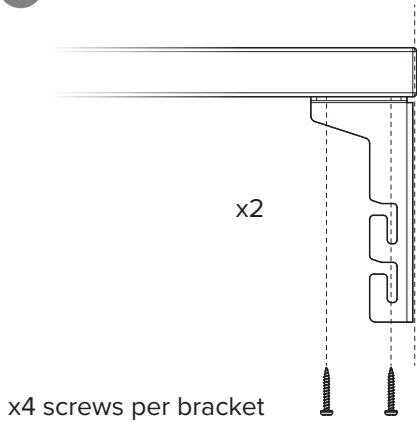


W1000mm



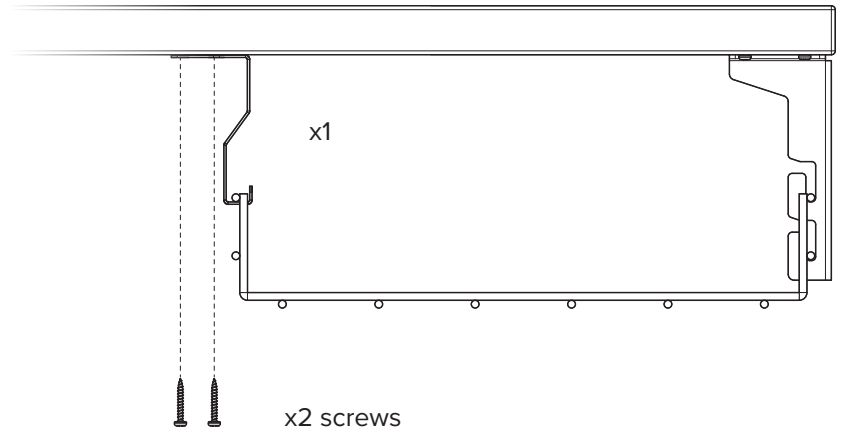
W1400mm

1

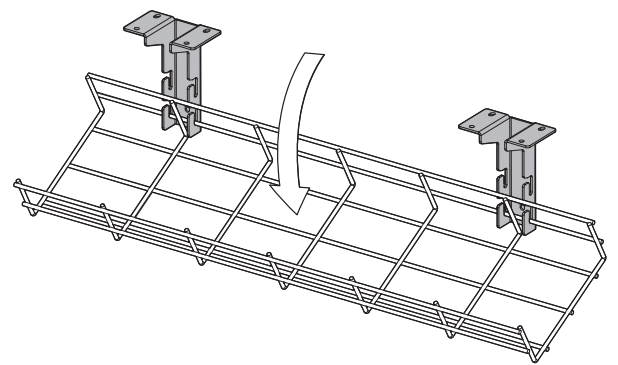
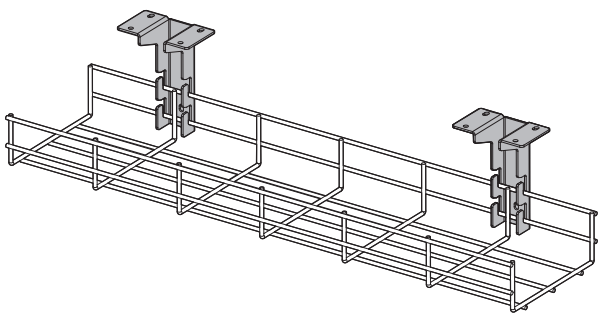
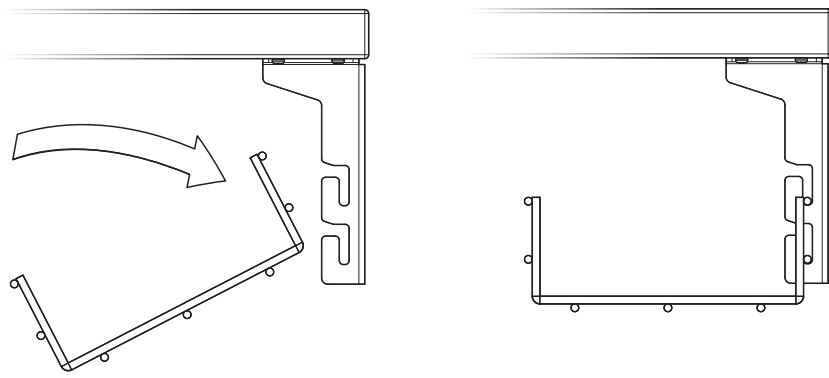


2

D300mm only



3



Basket will tilt down for easy installation of cables