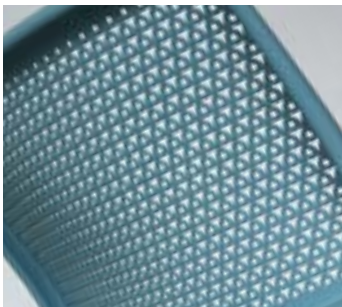
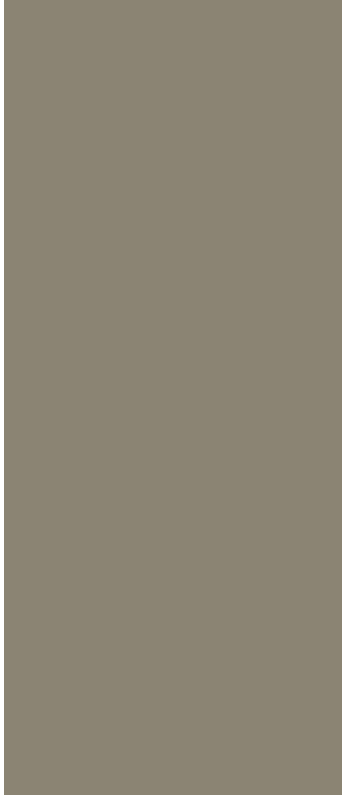




MADE IN THE UK



SEATING
GRAFTON

Grafton Seating

Elegant, durable & versatile

The generous perforations of Grafton's distinctive injection-moulded backrest provide better ventilation and flexibility. This unique feature was created to offer the comfort of a mesh backed chair without compromising on durability. The rolled edges of the backrest are mirrored on the seat shell to create a waterfall edge. The chair's configuration options support agile learning and maintain a consistent design aesthetic across a campus.



Indoor Advantage Gold - Furniture

This product is certified to Indoor Advantage Gold - Furniture, making it suitable for many building rating systems, including LEED v4, BREEAM, & WELL Building.



GRAFTON

MADE IN THE UK



Watch video on YouTube:
<https://youtu.be/FshNuPUp2l8>













PRODUCT FEATURES



PRODUCT SPECIFICATIONS

Polypropylene colours



Cool Grey

Blue Grey*

Flannel

Black



Surf's Up

Nordic Blue

Grass Green

Cayenne

*Blue Grey is colour-matched to Iron Grey polypropylene available on other KI seating products.

Frame colours



Black

Silver Grey

Ash Nebula

Tablet arms are made with 15mm BB/BB birch ply board, finished with Ash Nebula laminate surface, and a two-coat lacquer edge.

Tablet arm colours

Upholstery options

Please confirm with your KI Account Manager for most up-to-date fabric options, including additional fabric brands and COM.

Band 1

Camira Fabrics

Citadel
Era
Gravity
Phoenix
Revit

Band 2

Camira Fabrics

Advantage
Canopy
Chateau
Figaro
Halcyon - Linden
Honeycomb
Mainline Flax
Mainline Plus
Manhattan
Marvel
Patina
Sprint
Urban
Velocity
Vita
X2
Xtreme
Xtreme CS

Chieftan Fabrics

Just Colour (vinyl)

Band 3

Camira Fabrics

24/7+
24/7 Flax
Acrobat
Aquarius
Blazer
Century
Code
Craggan
Craggan Flax
Halcyon - Aspen
Halcyon - Blossom
Halcyon - Cedar
Halcyon - Poplar
Hebden
Hemp
Hi-Tech
Individuo
Intervene Plain
Intervene Texture

Landscape - Balance
Landscape - Contact
Landscape - Synergy
Main Line Flax Stripe
Oxygen
Silk
Stripes
Synergy
Touch FR
Track
Trail

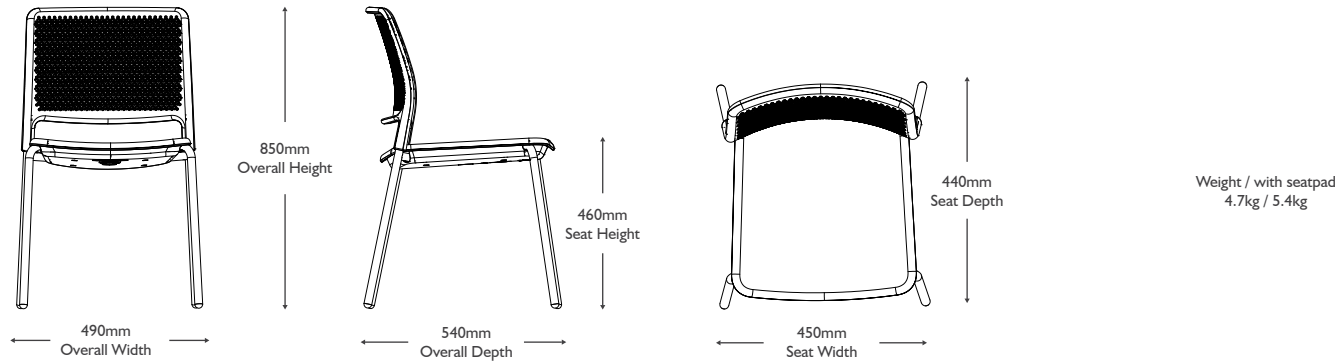
POA

Camira Fabrics

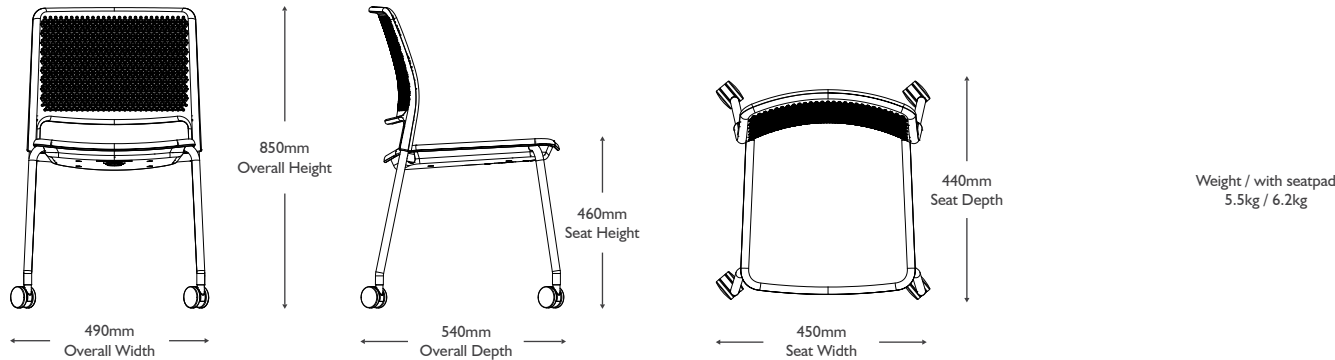
Blazer Quilt
Channel
Blazer Quilt
Hourglass
Corrosion
Nettle Collection
Synergy Hourglass
Synergy Quilt
Channel
Synergy Quilt
Chevron
Vintage
Zig Zag

PRODUCT DIMENSIONS

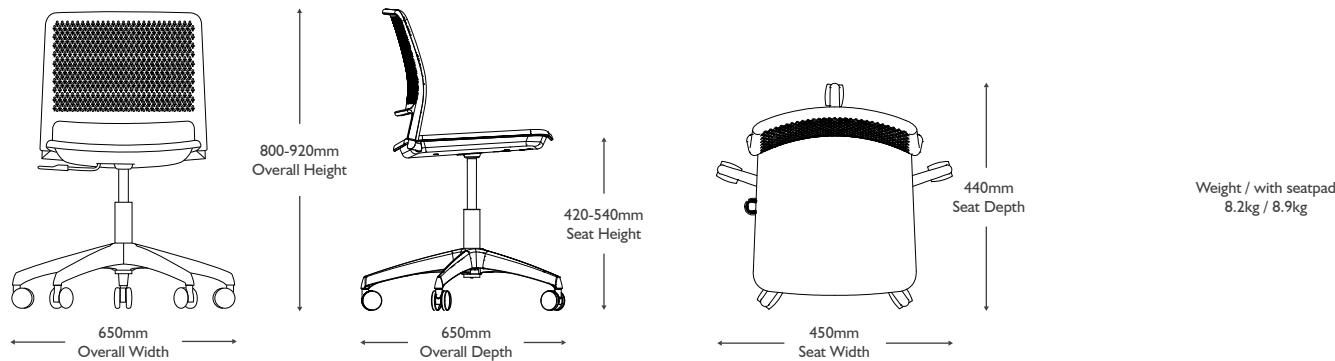
Stacking Chairs



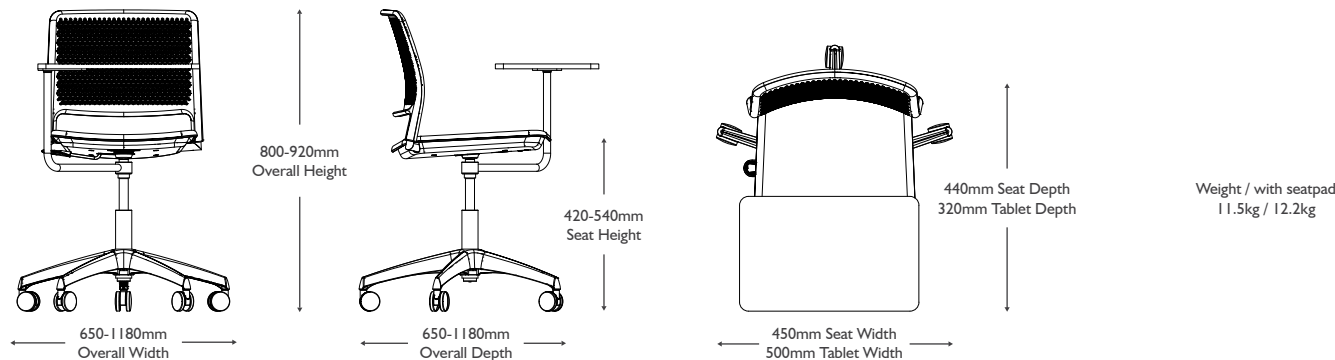
Stacking Chairs with Castors



Task Chairs with Castors/Glides



Task Chairs with Castors/Glides & Tablet Arm



ORDER CHECKLIST

Stacking Chairs

1.	Select poly colour		
		Cool Grey	
		Blue Grey	
		Flannel	
		Black	
		Surf's Up	
		Nordic Blue	
		Grass Green	
		Cayenne	
2.	Select frame colour		
		Black	
		Silver Grey	
3.	Optional castors		
		No castors	
		Carpet castors	
		Hard floor castors	
4.	Optional upholstery		
		Seat pad fabric selection(s)	

Task Chairs

1.	Select poly colour		
		Cool Grey	
		Blue Grey	
		Flannel	
		Black	
		Surf's Up	
		Nordic Blue	
		Grass Green	
		Cayenne	
2.	Select frame colour		
		Black	
		Silver Grey	
3.	Select feet		
		Glides	
		Carpet castors	
		Hard floor castors	
4.	Optional upholstery		
		Seat pad fabric selection(s)	
5.	Optional tablet arm		
		Ash Nebula / Ply edge (black arm)	

OTHER INFORMATION

Care & Maintenance Instructions

Proper care and careful use are the best methods of maintaining the appearance and finish of any product.

Polypropylene shells

For normal cleaning of poly shells, use a soft cloth with mild soap or detergent and lukewarm water. Do not use solvents, citrus/orange-based cleaners, or heavy-duty kitchen cleaners. Remove chewing gum and similar stubborn spots with cigarette lighter fluid. Wipe dry immediately. A general, non-abrasive all-purpose cleaner is ideal for light cleaning and to restore lustre to smooth surfaces. Its anti-static properties help repel dust and dirt. High-quality wax restores lustre and protects the finish.

Powdercoated metal frames

Remove chewing gum and similar stubborn spots with cigarette lighter fluid. Wipe dry immediately. It is recommended that frames be protected from water, rain, ice, snow and salt.

If gloss finish use a silicon-based spray polish to clean. For thin surface scratches wipe with thinners (pour onto a soft cloth not directly on the surface) or spray with clear lacquer. For deep scratches sand with emery paper, clean and repaint with appropriate spray gloss/matt paint.

Note: Colour match is critical, spray onto white photocopy paper and check colour before spraying.

Laminate surfaces

Use an all-purpose cleaner to remove ink stains, crayon and water-based paint marks. Use thinners to remove oil-based paint stains (pour onto a soft cloth, not directly on the surface). For superficial surface scratches use linseed oil (not for deep scratches).

Note: Do not wipe any PVC edging with thinners, as this will damage it. Never use excessive water to clean work surfaces. Wetness or excessive moisture can cause laminate top table to well, warp or appear to grow in thickness.

Vinyl fabric

Use normal dishwashing liquid with warm water and a soft cloth. Dry with a clean soft cloth.

Polyester & wool fabric

Use dry carpet pellets or powder for wet stains, let dry and brush off or vacuum. Use a standard upholstery cleaner foam for dry stains, spray lightly over the stain and brush off after 5 minutes.

KI (UK) Ltd Rights & Warranties

15 year warranty, 5 year warranty on task base & gas column.

For full details, please refer to our website:

<https://www.kieurope.com/customer-service/legal-privacy/warranties>

Environmental Information

Materials

- 100% polypropylene backrest & seat
- 100% recycled polypropylene underseat shroud
- 100% powdercoated steel frame
- Seatpad - 4mm foam fixed with adhesive directly onto seat shell, fabric secured by C-Gex with bias banding
- Task base - 100% nylon
- Glides - nylon with steel pin
- Castors - nylon with steel pin & components
- Tablet arms - worksurface 15mm BB/BB birch ply board, finished with laminate surface, two-coat lacquer edge. Arm 100% powdercoated steel.

Packaging

- 100% recyclable cardboard cartons
- 1 x task chair or 2 x stacking chair per carton

Certification

- **Indoor Advantage™ Gold - Furniture**
This product has been independently assessed by [SCS Global Services](#) to be certified for low volatile organic compound (VOC) emissions. The Indoor Advantage™ Gold standard aligns with both ANSI/BIFMA M7.1 and X7.1, and CA01350. Suitable for projects aiming to achieve [SKA](#), [BREEAM](#), [WELL](#), [LEED v4](#) and more.
- **EN16139:2013, Test Level 1 - Furniture**
Strength, durability and safety - Requirements for non-domestic seating (for adults weighing up to 110kg)

Design Resources

Images libraries, certificates, CAD/Revit models and more resources are available on www.kieurope.com





SEATING GRAFTON

Visit our HQ & Showroom

KI (UK) Ltd
New Fetter Place
8-10 New Fetter Lane
London, EC4A 1AZ
Tel: +44 (0)20 7405 7082
info@kieurope.com
www.kieurope.com

*KI and Furnishing Knowledge are registered
trademarks of Krueger International Inc*

October 2020

