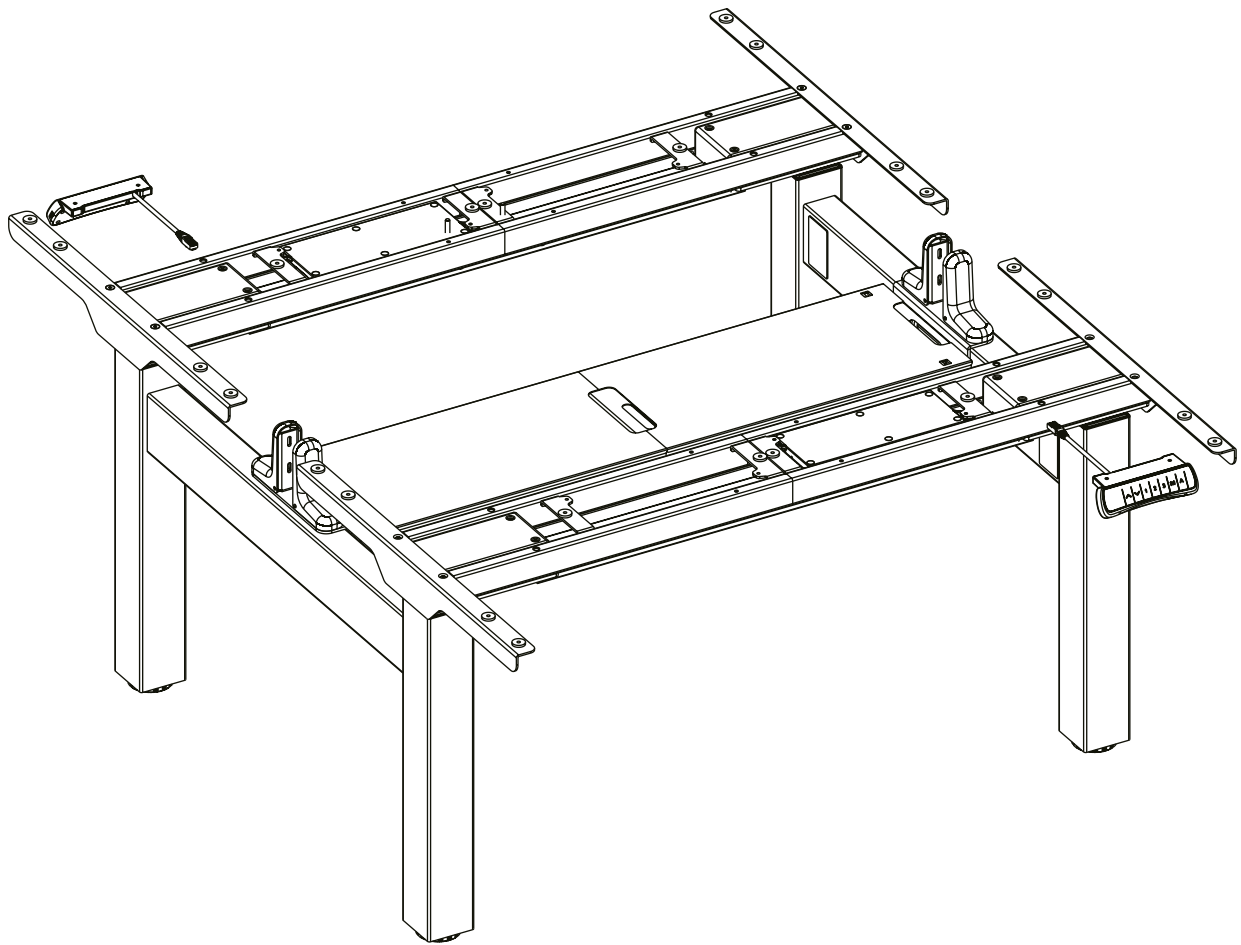


3 Stage Height Adjustable Back-to-Back Desk (HAFD233)

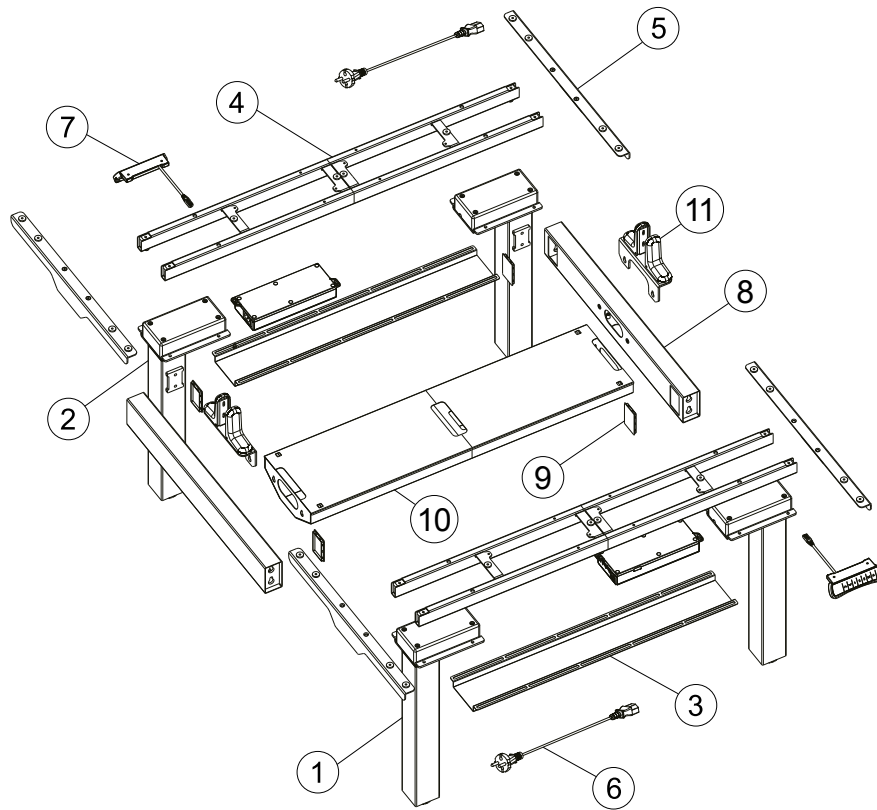
Assembly Instructions



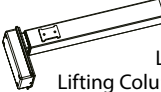
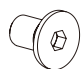
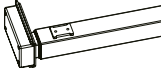


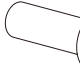

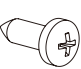




UNPACKING INSTRUCTIONS

Carefully open the carton, and lay out the parts on a protective surface to avoid damage. Check pack contents against the parts list to ensure all components have been received. Do not use damaged or defective parts. Carefully read all instructions before starting assembly of the desk.

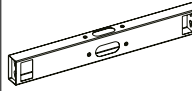
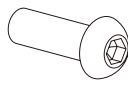
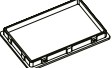

PARTS OVERVIEW



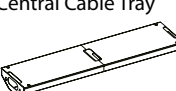
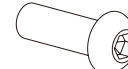
DESK FRAME PARTS LIST

Part	Description	Qty	Part	Description	Qty
1	 Left Lifting Column	2	A	M6 x 10 CSK 	4
2	 Right Lifting Column	2	B	M6 x 10 	4
3	 Cable Tidy Tray	2	C	M6 x 16 	12
4	 Supporting Beam w/ Control Box	2	D	ST4.2 x 19 	16
5	 Desktop Cross Beam	4	F	Allen Key 4mm 	1
6	 Mains Power Lead	2	There are 2 screw kits in total		
7	 Hand Switch	2			

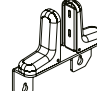


LEG BEAM PARTS LIST

Part	Description	Qty	Part	Description	Qty
8	 Leg Beam	2	E	M8 x 16 	8
9	 Decorative Cover	4	G	Allen Key 5mm 	1

OPTIONAL CABLE TRAY PARTS LIST

Part	Description	Qty	Part	Description	Qty
10	 Central Cable Tray	1	C	M6 x 16 	4


OPTIONAL SCREEN BRACKET PARTS LIST

Part	Description	Qty	Part	Description	Qty
11	 Screen Bracket	2	C	M6 x 16 	4
			H	ST4.2 x 13 	8

STEP 1

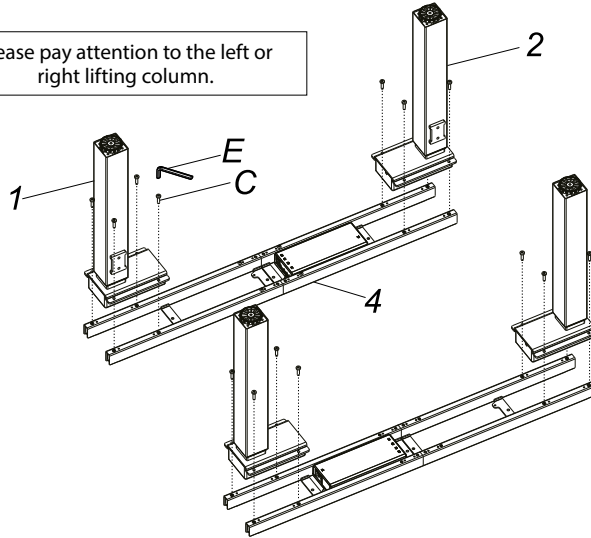
Install the lifting columns (1 & 2).

C  x16

F  4mm



Please pay attention to the left or right lifting column.



TOP TIP
For each component, always start all screws in their threads before tightening any screw fully.

Insert the lifting columns (1 & 2) into the ends of the supporting beam (4). Fix with screws (C) and allen key (E).

STEP 2

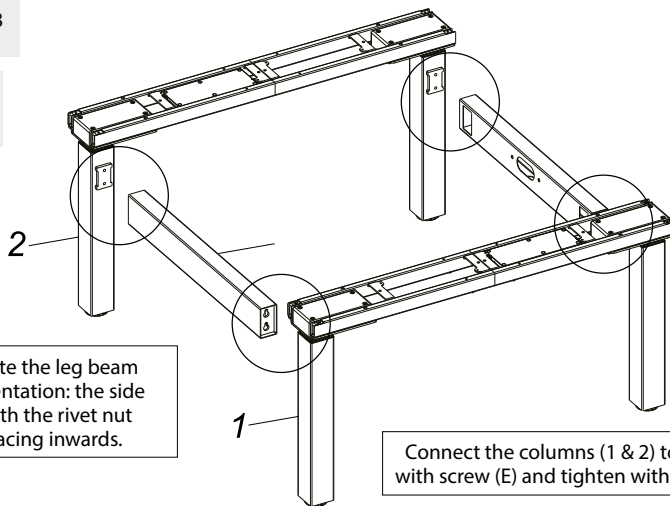
Install the leg beams (8).

E  x8

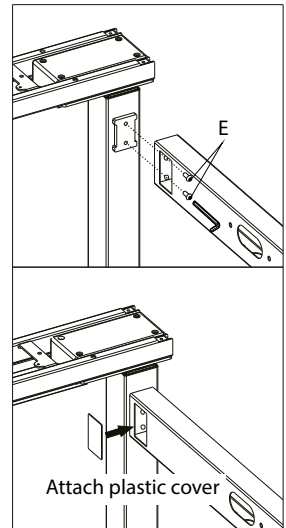
G  5mm



Note the leg beam orientation: the side with the rivet nut facing inwards.



Connect the columns (1 & 2) to the leg beam (8) with screw (E) and tighten with 5mm allen key (G).



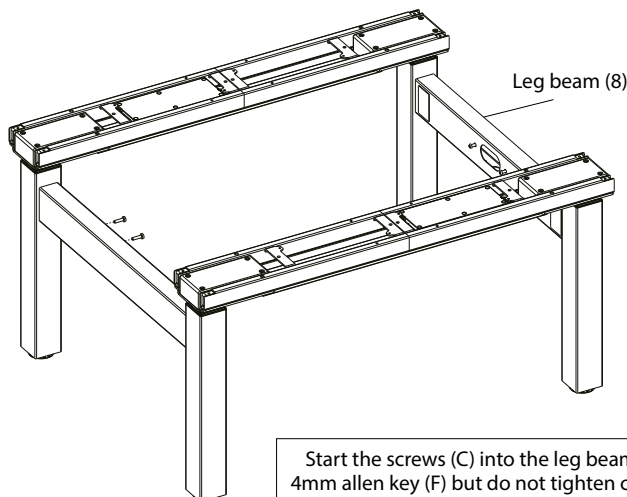
Attach plastic cover

STEP 3 (OPTIONAL)

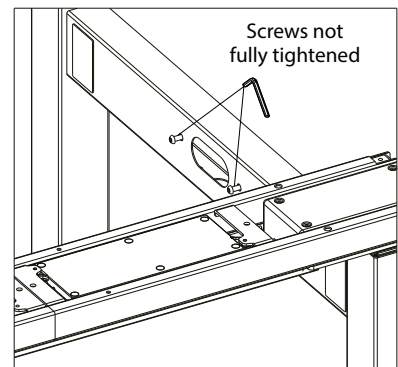
Install the screen bracket screws.

C  x4

F  4mm



Leg beam (8)

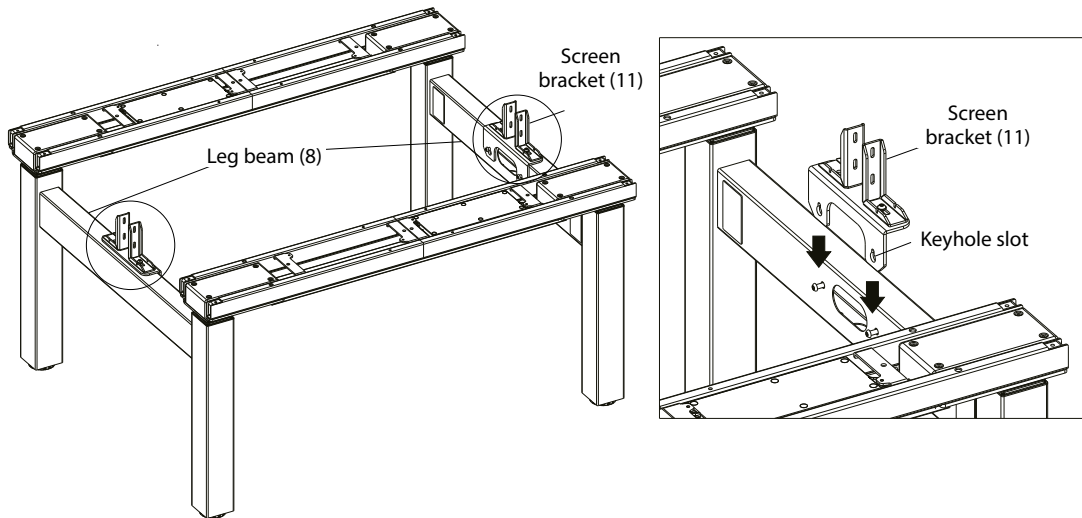


Screws not fully tightened

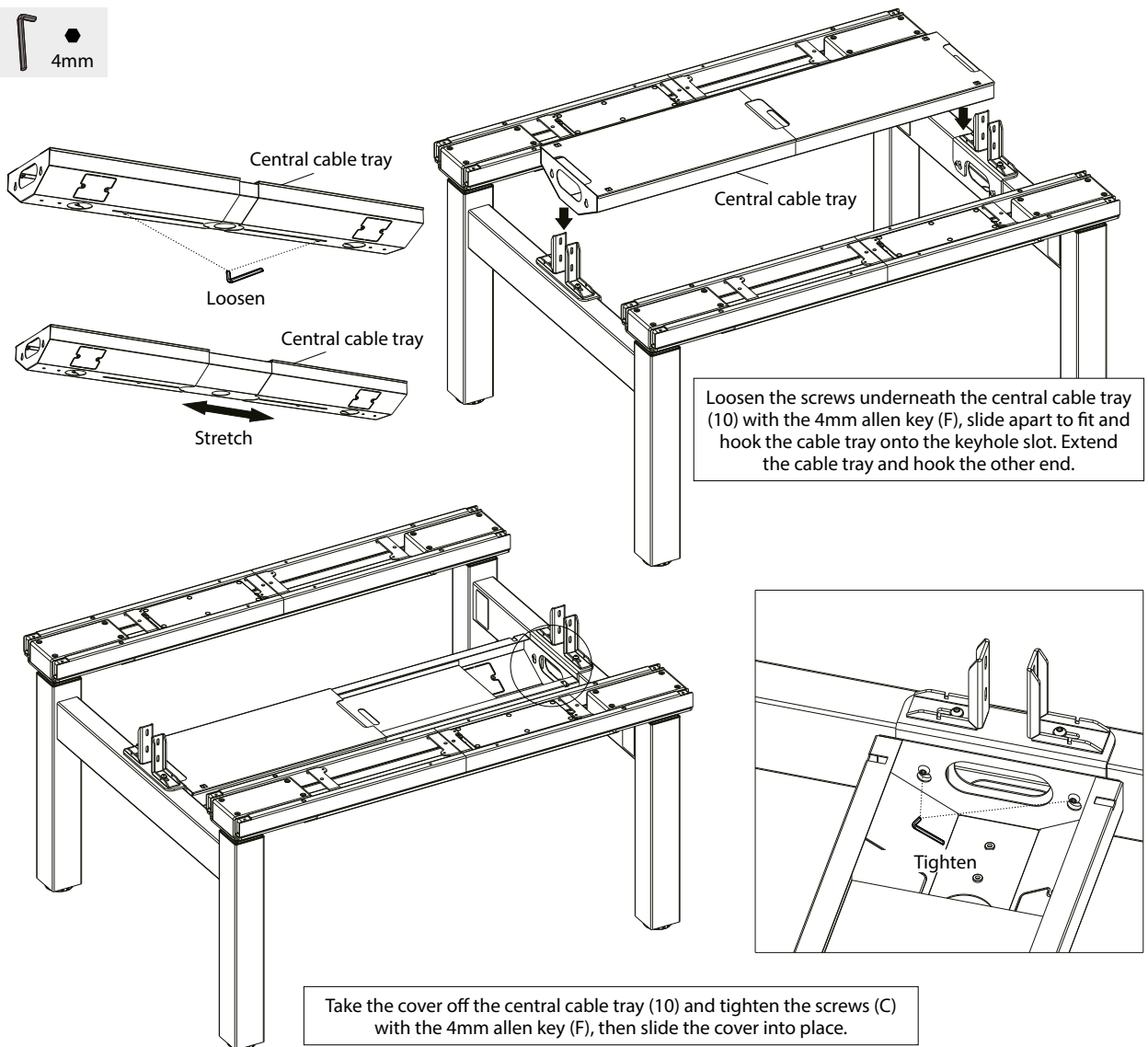
Start the screws (C) into the leg beam (8) with 4mm allen key (F) but do not tighten completely.

STEP 4 (OPTIONAL)

Install the screen brackets (11).

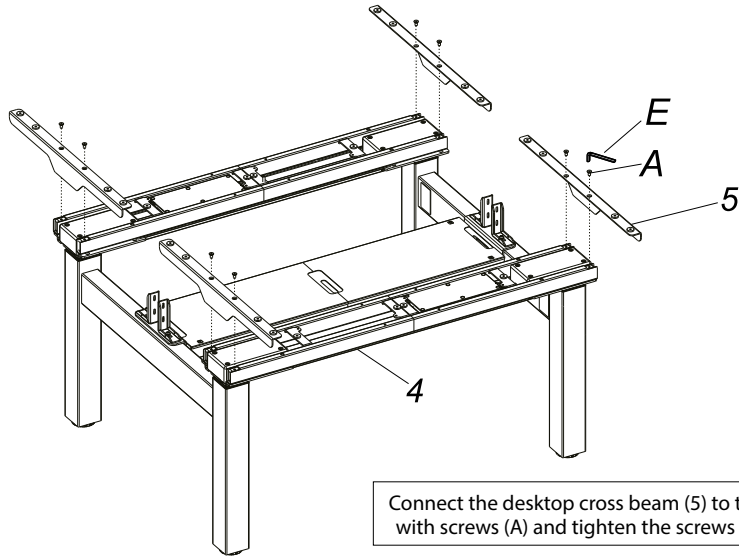
**STEP 5 (OPTIONAL)**

Install the central cable tray (10).



STEP 6

Install the desktop cross beam (5).

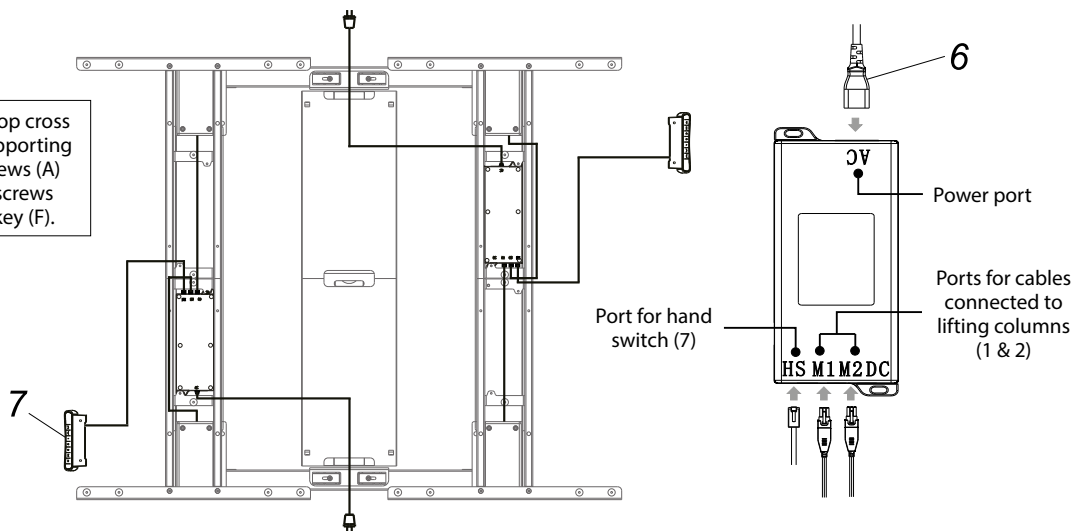
A  x4F  4mm

Connect the desktop cross beam (5) to the supporting beam (4) with screws (A) and tighten the screws with 4mm allen key (F).

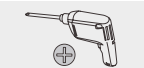
STEP 7

Connect cables (6 & 7) to control box.

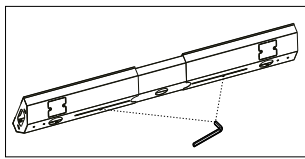
Connect the desktop cross beam (5) to the supporting beam (4) with screws (A) and tighten the screws with 4mm allen key (F).

**STEP 8**

Install the desktop and hand switches (7).

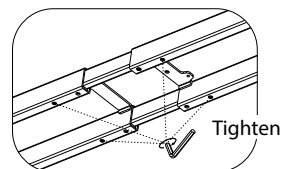
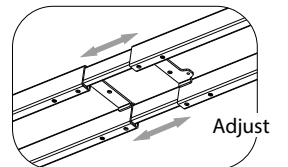
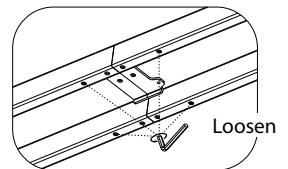
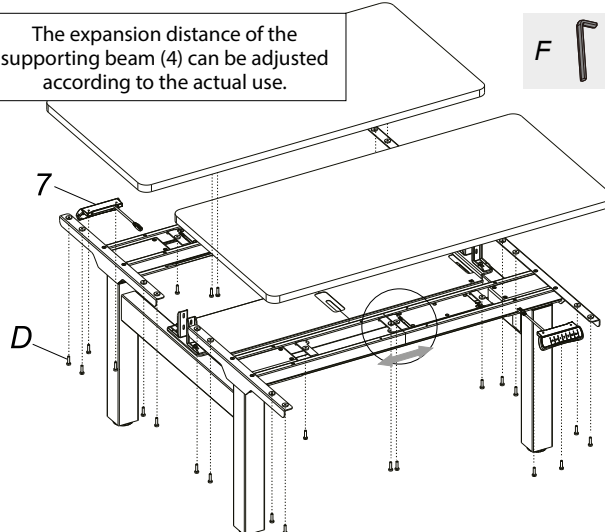
D  x24

2



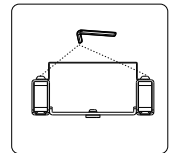
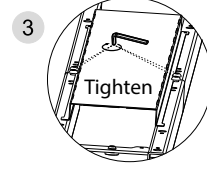
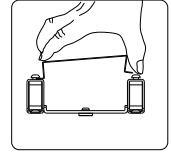
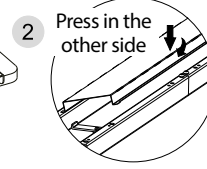
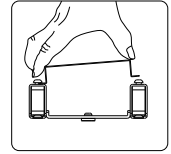
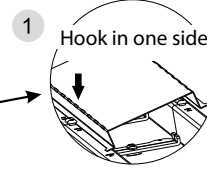
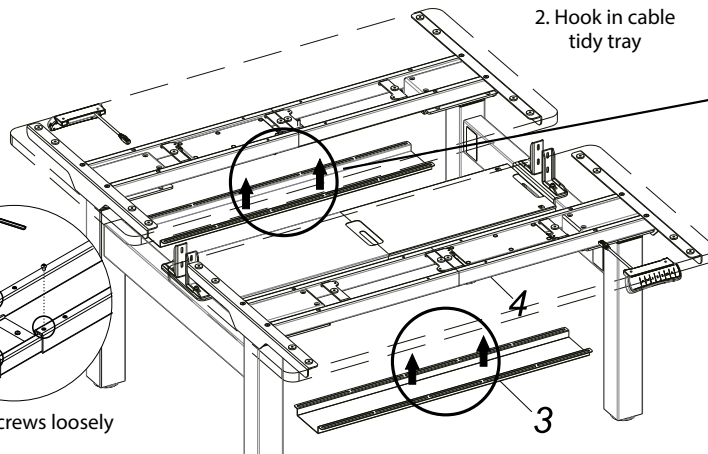
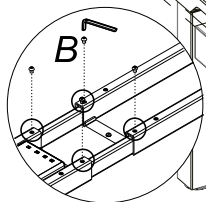
Tighten the screws underneath the central cable tray (10) with 4mm allen key (F).

The expansion distance of the supporting beam (4) can be adjusted according to the actual use.

F  4mm

STEP 9A


Install the cable tidy tray (3) - Method 1.

B  x8F  4mm

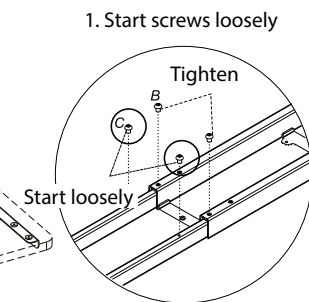
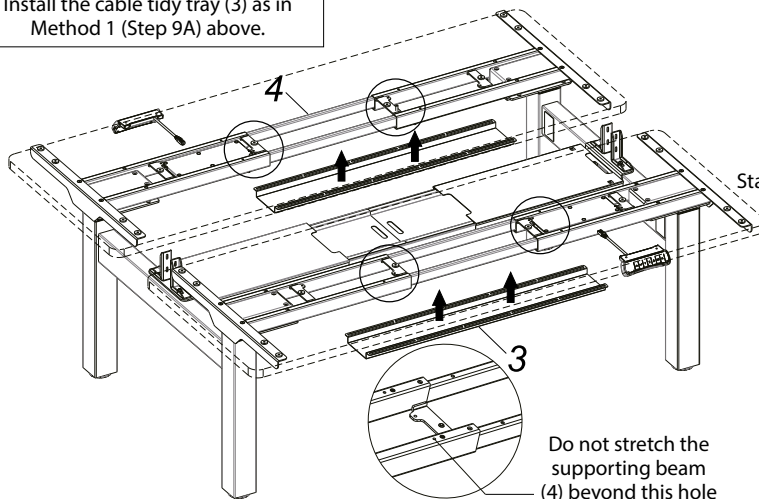
Start the screws (B) into the supporting beam (4) with 4mm allen key (F), do not tighten. Hook one edge of the cable tidy tray (3) under the screw head then press in the other side. Finally tighten screws with 4mm allen key (F).

STEP 9B

Install the cable tidy tray (3) - Method 2.

B  x8C  x8F  4mm

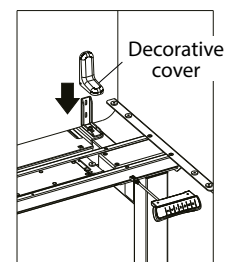
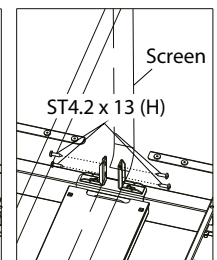
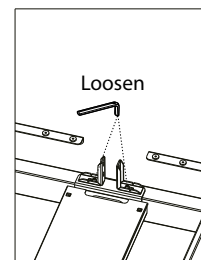
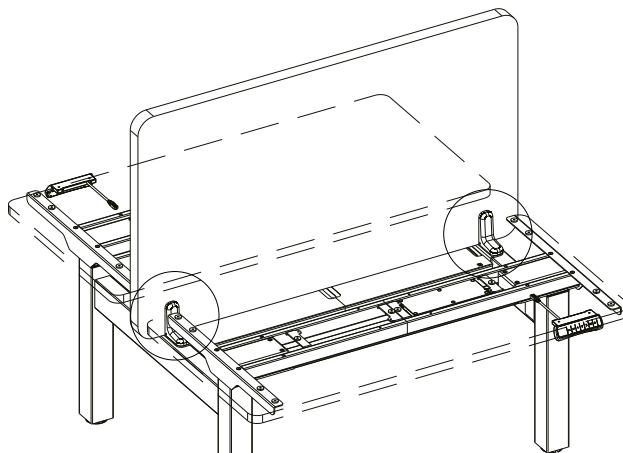
Install the cable tidy tray (3) as in Method 1 (Step 9A) above.



When the supporting beam (4) stretches over 1720mm the cable tidy tray (3) needs to be mounted on the middle of the supporting beam (4).

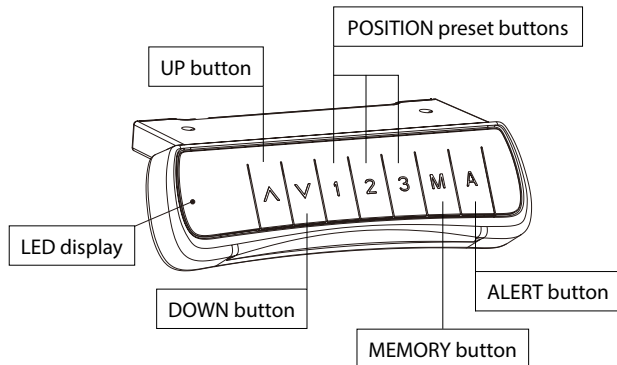
STEP 10

Install the screen.

H  x8F  4mm

Loosen the screws on screen brackets (11) with 4mm allen key (F) and adjust the position according to the thickness of the screen, then fix the screen in place with self tapping screws (H). Finally slide on the decorative cover.

HEIGHT CONTROL INSTRUCTIONS



ADJUST HEIGHT

Press UP or DOWN button. Display shows the current height.

MEMORY FUNCTION

Press UP or DOWN button to adjust the desk to the required height. Press MEMORY button to store the height. The display will show 5-. Now press a POSITION button to store the height on preset 1, 2 or 3. The display will show 5-1, 5-2 or 5-3. Press a POSITION preset button to adjust the desk to the saved height.

ANTI-COLLISION SENSITIVITY

Press UP and DOWN buttons at the same time to adjust the sensitivity of the anti-collision system. 3 levels of sensitivity are available, low #-1, medium #-2 or high #-3.

TECHNICAL DATA

Column Number	3
Maximum Load	125kg
Maximum Speed	38mm/second
Input Voltage	100-240v
Lowest Position	580mm
Highest Position	1230mm
Desktop Size	Width 1100-1900 mm Depth 700 or 800mm
Duty Cycle	Continuous operation for 2 mins at most after pause for 18 mins
Operating Temperature Range	0-40°C

REMINDER FUNCTION

Press ALERT button to activate. The display will show 00. Wait 2 seconds for the display to flash then press the UP or DOWN button. The screen will display :45 which is the default reminder duration of 45 minutes. Now press any button to save this setup, or wait 5 seconds and the system will save automatically. The timer will countdown to zero. During the countdown press any button to reset the countdown timer. When it reaches zero :00 the buzzer will activate with a 10 second tone. Within 10 seconds press any button to reactivate the countdown timer. If no button is pressed during 10 seconds there will be another reminder buzzer after 5 minutes. If no button is pressed during the second buzzer the reminder function will switch off automatically. Press and hold the ALERT button to switch off the reminder function. The display will show OFF.

TROUBLESHOOTING

Symptom	Possible Cause	Remedy
1 No response from a long press of the DOWN button after power is connected.	Cables not connected properly.	Check connections and retry.
	Power supply off.	Check power supply.
	Other fault.	Contact your supplier.
2 Desk does not lift when up button is pressed.	Overloaded (maximum load 125kg including desktop).	Check and lighten load if necessary.
	Power or connection fault.	Check power supply and connections in Symptom 1.
	Other fault.	Contact your supplier.
3 Cuts out during use. Display shows 'E01' or 'E02'.	Duty cycle exceeded 2 minutes on - 18 minutes off.	Wait 30 minutes for the motors to cool and retry.
	Other fault.	Contact your supplier.
4 Desk will not go high enough or low enough.	Factory reset required.	Press 'M' and '3' buttons together for more than 3 seconds and wait for 2 long beeps.
	Other fault.	Contact your supplier.
5 Display shows #5f	Reset required.	Press DOWN button until desk reaches it's lowest position and rebounds to stop.

SAFETY

Assembly

- Only to be assembled by a competent person - check carefully for complete and correct assembly before use.
- Dispose of packaging in an environmentally-friendly manner. Recycle cardboard and paper.
- Keep plastic and small parts out of the reach of children. Danger of suffocation/choking.

Product care

- Unplug before servicing and cleaning.
- Wipe surfaces with a damp microfibre cloth - do not spray cleaner near electrical parts or connections.
- Do not use chemical or abrasive cleaners.
- Do not leave work surface wet.
- Use a drinks coaster to prevent marks.
- Use a mouse mat to prevent abrasion of the work surface.

End of life disposal

- This product must be recycled in accordance with WEEE directives.

