

HIGH BACK MESH CHAIR

ASSEMBLY INSTRUCTIONS-PLEASE KEEP FOR FUTURE REFERENCE



Important-please read these instructions fully before starting assembly

Safety and Care Advice

Important – Please read these instructions fully before starting assembly

- Check you have all the components and tools listed on pages 2 and 3.
- Remove all fittings from the plastic bags and separate them into their groups.
- Keep children and animals away from the work area, small parts could choke if swallowed.
- Make sure you have enough space to layout the parts before starting.

- Do not stand or put weight on the product during assembly, this could cause damage.
- Assemble the item as close to its final position (in the same room) as possible.
- Assemble on a soft level surface to avoid damaging the unit or your floor.
- Parts of the assembly will be easier with 2 people.



- We do not recommend the use of power drill/drivers **for inserting screws**, as this could damage the unit. Only use hand screwdrivers.
- Dispose of all packaging carefully and responsibly.

Care and maintenance

- Only clean using a damp cloth and mild detergent, do not use bleach or abrasive cleaners.
- From time to time check that there are no loose screws on this unit.

- Do not stand on the chair.
- Do not use this chair as step ladder.
- This product should not be discarded with household

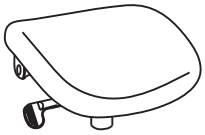
waste. Take to your local authority waste disposal centre.

Handy Hints

- Assemble all parts and bolts loosely during assembly, only once the product is complete should you fully tighten the bolts.
- Regularly check and ensure that all bolts and fittings are tightened properly.

Components - Parts

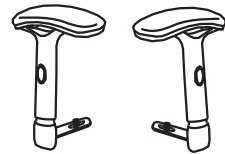
Please check you have all the parts listed below



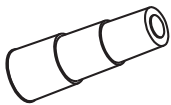
1 Seat x 1



2 Backrest x1



3 Left armrest x1 & Right armrest x 1



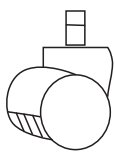
4 Gas lift coverX1



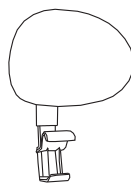
5 Gas lift x 1



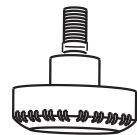
6 Base x 1



7 Castors x 5



8 Headrest X 1



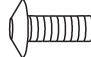




9 Arms buttonX2

Components - Fittings

Please check you have all the fittings listed below.

Note: The quantities below are the correct amount to complete the assembly.
In some cases more fittings may be supplied than are required.

A  Washer X3X18mm	B  Spring washerX3	C  18mm Bolts X3
D  M3 Allen Key (supplied)	E  M5 Allen Key (supplied)	

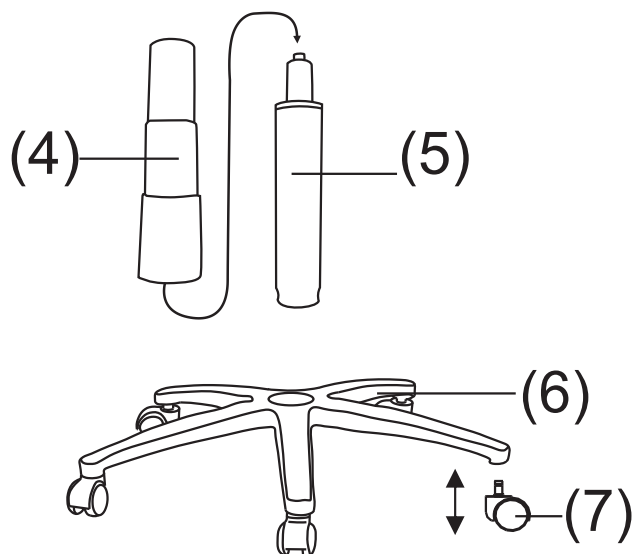
Assembly Instructions

Step 1

Fitting the base

a: Push all the five castors (7) into the underside of the base (6).

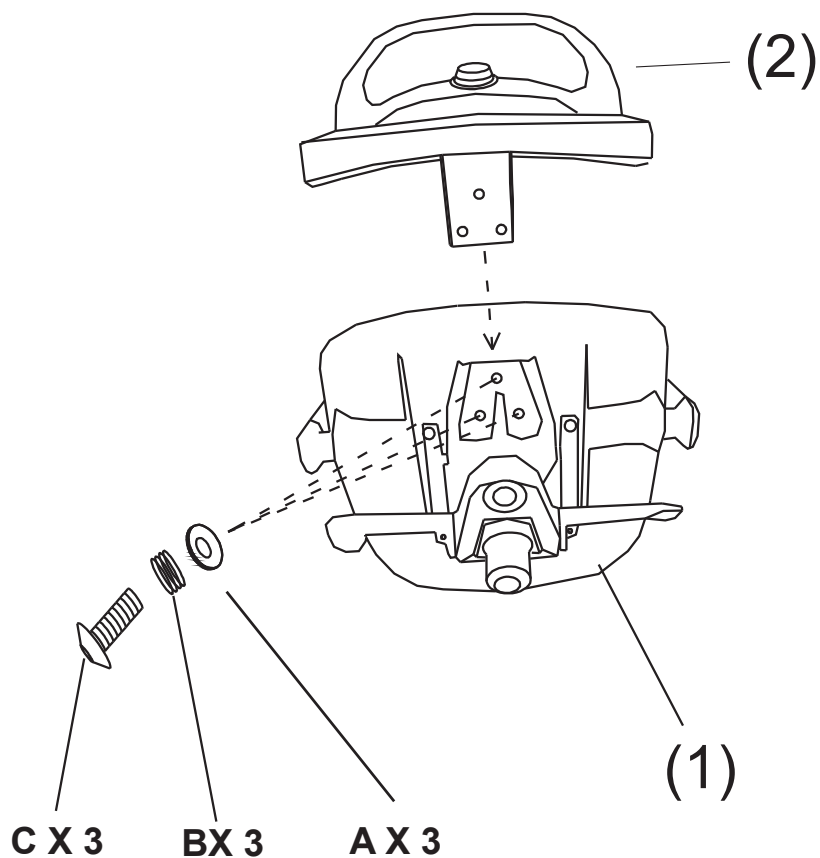
Insert the gas lift (5) into the base (6). Put the gaslift cover (4) onto the gaslift (5).



Step 2

Fitting the Backrest

Use bolts (C) and washer (A) and spring washer (B) to fix the backrest (2) onto the seat (1).

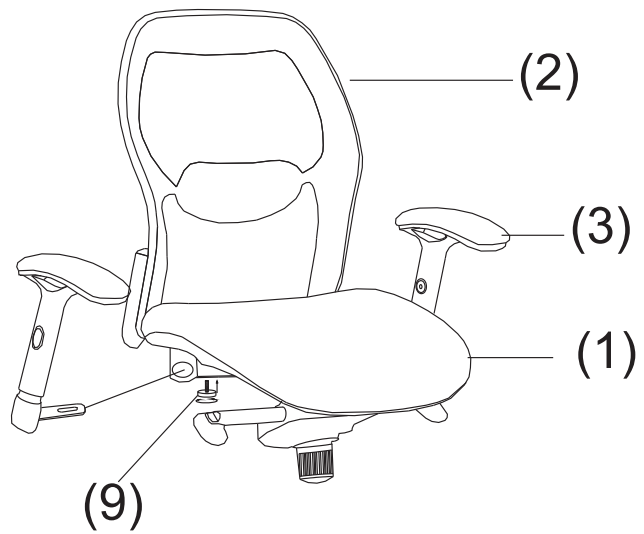


Assembly Instructions

Step 3

Fitting the Armrests

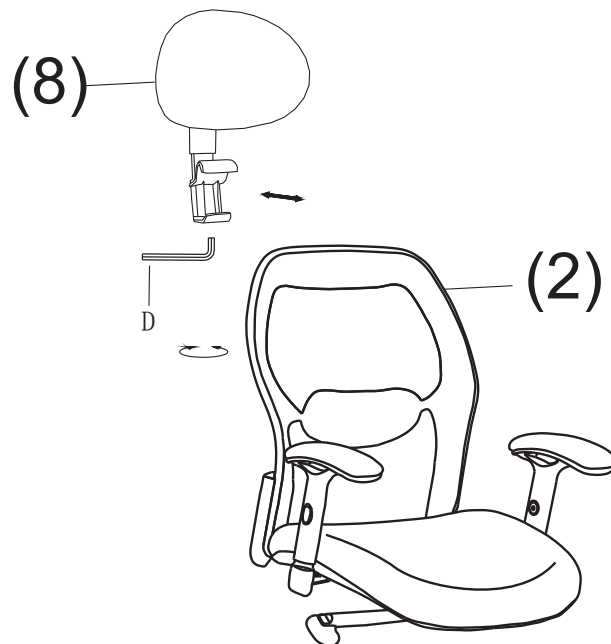
Use arms bottom (9) to fix the armrests (3) and seat (1)



Step 4

Fitting the Headrest

Use Allen Key (D) to fix the headrest (8) onto the backrest (2)



Assembly Instructions

Step 5

Carefully locate the seat **1** onto the base unit.

