

Levo [Updated]

Dynamic monitor arm for single screen
GMA921



Features

One touch height adjustment with smooth gas lift

Innovative connector pin and locking cover – effortless conversion from single to dual and vice versa

Easy head adjustment with ball joint

Quick-release 75mm/100mm VESA mounting plates with hand-turn fixing screws

Optional 180° rotation stop

High capacity integrated cable management

Tension adjustment indicator helps reduce office installation times

Adjustment hex keys stored in base

Optional through-desk clamp - sold separately

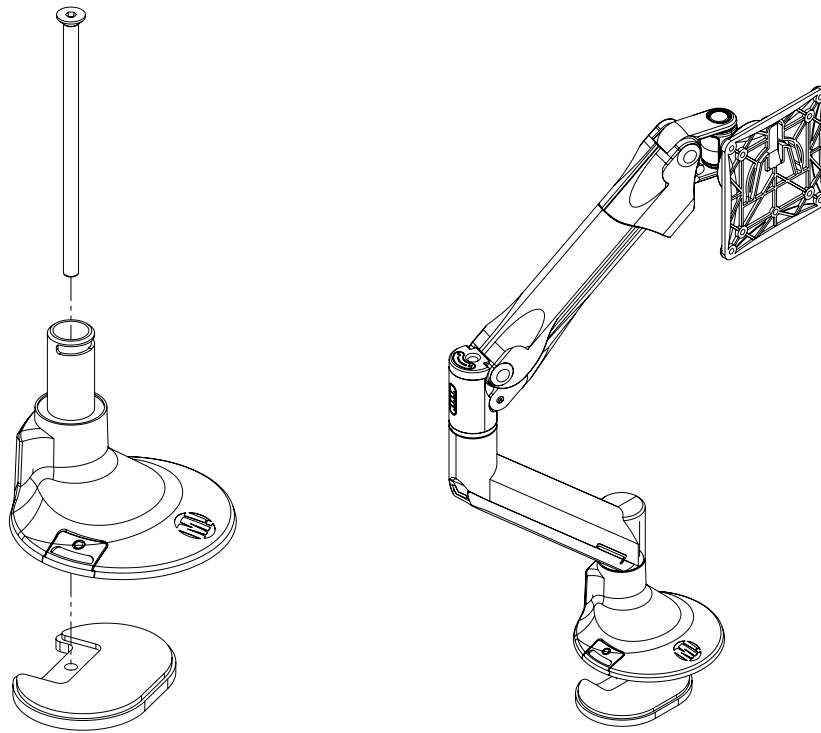
Desk edge and through-desk clamps, tightened from above desktop

Available in black or white

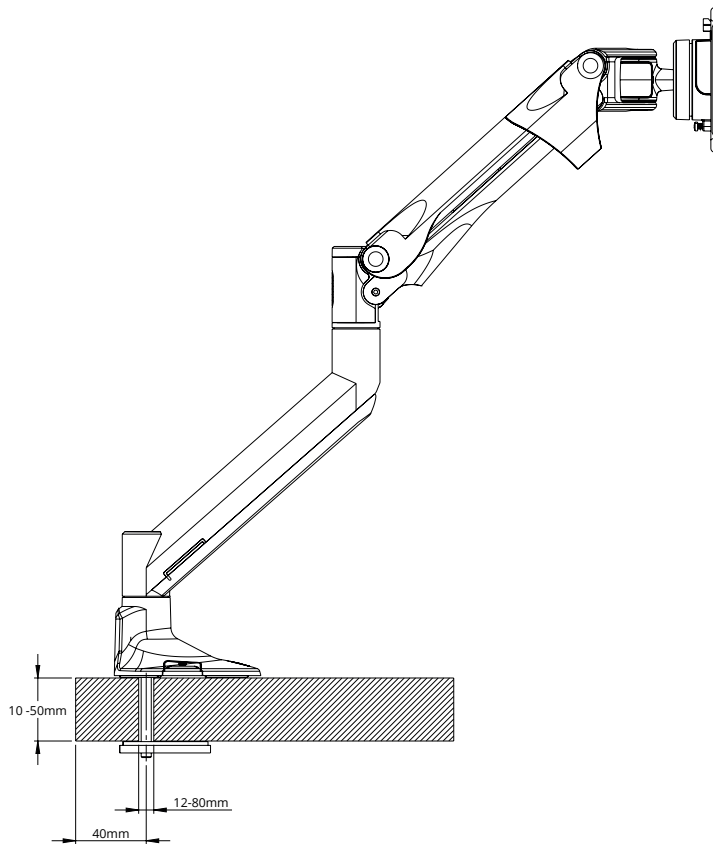
Plastic free packaging

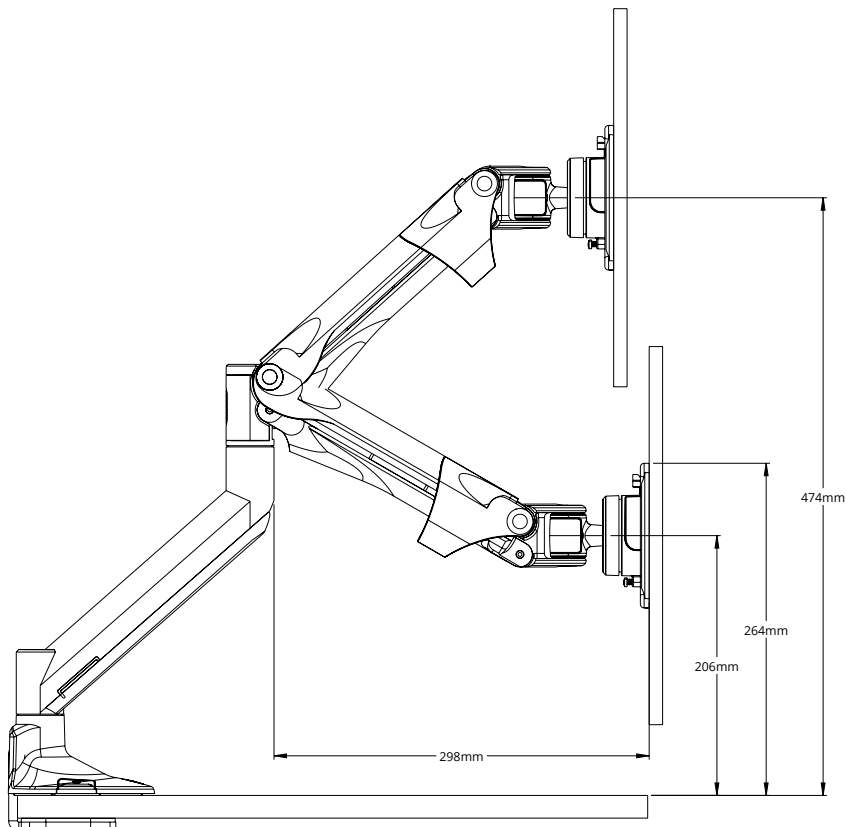
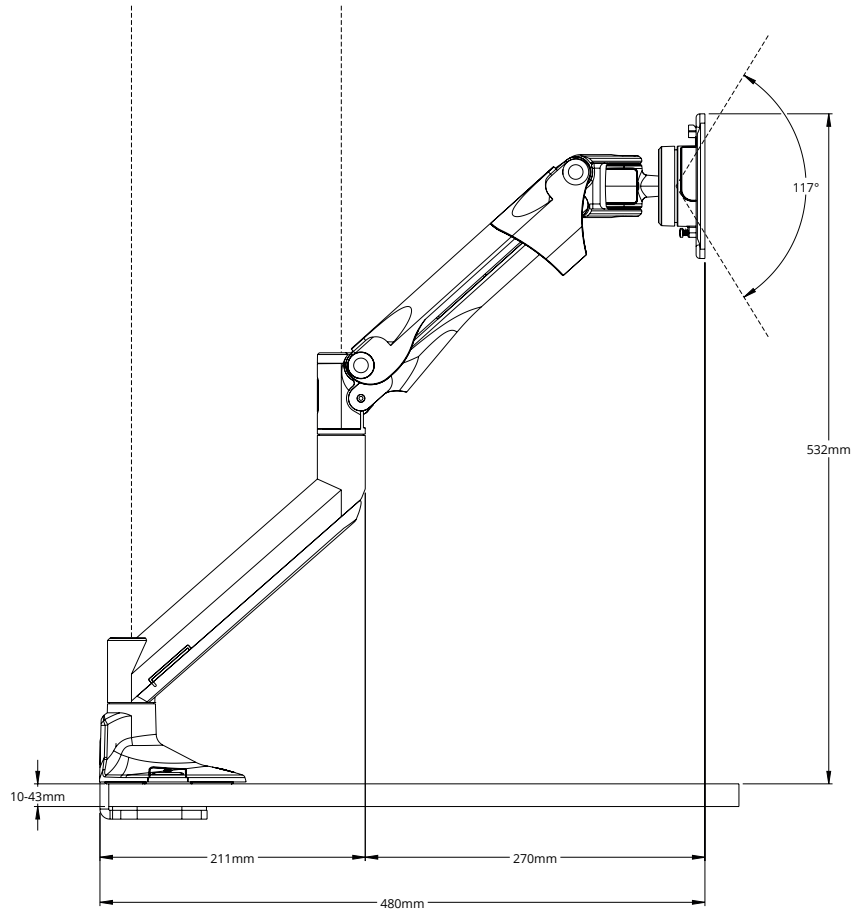
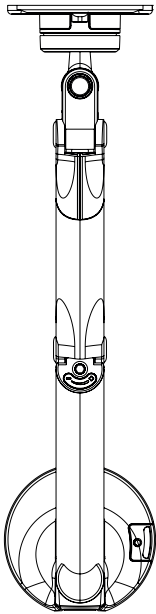
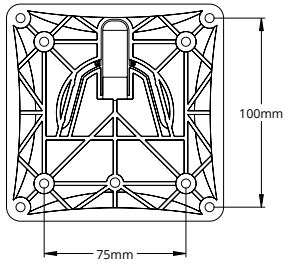
Dimensions	See pages 2 and 3
Capacities	Supports screens 2-10kg
Desktop Thickness	10-43mm
Weight	2.08kg
Materials	Steel, plastic
Warranty	5 years
Boxed Dimensions	W770 x D180 x H140 mm
Boxed Weight	3kg
Outer Box Dimensions - 4 units	W790 x D380 x H305 mm
Outer Box Weight - 4 units	13kg





Through-desk clamp
sold separately
GMA9TD-BK





Levo Twin Rail [Updated]

Twin/dual screen rail VESA attachment
TSR902-BK



Levo monitor arm
sold separately
GMA921

Features

Innovative connector pin and locking cover – effortless conversion from single to dual and vice versa

Compatible with 2 screens weighing 1-4kg each

Quick-release 75mm/100mm VESA mounting plates with hand-turn fixing screws

Fits up to 27" monitors

Tactile tilt and rotation adjustment

Removable adjustment handle

Easy install - no tools required!

Available in black only

Plastic free packaging

Dimensions	See page 2
Capacities	Supports 2 screens 1-4kg Up to 730mm max. screen width
Weight	1.03kg
Materials	Steel, plastic
Warranty	5 years
Boxed Dimensions	W870 x D190 x H117 mm
Boxed Weight	2.2kg
Outer Box Dimensions - 4 units	W890 x D400 x H260 mm
Outer Box Weight - 4 units	9.8kg

