

# METALICON®



ERGONOMIC ACCESSORIES





Don't forget Metalicon® products come with our 10 year\* manufacturer warranty.

## Discover Metalicon®

A growing range of ergonomic workspace accessories intelligently designed by our team of experts

**The Metalicon® product range was launched back in 2012 in response to a growing need for robust but refined accessories to support the office furniture market. We now supply Metalicon® products to customers worldwide.**

The office environment has changed dramatically over the last decade with an increased focus on wellbeing, in particular employers pay high attention to workplace ergonomics and the relationship to productivity.

We launched our first pole-mounted monitor arm in 2013 to help office workers avoid the risks associated with display screen equipment and save valuable desk space. Our Kardo® range has proved very popular and now includes arms for single, dual and quad screen setups.

Metalicon® has since added more monitor arms, strong and flexible cable management and compact power modules to our growing product portfolio. We look forward to announcing further intelligently designed product developments very soon.



# Levo

Dynamic monitor arm with dual screen mount

Our updated Levo monitor arm remains effortless to adjust whilst the patented connector pin system makes it easy to reconfigure for dual screens.

Simple to install, Levo is perfect for single or dual screens in agile working environments or with large touch screens at exhibitions or in reception areas.



Watch the video  
[metalicon.com/levo](https://metalicon.com/levo)

One-touch  
easy position  
adjustment is  
ideal for hotdesk  
workspaces

Patented connector pin  
system for converting  
single arm to dual

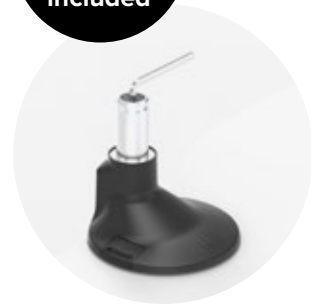


Quick-release 75/100mm  
VESA mount with hand-  
turn screws

Smooth gas lift for easy  
height adjustment

Optional 180°  
rotation stop

Easy  
to install.  
All tools  
included



Desk-edge clamp is  
tightened from above  
for easy installation



Through-desk clamp  
option available

Available  
in black,  
or white





High capacity integrated cable management easily holds 4 cables



All adjustment tools included, stored neatly inside the base



Convert to laptop riser with universal VESA attachment

LEVO MONITOR ARM	MAX. CAPACITY	ARM FINISH
Gas lift monitor arm for single screen/monitor	10kg	Black
Twin screen rail mount to convert single arm to dual screens/monitors	2 x 4kg	White*
Universal laptop riser mount	10kg	



Available  
in black,  
or white\*



# Kardo®

Pole-mounted monitor arms

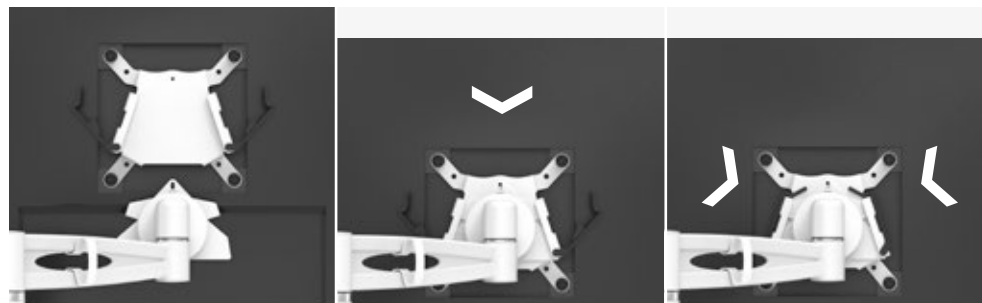
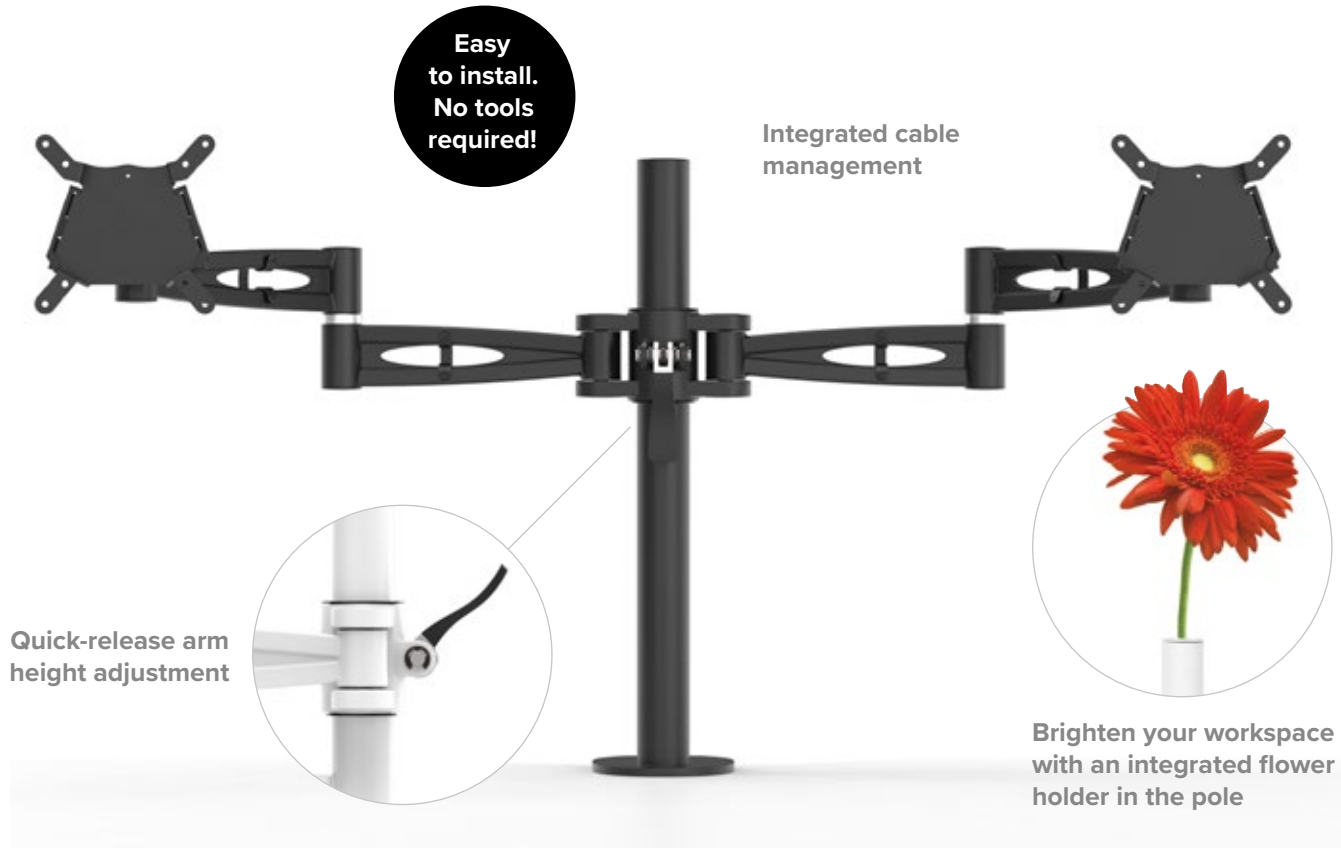
Since launching Kardo® in 2013 we've sold over 250,000 monitor arms to customers worldwide. We believe they are so popular due to their appealing aesthetic and being simple to install.

## Dual screen display

With a 400mm high pole and dual multi-tilt arms the dual option holds two screens up to 27" in size (20kg total weight)



Watch the video  
[metalicon.com/kardo](http://metalicon.com/kardo)



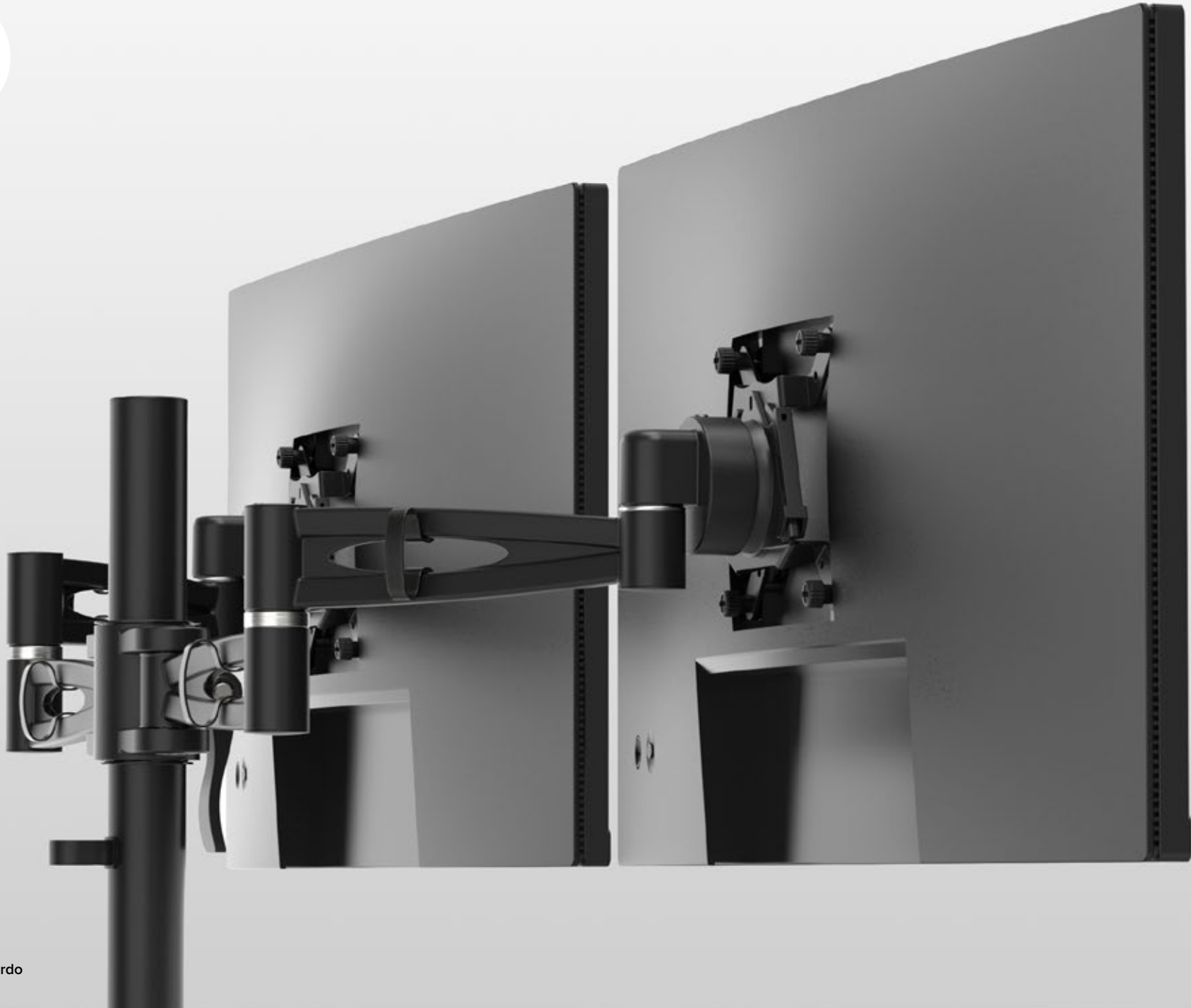
Single person install - quick-release removable VESA mounting plates (75/100mm) fix to screen with hand-turn screws. Slide screen effortlessly onto Kardo arm with locking clips to hold screen in place.



Choose between a preassembled desk edge clamp or through-desk fixing (both hand-turn screw). If space beneath the desktop is limited a low profile mini clamp option is available (requires hex/allen key).

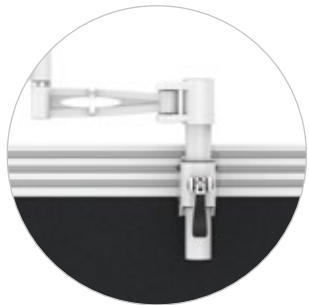


Available  
in black,  
white or  
grey



### Single screen display

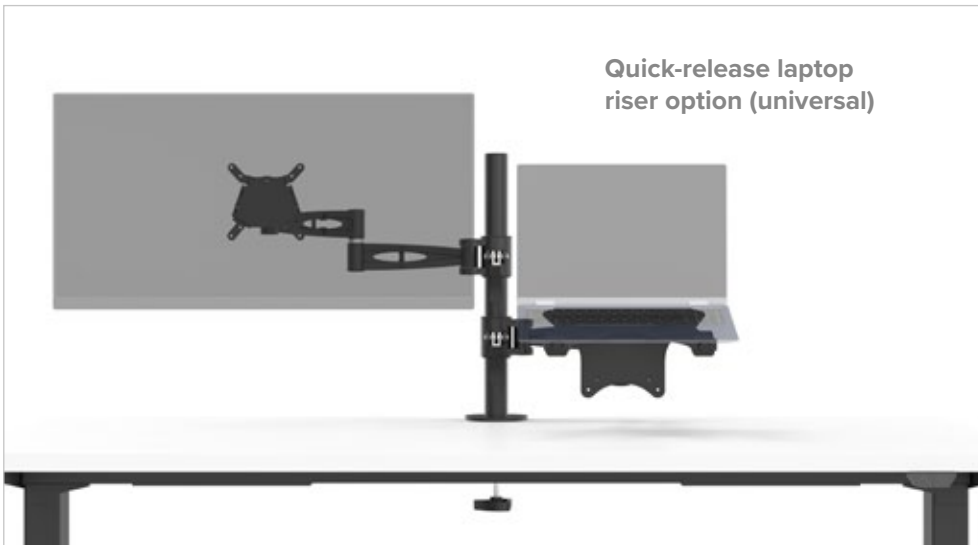
With a 400mm high pole and a single multi-tilt arm the single screen option holds one screen, up to 12.5kg in weight. An inverted single arm is available to convert a single arm to dual.



Tool rail mounted arm option for single screen



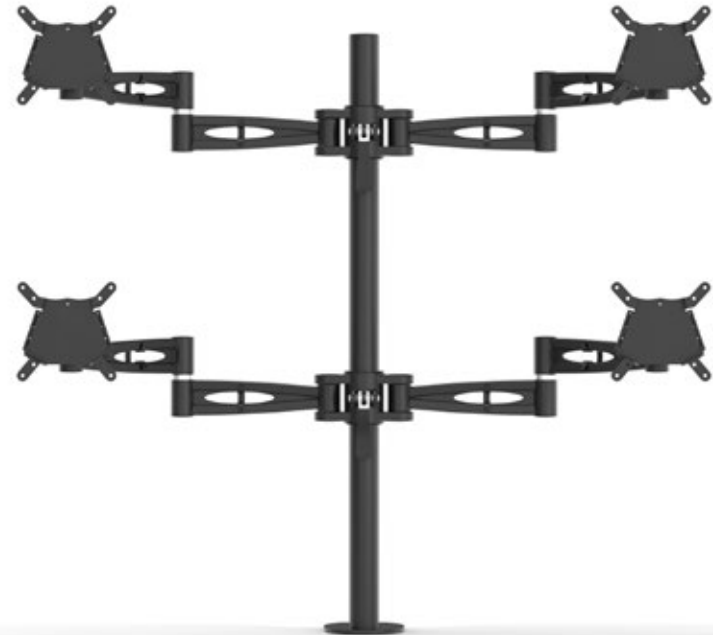
Integrated cable management keeps workspaces clear



Quick-release laptop riser option (universal)

### Quad screen display

With a 700mm high pole and 4 multi-tilt arms the quad arm option holds 4 screens up to 27" in size (32kg total weight)



KARDO® MONITOR ARMS	MAX. CAPACITY	FINISH
Monitor arm for single screen	12.5kg	Black (RAL 9017)
Monitor arm for twin/dual screens	2 x 10kg	White (RAL 9016)
Monitor arm for 4 screens	4 x 8kg	Grey (RAL 9006)
Tool rail mounted monitor arm (single)	6kg	
Inverted single arm - convert single to dual	12.5kg	
Universal laptop riser mount	10kg	



Certified to: BS EN ISO 9241 Workplace Ergonomics  
PP 045 Safety and Durability



Available  
in black,  
white or  
grey

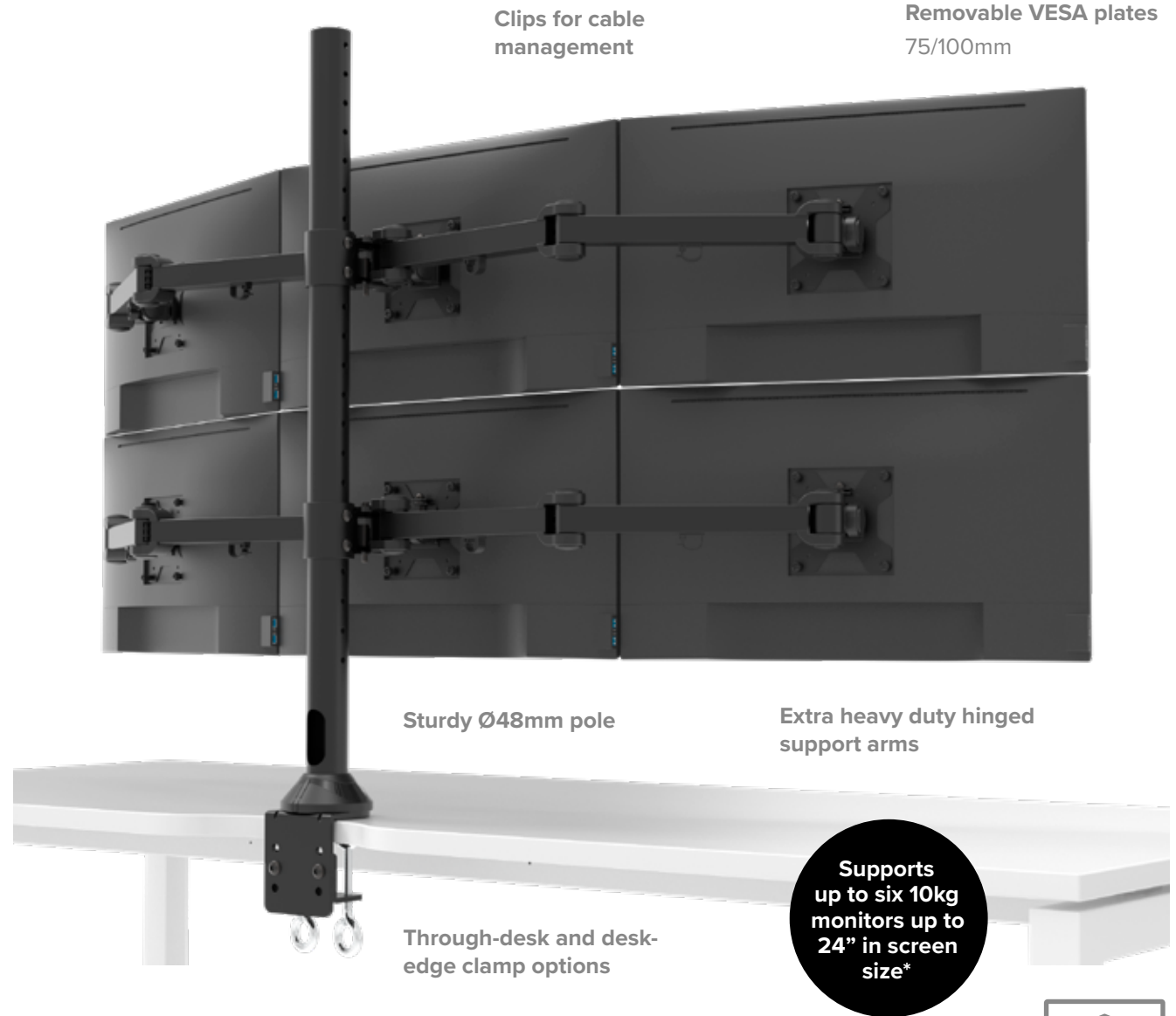
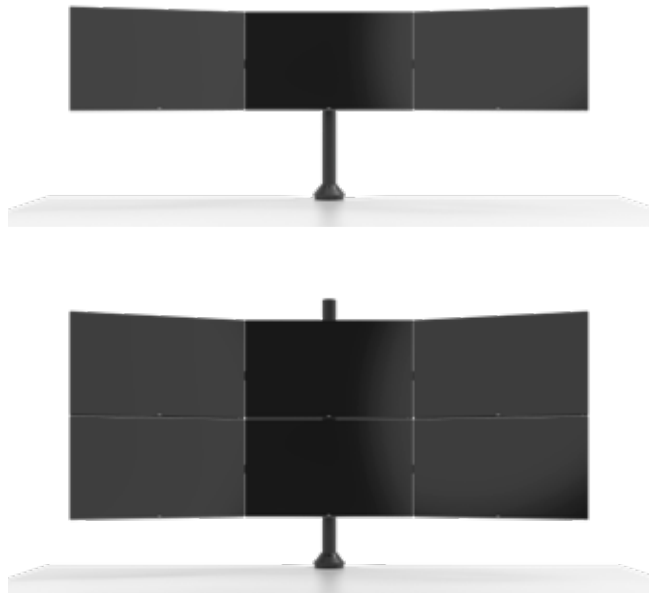


# Duro

Heavy duty monitor arms

Create the ultimate multi-tasking display with Duro heavy duty 3 and 6 screen monitor arms.

Duro is perfect for a range of different uses from a busy stock exchange to surveillance or even gaming and multimedia entertainment rigs.



Clips for cable management

Removable VESA plates  
75/100mm

Sturdy Ø48mm pole

Extra heavy duty hinged support arms

Through-desk and desk-edge clamp options

Supports up to six 10kg monitors up to 24" in screen size\*

DURO MONITOR ARMS	MAX. CAPACITY
Triple screen heavy duty pole-mounted monitor arm	3 x 10kg
Six screen heavy duty pole-mounted monitor arm	6 x 10kg



Certified to: BS EN ISO 9241 Workplace Ergonomics  
PP 045 Safety and Durability





# Boost

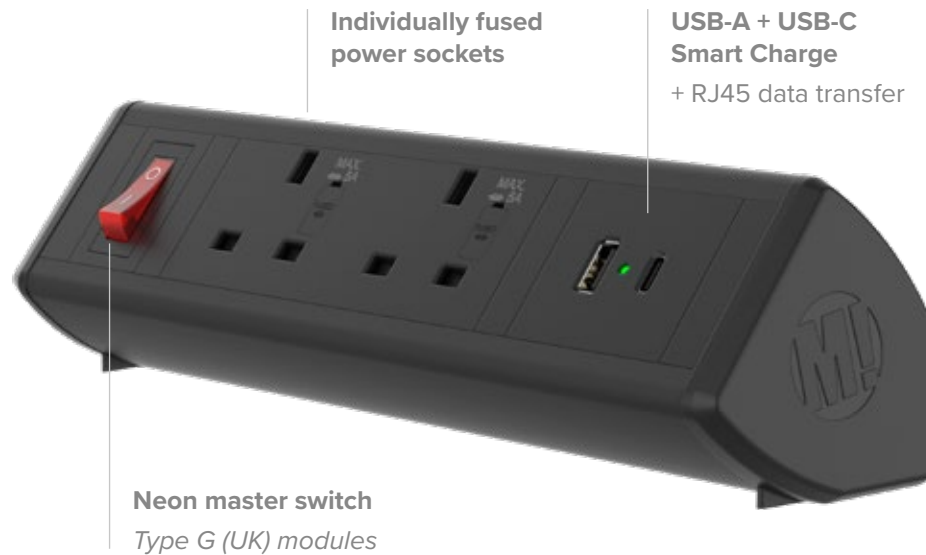
Desktop power + charge

Beautiful, stylish and incredibly compact, Boost desktop modules provide power exactly where you need it while using minimal space on your desk.

Boost is designed to appear subtle and unobtrusive at the rear of the desktop, available in white or black.



Watch the video  
metalicon.com/boost



Easy to install.  
No tools required!

Easy-install low profile desk clamps included  
Easily secure the Boost module to the desktop with no tools required

Type G (UK or Type E (French) sockets

High quality construction with aluminium casing

SOCKETS (UK)	USB-A	USB-C	RJ45 DATA
1 x Type G + master switch	1	1	
2 x Type G + master switch			
2 x Type G + master switch	1	1	
2 x Type G + master switch			2
2 x Type G + master switch	1	1	2
4 x Type G + master switch	1	1	

SOCKETS (FRENCH)	USB-A	USB-C	RJ45 DATA
2 x Type E	1	1	
2 x Type E	1	1	2

FINISH
Black
White

GST 3-POLE POWER CABLE
1-10m

Fully tested and certified to BS 5733 & BS 1363-2, CE marked  
Meets BS 6396 requirements





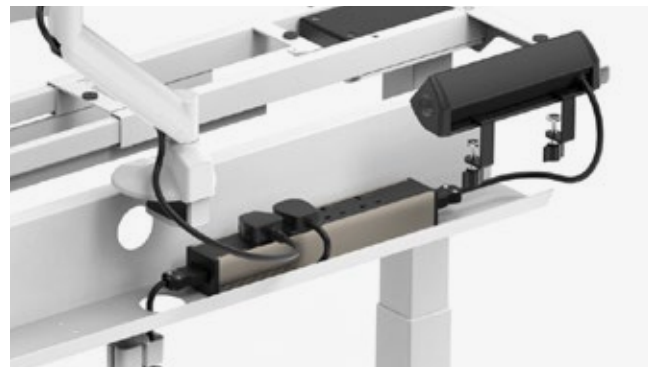
# Powerlink

Under-desk power

**These simple but robust power modules can be installed in cable trays or fixed to the underside of the desktop using the brackets or hook and loop pads provided.**

With high quality aluminium alloy casing, solid construction and sleek appearance, Powerlink offers incredible value for money.

Powerlink modules can be linked to other under-desk or desktop power modules, including Boost and Solo Plus, using connector cables with a maximum of six power sockets in one series. Powerlink comes with a champagne alloy case and black plastic insert.



Ideal for cable trays

**SOCKETS (UK)**

- 2 x Type G
- 3 x Type G
- 4 x Type G
- 6 x Type G

**SOCKETS (FRENCH)**

- 2 x Type E
- 3 x Type E
- 4 x Type E
- 6 x Type E

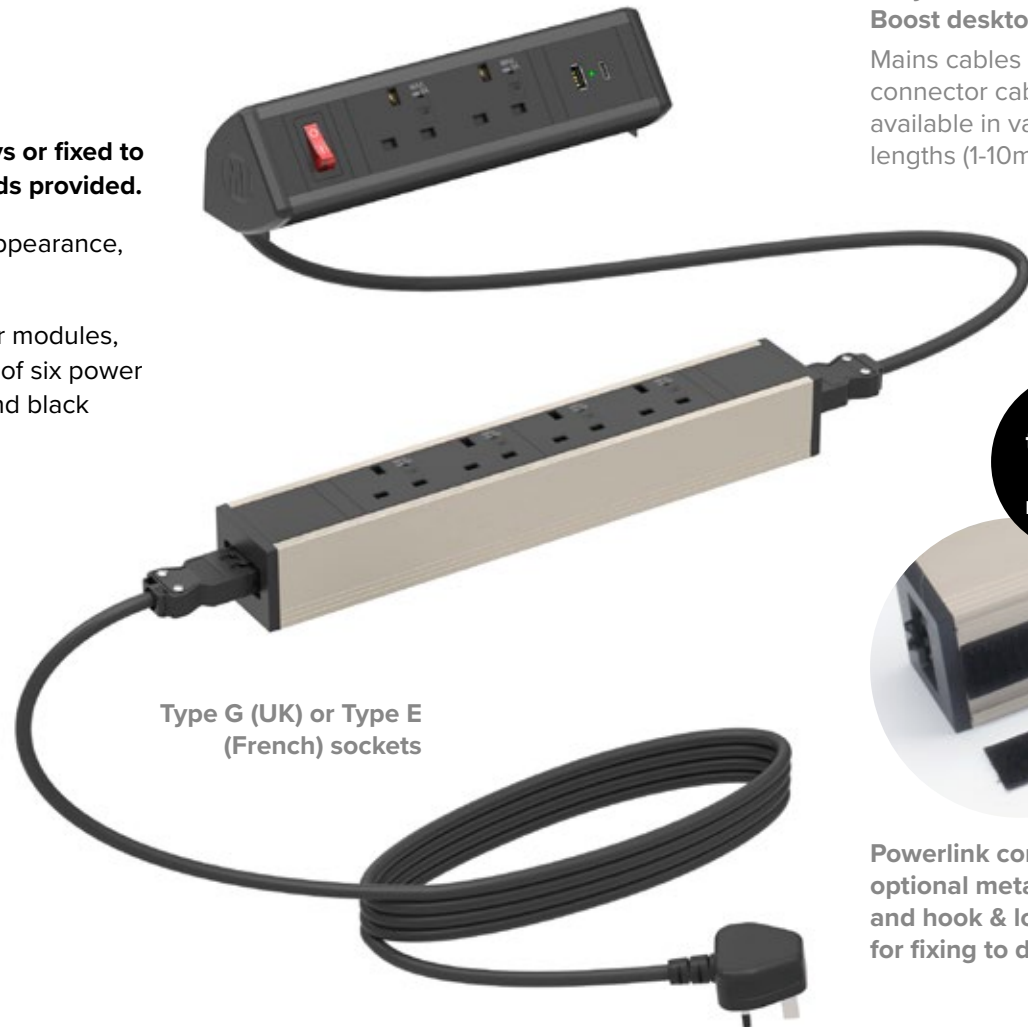
**FINISH**

Alloy case with black insert

**GST 3-POLE POWER CABLE**

1-10m

Fully tested and certified to BS 5733 & BS 1363-2, CE marked  
Meets BS 6396 requirements



Type G (UK) or Type E (French) sockets

**Easy to connect with Boost desktop modules**

Mains cables and connector cables available in various lengths (1-10m)

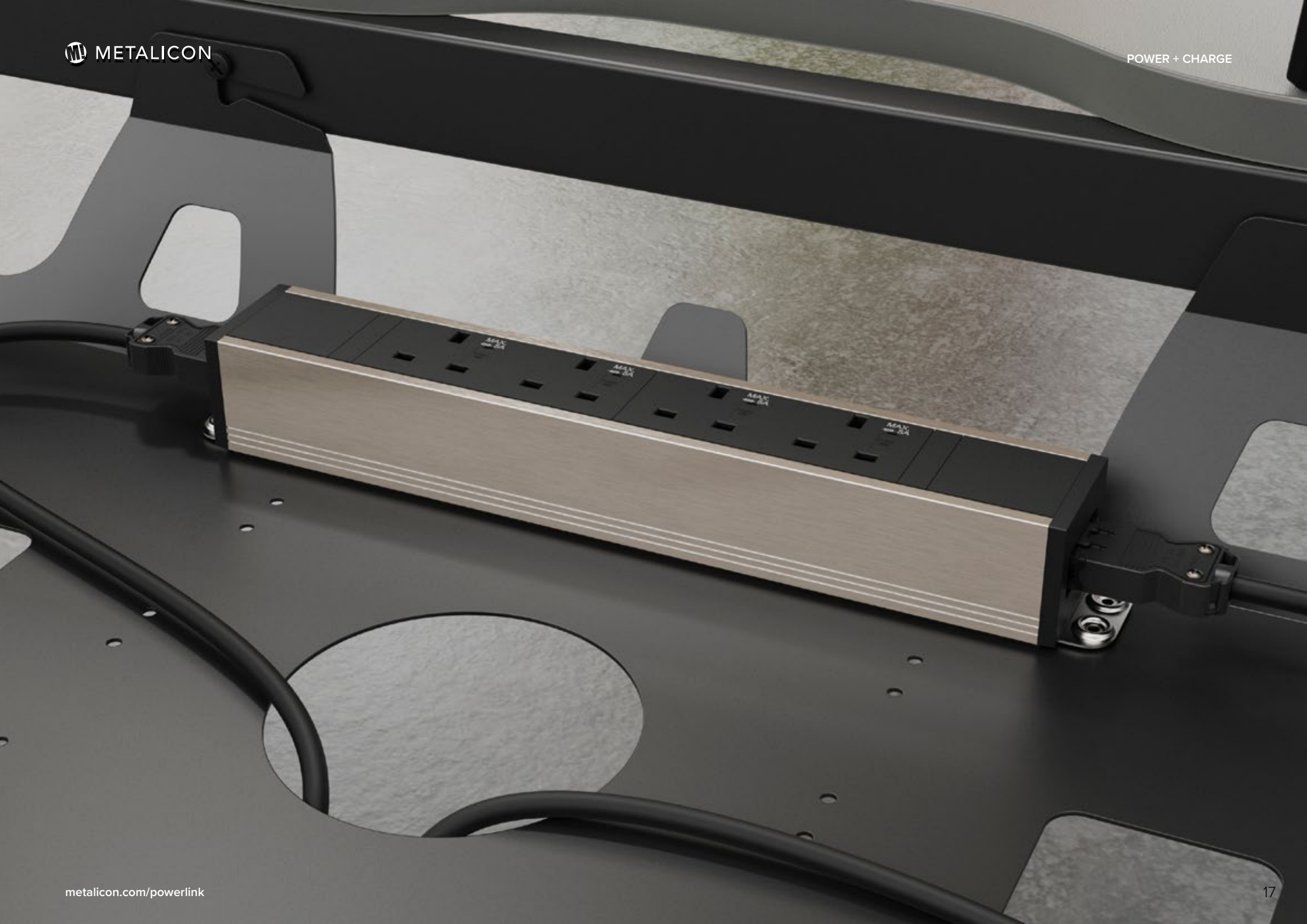
**Easy to install. No tools required!**



Powerlink comes with optional metal brackets and hook & loop fixings for fixing to desktop







# Solo Plus

Customisable power + charge

**Solo Plus offers compact simplicity with a single UK power socket and 18W USB-A smart charge socket plus the addition of 2 x 45W USB-C smart charge sockets - all in one Ø80mm module!**

Choose from HDMI or Cat6 RJ45 data transfer inserts for both sides of the module or alternatively leave them blank, or empty for use as cable pass-throughs.



Fully tested and certified to BS 5733 & BS 1363-2, CE & UKCA marked  
Meets BS 6396 requirements

18W USB-A +  
45W USB-C Power  
Delivery charge

Optional data transfer  
port inserts  
*HDMI or RJ45, blank  
or empty for cable  
pass-through*

**Easy  
to install.  
No tools  
required!**

Alternative tabs secure  
Solo Plus in place where  
space for collar is limited

Secure in place with  
clamp / screw-on collar

Type G (UK) or Type E  
(French) sockets



SOCKETS (UK)	USB-A	USB-C	RJ45 DATA	HDMI
1 x Type G	1	1	2	
1 x Type G	1	1		2
1 x Type G	1	1	1	1
1 x Type G	1	1	1	
1 x Type G	1	1		1

SOCKETS (FRENCH)	USB-A	USB-C	RJ45 DATA	HDMI
1 x Type E	1	1	2	
1 x Type E	1	1		2
1 x Type E	1	1	1	1
1 x Type E	1	1	1	
1 x Type E	1	1		1

FINISH
Black
White
<b>GST 3-POLE POWER CABLE</b>
1-10m





**Watch the video**  
[metalicon.com/solo-plus](https://metalicon.com/solo-plus)

# Click

Hidden in-surface power + data

Ideal for meeting tables, the Click module takes the convenience of the Boost desktop module and hides it in the surface. Simply press the lid to open and reveal power sockets, charging ports and data transfer below.

Click includes USB-A + USB-C smart charge plus HDMI and RJ45 data transfer. The split sprung lid allows cables to pass through whilst keeping all the mess covered.



Watch the video  
metalicon.com/click

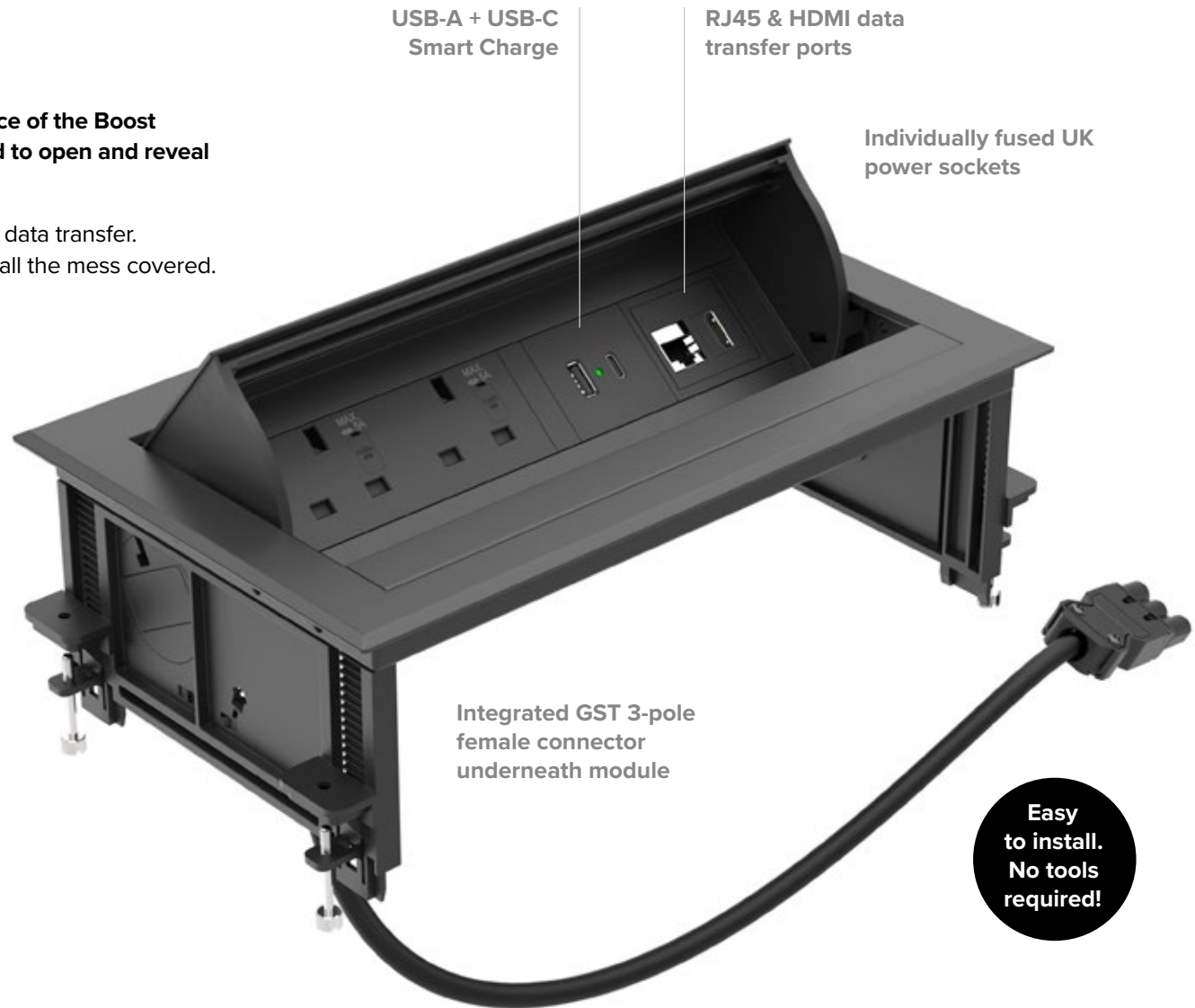


Fully tested and certified to BS 5733 & BS 1363-2, CE & UKCA marked  
Meets BS 6396 requirements

SOCKETS (UK)	USB-A	USB-C	RJ45 DATA	HDMI
2 x Type G	1	1	1	1

FINISH
Black
White

GST 3-POLE POWER CABLE
1-10m



Easy to install.  
No tools required!





# Linx

Magnetic cable management spine

**Designed with strength, flexibility and ease of installation in mind, Linx offers the latest developments in superior cable management.**

The patented ‘twist not pull’ linking system ensures the vertebrae will never pull apart under tension, but will detach easily when twisted sideways. This means Linx never comes apart whilst in use, but remains incredibly easy to extend and manipulate when needed.

The new Linx Limpet makes installation quick and easy, fixing the spine to cable trays or desk frame with a magnet. The spine can be easily relocated if required.



**Watch the video**  
[metalicon.com/linx](https://metalicon.com/linx)

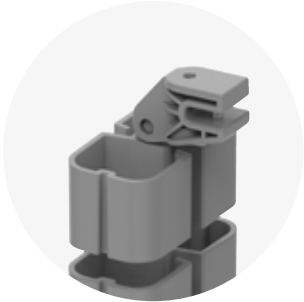


**Configure  
 for any  
 desk**

SPINE	LENGTH	FINISH
20 vertebrae + weighted base	800	Black
33 vertebrae + weighted base	1300	White
33 vertebrae, no base (for tray to tray use)	1280	Grey



Easy to install.  
No tools required!

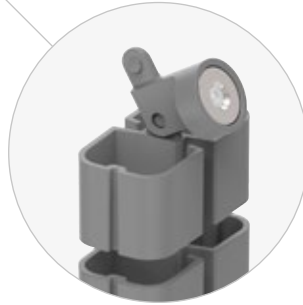


**Alternative multipurpose fixing clamp**

Mount to cable tray, wire basket or desktop

**Large stable base**

Weighted base with dual cable exits



**Limpet magnetic fixing**

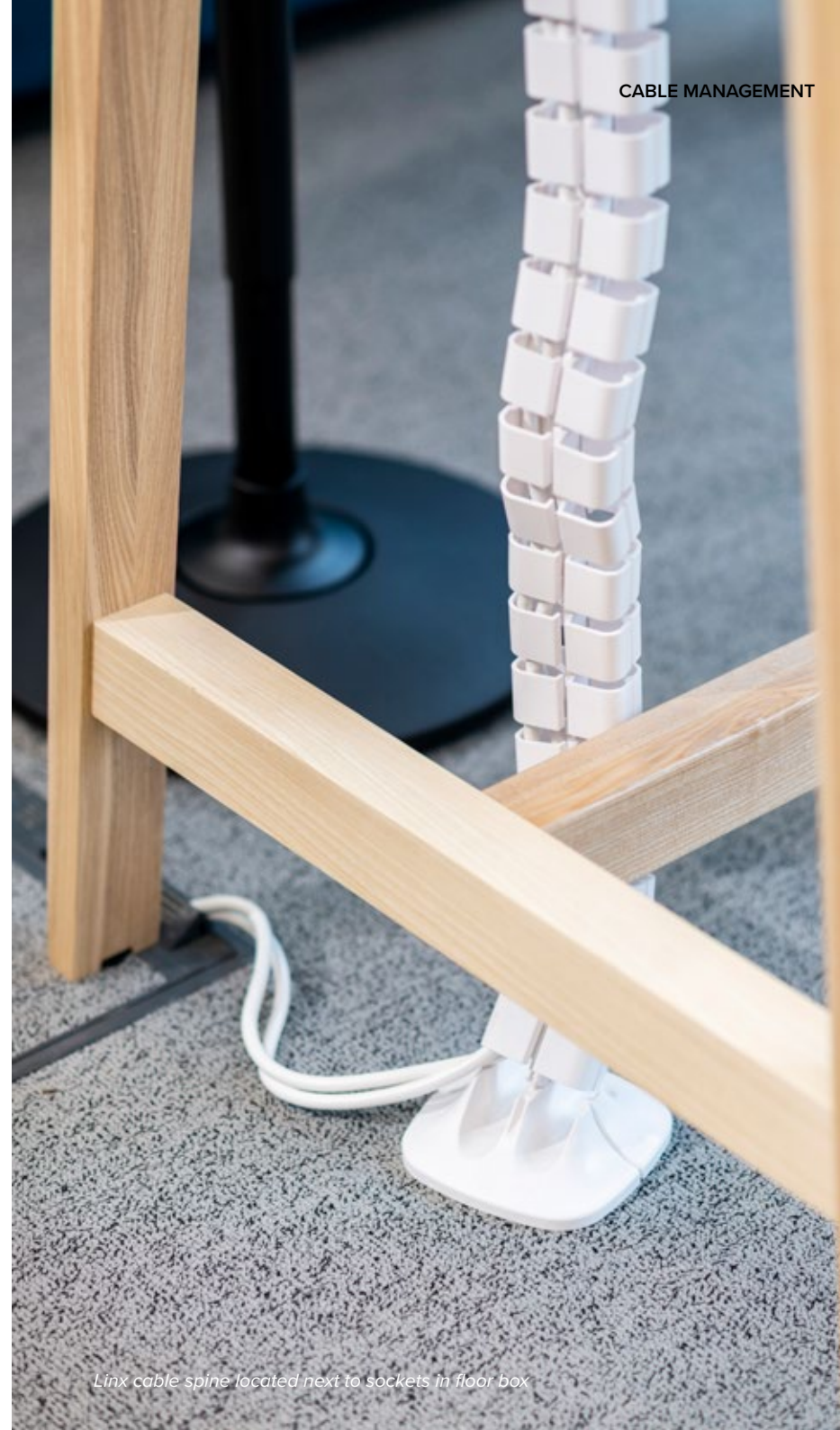
Mount Linx anywhere on cable tray or desk frame

**Unique linking system**

Click-together vertebrae make Linx incredibly easy to shorten or lengthen and insert power and data cables

**Dual cable compartments**

Segregated power and data cables (30mm x 25mm)



*Linx cable spine located next to sockets in floor box*

# Cable Trays

and baskets

Untidy power and data cables are unsightly, make cleaning difficult and can pose a safety risk. Use of a cable tray or basket underneath the desk helps to keep cables neat and tidy and the workspace clear.

Our range of simple but strong steel cable trays and baskets is designed to suit various desk sizes and arrangements.

## Shared / bench desking trays

Fix to underside of desktops



Secure power / data cables with holes for cable ties

Cables enter from either end or in the centre

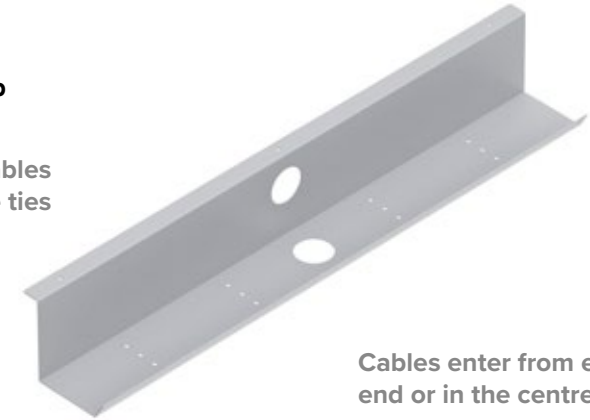
WIDTH	DEPTH	HEIGHT	DESK WIDTH
1000	110	130	1400 / 1600
1400	110	130	1600 / 1800 / 2000
1000	430	130	1400 / 1600
1400	430	130	1600 / 1800 / 2000

TRAY FINISH
Black (RAL 9017)
White (RAL 9016)
Grey (RAL 9006)

## Desktop fix trays

Fix to underside of desktop

Secure power / data cables with holes for cable ties



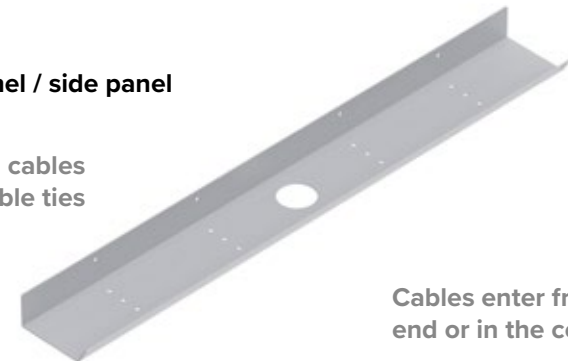
Cables enter from either end or in the centre

WIDTH	DEPTH	HEIGHT	DESK WIDTH	TRAY FINISH
600	100	125	1000 / 1200	Black (RAL 9017)
1000	100	125	1400 / 1600	White (RAL 9016)
1400	100	125	1600 / 1800 / 2000	Grey

## Panel fix trays

Fix to desk modesty panel / side panel

Secure power / data cables with holes for cable ties



Cables enter from either end or in the centre

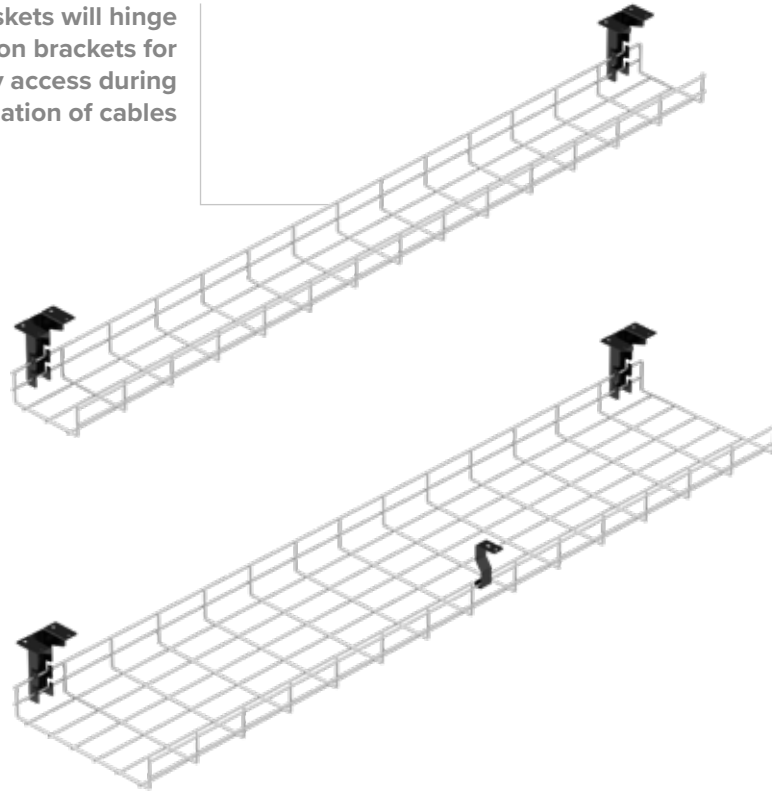
WIDTH	DEPTH	HEIGHT	DESK WIDTH	TRAY FINISH
600	100	50	1000 / 1200	Black (RAL 9017)
1000	100	50	1400 / 1600	White (RAL 9016)
1400	100	50	1600 / 1800 / 2000	Grey (RAL 9006)



Cable baskets

Fix to underside of desktop

Baskets will hinge down on brackets for easy access during installation of cables



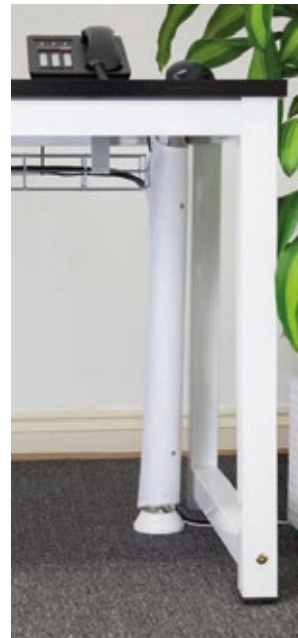
WIDTH	DEPTH	HEIGHT	DESK WIDTH	BASKET FINISH
600	150	50	800 / 1000	Galvanised
1000	150	50	1200 / 1400	
1400	150	50	1600 / 1800	
600	300	50	800 / 1000	
1000	300	50	1200 / 1400	
1400	300	50	1600 / 1800	

# Fabric Cable Sock

Zip up cable tidy

Designed for use with a standard height desk the vertical sock is a versatile cable management solution.

Quick and easy to use our durable zip-up sock provides ample cable capacity. Internal hook and loop straps keep power and data cables segregated, meeting criteria for the BS 6396 standard.



Adjustable hook and loop strap provides fine height adjustment

Internal straps keep cables segregated

Ultra lightweight

Flexible zip design allows cables to enter at any height

WIDTH	HEIGHT
Ø70	720 - 820

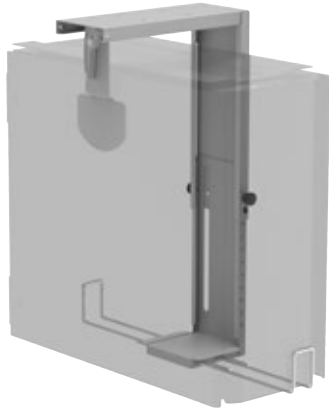


SOCK FINISH
Black
White

# T1

## Mid tower CPU holder

Designed for mid tower CPUs, adjustable for other sizes, mount to desktop or side panel



Spring-loaded pin to adjust height easily

Security bars prevent CPU falling from holder

# T2

## Mini tower / SFF CPU holder

Designed for mini tower or SFF CPUs, adjustable for other sizes, mount to desktop or side panel

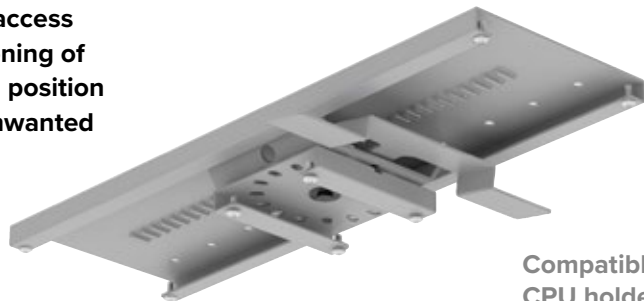


Spring-loaded pin to adjust height easily

Security bars prevent CPU falling from holder

## Slide & turn kit

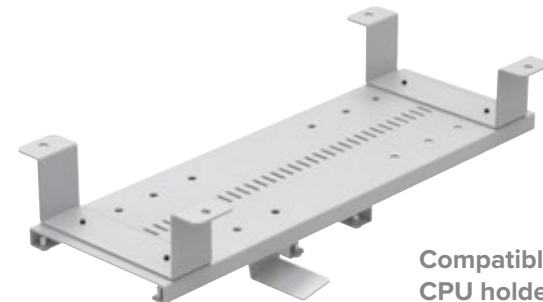
Allows easy access and repositioning of CPU, locks in position to prevent unwanted movement



Compatible with T1 & T2 CPU holders

## Desk beam clearance kit

Enables fixing to desktop around horizontal beams



Compatible with T1 & T2 CPU holders

CPU	FIXING / MOUNT	WIDTH CAPACITY	DEPTH CAPACITY	HEIGHT CAPACITY	FINISH
T1	Desktop / side panel	35 - 252	140 - 490	333 - 564	Black / White / Grey
T2	Desktop / side panel	35 - 110	140 - 300	213 - 360	Black / White / Grey



Certified to severe structural standards Test Method PP 050: 2009 - Severe Use

# S1

Mini CPU / thin client holder

Designed for mini CPUs or thin clients, ideal for Apple Mac Mini®



Compatible with Metalicon® Kardo and Levo monitor arms

Adjustable security strap with side release buckle



Mount on Kardo monitor arm



Mount on Levo monitor arm

CPU	WIDTH CAPACITY	DEPTH CAPACITY	HEIGHT CAPACITY	FINISH
S1	Max. strap circ. 700	25 - 63	N/A	Black / White / Grey

# Laptop Stand

+ Monitor arm mount

Designed to raise any laptop off the work surface. Alternatively mount to Metalicon® monitor arms with VESA fixings.

Soft touch pads protect laptop case

Vents prevent laptop from overheating

Secure laptop in place with gentle clamps



75/100mm VESA compatible



Surface



Compatible with Levo



Compatible with Kardo

**FINISH**

Black (RAL 9017)

White (RAL 9016)

Grey (RAL 9006)







## Ocean Friendly Packaging®

Looking after our planet for future generations

**Waste plastic is creating a global pollution problem, especially in our oceans. Nobody knows exactly how much, but recent estimates from respected scientific journals indicate some 8 million tonnes of plastic enter our oceans every year!**

Since 2018 we have been focused on eliminating plastic from our product packaging. The majority of our product packaging is already made using recycled paper-based materials which can also be recycled again. Our aim is to have all Metalicon® branded packaging completely plastic free by the end of 2025.

Look out for our Ocean Friendly Packaging® logo on Metalicon® products. This indicates the packaging for this product is already completely plastic free! Thank you for supporting us in tackling this important issue.



### **#loveyourdesk**

We believe that work can be enjoyable, even if you're sat at a desk for most of the day.

There are many reasons why working at a desk is not enjoyable for millions of people. Our research tells us these include: a lack of clear workspace, screens in an awkward position, limited access to power and data connections and untidy cables.

Metalicon® are committed to removing these obstacles, enabling people to be more productive.

We're changing the workplace, one desk at a time.

**metalicon.com**

**ARROW  
GROUP**

Work happy.®  
Work well.

Certified for ISO 9001 Quality Management Systems  
and ISO 14001 Environmental Management