



SEATING
MYKE

Myke Stacking Chairs

Stacking chairs for versatile, agile learning spaces

Myke is a stackable seating solution that allows spaces to be configured in numerous ways, quickly and easily. The optional folding tablet arm eliminates the need for tables, facilitating rapid transformation between group and individual activities. When the tablet is not required, it folds neatly out of the way. Always mounted on the right armrest, Myke's generous tablet arm provides a robust workspace suitable for right- and left-handed users. The optional linking device can be utilised for a fixed arrangement of neat rows. All versions of the chair can be stacked to 10 high on the floor, or 15 high on its transport dolly. It can then be stacked neatly out of the way, with a minimal footprint.

MYKE



Watch video on YouTube:
<https://youtu.be/GjW64PGmhg4>





PRODUCT FEATURES

All models stack to 10 high on floor,
15 on transport dolly



Strong, lightweight polypropylene &
fibreglass blend available in 6 colours

Optional folding right-handed
tablet arm with integrated armrest



Integrated shock absorber for
added support & flexibility

Available without armrests



Waterfall seat edge

Textured, anti-slip surface
for added comfort

Rubber glides suitable
for all floor types

PRODUCT SPECIFICATIONS

Polypropylene colours



Arctic White

Light Tone

Warm Grey

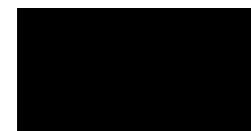
Grass Green

Powder Blue



Ultra Blue

Tablet colours

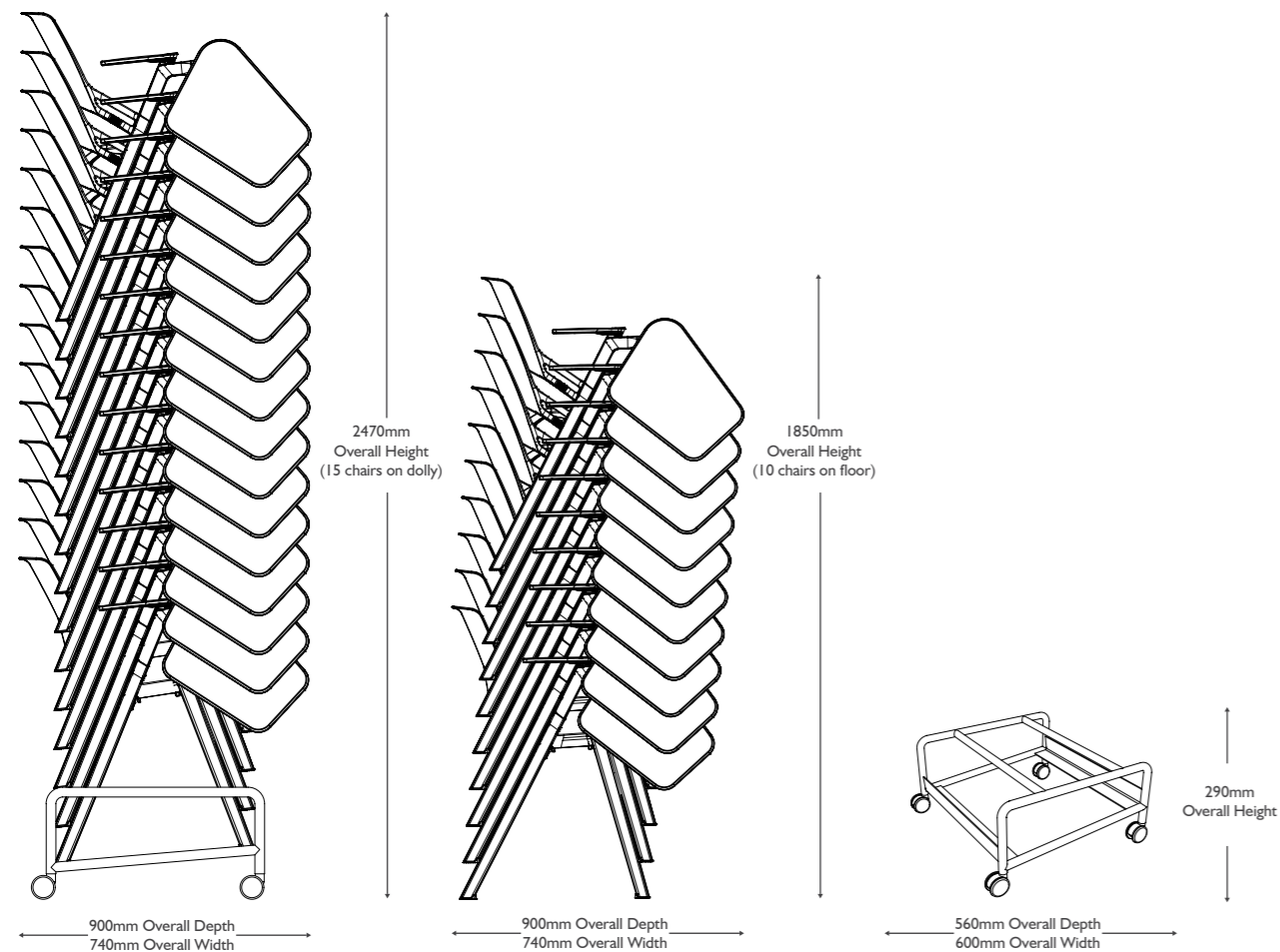


Black

Tablet arms are made with 100% polypropylene.

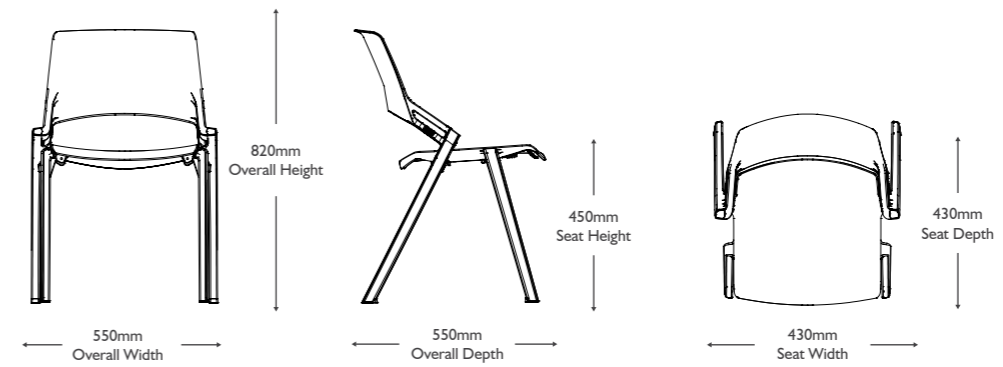
PRODUCT DIMENSIONS

Stacked dimensions (with armrests & tablet arms) & dolly



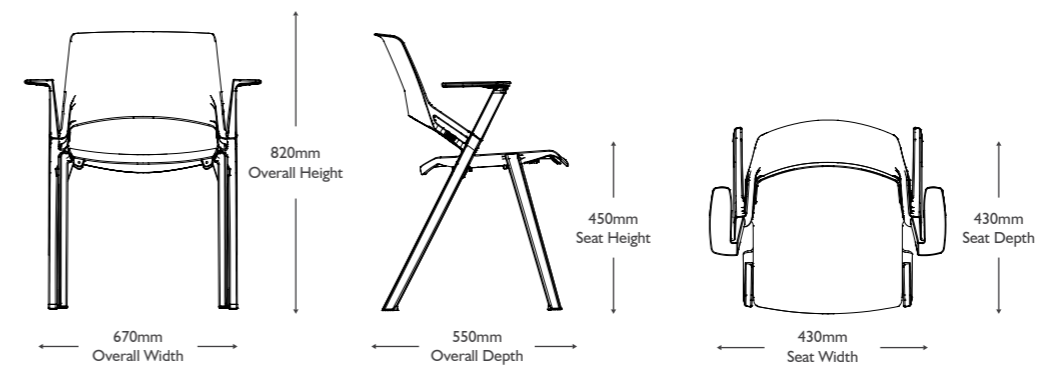
PRODUCT DIMENSIONS

Stacking Chairs without armrests



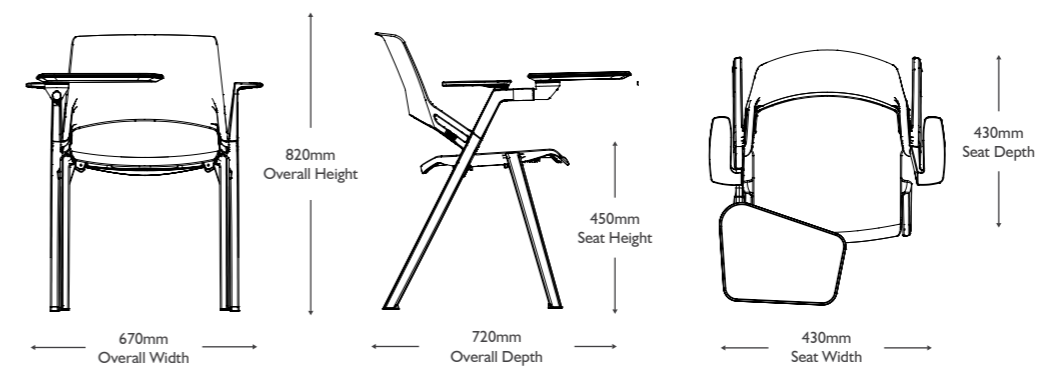
Weight
4.7kg

Stacking Chairs with armrests



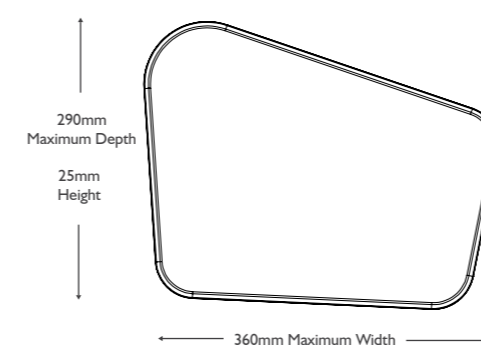
Weight
5.5kg

Stacking Chairs with armrests & tablet arm (right-handed only)



Weight
7.4kg

Tablet arm dimensions

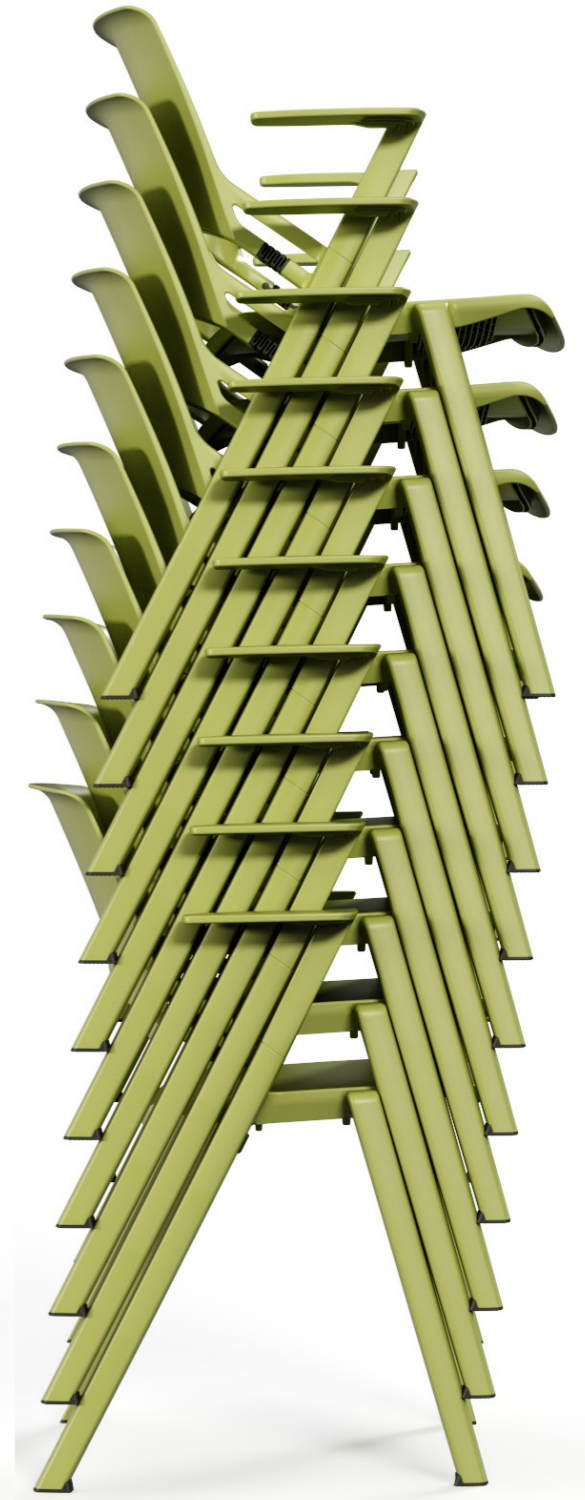
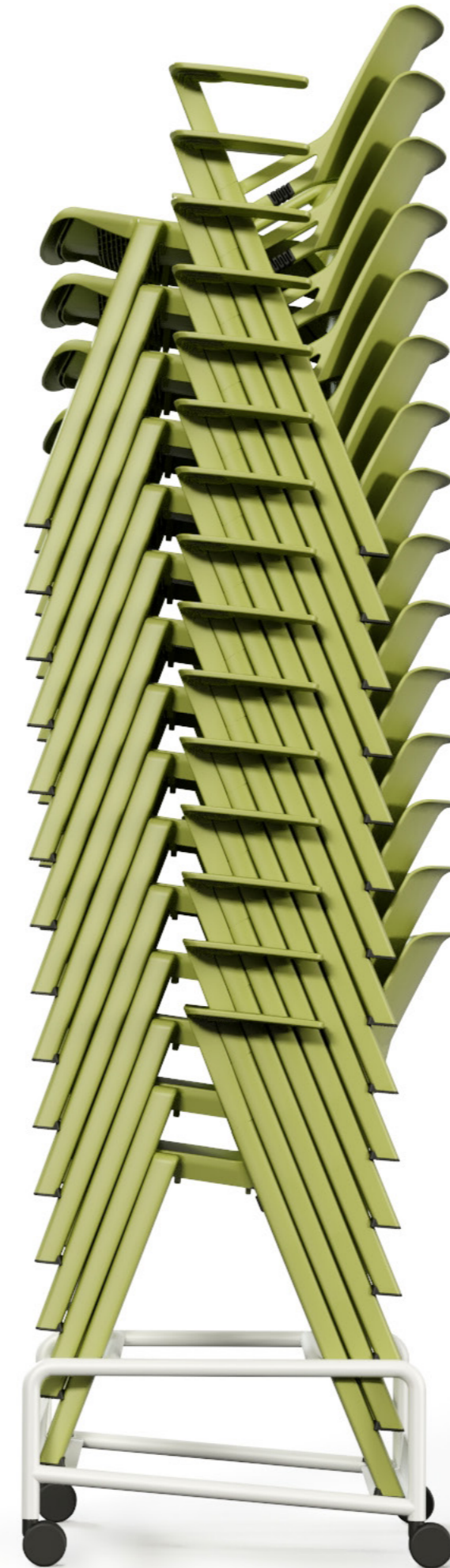


NB: All dimensions given are approximate

ORDER CHECKLIST

Myke Stacking Chairs

1.	Select poly colour		
		Arctic White	
		Light Tone	
		Warm Grey	
		Grass Green	
		Ultra Blue	
2.	Select arms		
		No arms	
		Armrests	
		Armrests + RH tablet arm	
3.	Transport dolly		
		White powdercoated steel (up to 15 chairs per dolly)	



OTHER INFORMATION

Care & Maintenance Instructions

Proper care and careful use are the best methods of maintaining the appearance and finish of any product.

Polypropylene

For normal cleaning of poly shells, use a soft cloth with mild soap or detergent and lukewarm water. Do not use solvents, citrus/orange-based cleaners, or heavy-duty kitchen cleaners. Remove chewing gum and similar stubborn spots with cigarette lighter fluid. Wipe dry immediately. A general, non-abrasive all-purpose cleaner is ideal for light cleaning and to restore lustre to smooth surfaces. Its anti-static properties help repel dust and dirt. High-quality wax restores lustre and protects the finish.

Metal

Remove chewing gum and similar stubborn spots with cigarette lighter fluid. Wipe dry immediately. It is recommended that frames be protected from water, rain, ice, snow and salt.

If gloss finish use a silicon-based spray polish to clean. For thin surface scratches wipe with thinners (pour onto a soft cloth not directly on the surface) or spray with clear lacquer. For deep scratches sand with emery paper, clean and repaint with appropriate spray gloss/matt paint.

Note: Colour match is critical, spray onto white photocopy paper and check colour before spraying.

KI (UK) Ltd Rights & Warranties

5 year warranty.

For full details, please refer to our website:

<https://www.kieurope.com/customer-service/legal-privacy/warranties>

Environmental Information

Materials

- 65% polypropylene
- 35% glass fibre
- Tablet arms - worksurface 100% polypropylene, support arm 100% steel

Packaging & shipping

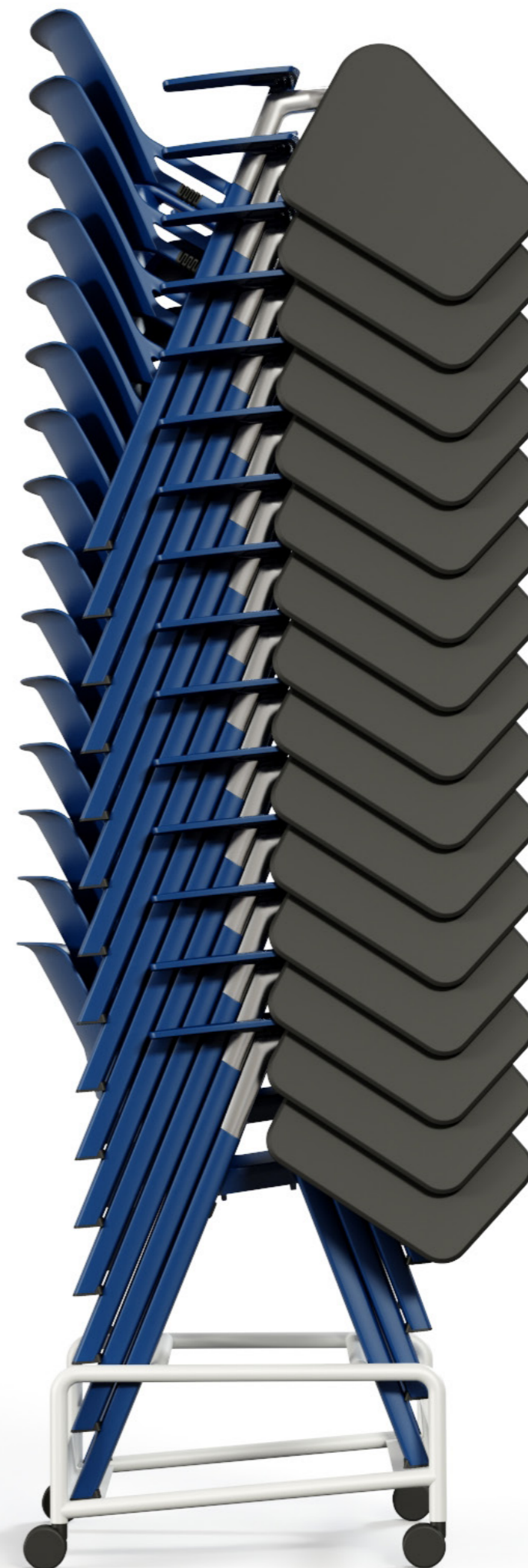
- Large orders shipped on bespoke metal skids
- Small orders shipped in 100% recyclable cardboard cartons

Certification

- **EN16139:2013, Test Level I - Furniture**
Strength, durability and safety - Requirements for non-domestic seating (for adults weighing up to 110kg)
[Download certificate](#)

Design Resources

Images libraries, certificates, CAD/Revit models and more resources are available on www.kieurope.com





SEATING MYKE

Visit our HQ & Showroom

KI (UK) Ltd
New Fetter Place
8-10 New Fetter Lane
London, EC4A 1AZ
Tel: +44 (0)20 7405 7082
info@kieurope.com
www.kieurope.com

*KI and Furnishing Knowledge are registered
trademarks of Krueger International Inc*

March 2022

