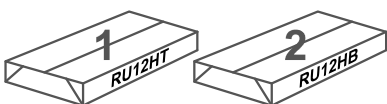
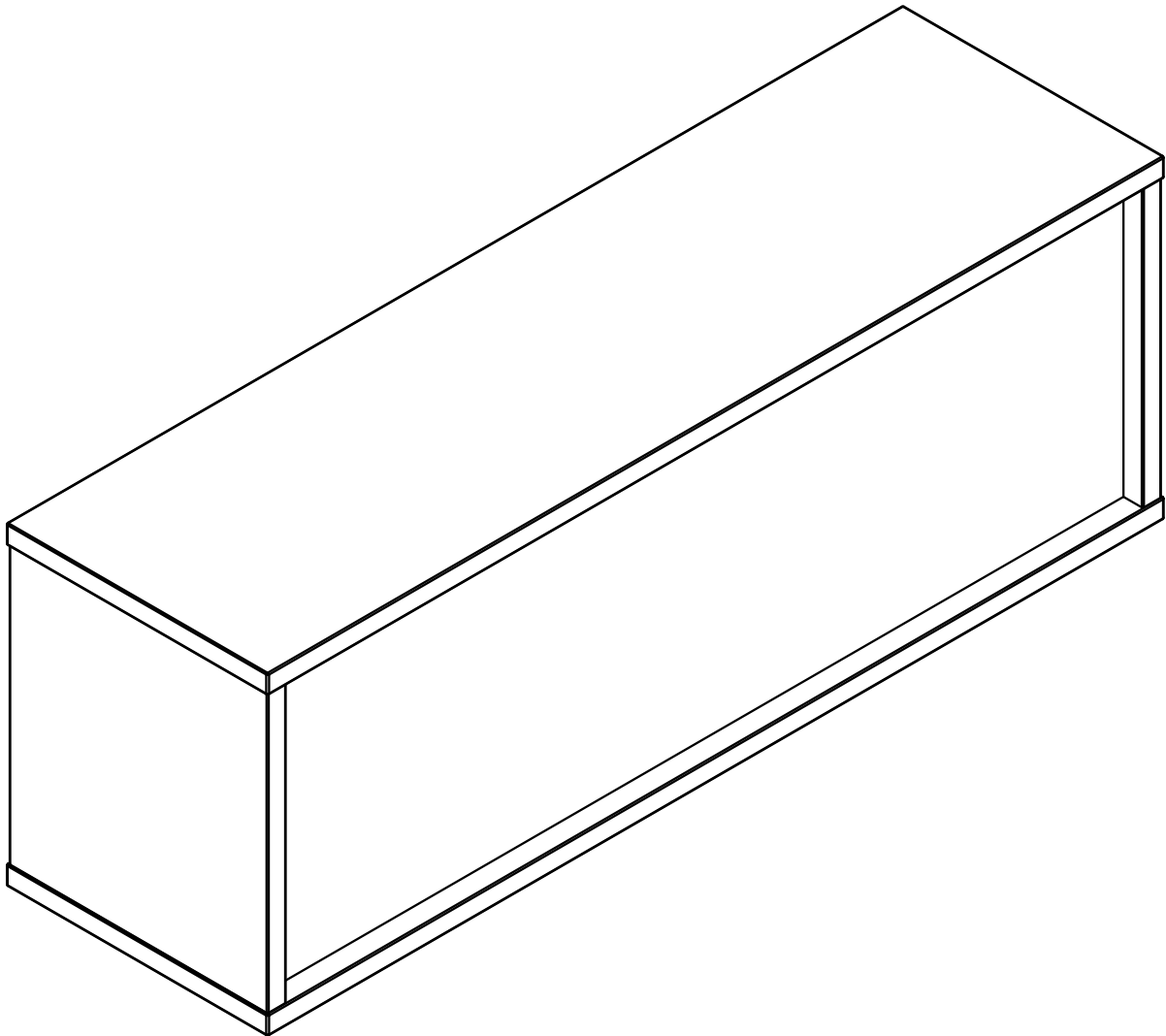
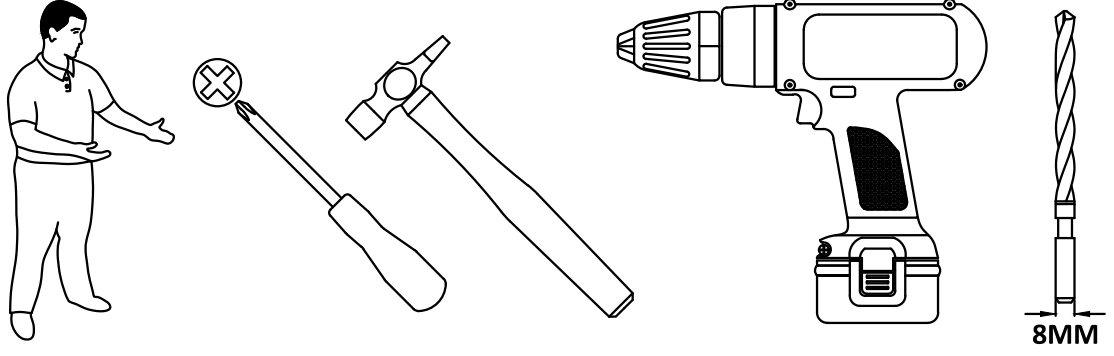


# RU12HT

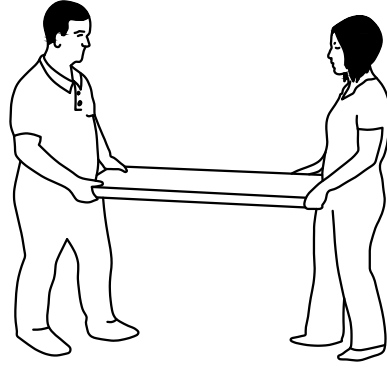
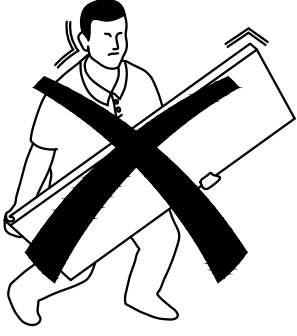
1200mm Straight Reception Hutch



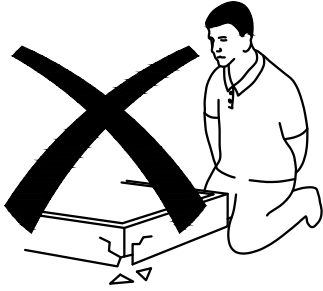
**TOOLS REQUIRED  
FOR ASSEMBLY**



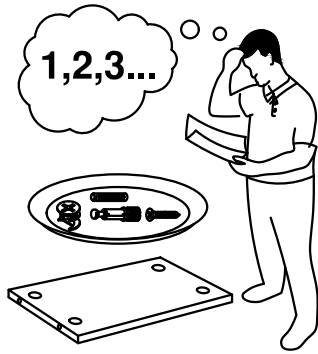
**DONT STRUGGLE  
2 MAN LIFT**



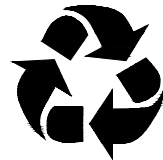
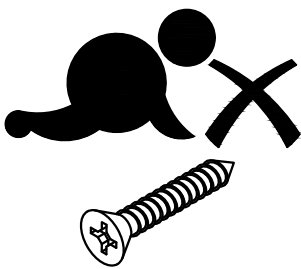
**ALWAYS HANDLE  
ITEMS WITH CARE**



**IF UNSURE CALL  
FOR ASSISTANCE**



**KEEP FITTINGS AWAY  
FROM CHILDREN**

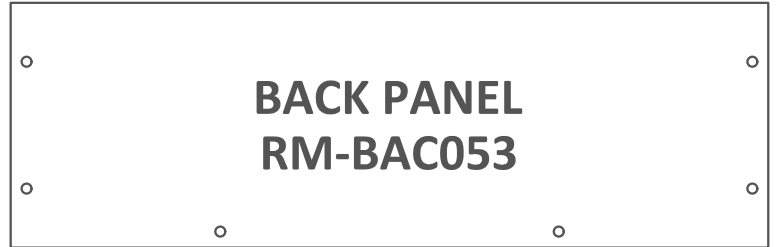
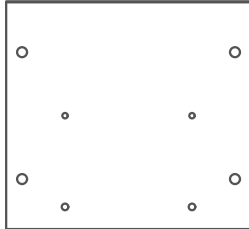




Please check that you have all the panels!




SIDE PANEL  
RM-LGP036  
QTY 2



Please check that you have all the fittings!




Minifix Cam  
RM-CAM03




**x14**

24mm Quick Fix Dowel  
RM-BLT06



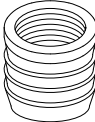
**x14**

Wood dowel 30 x 5mm  
RM-WOW01




**x8**

M6 x 11mm nylon insert  
RM-PAR05




**x4**

M6 x 35mm Connect bolt  
RM-BLT03




**x4**

M6 x 50mm Connect bolt  
RM-BLT05



**x4**

8mm Hole Plug  
RM-CAP04



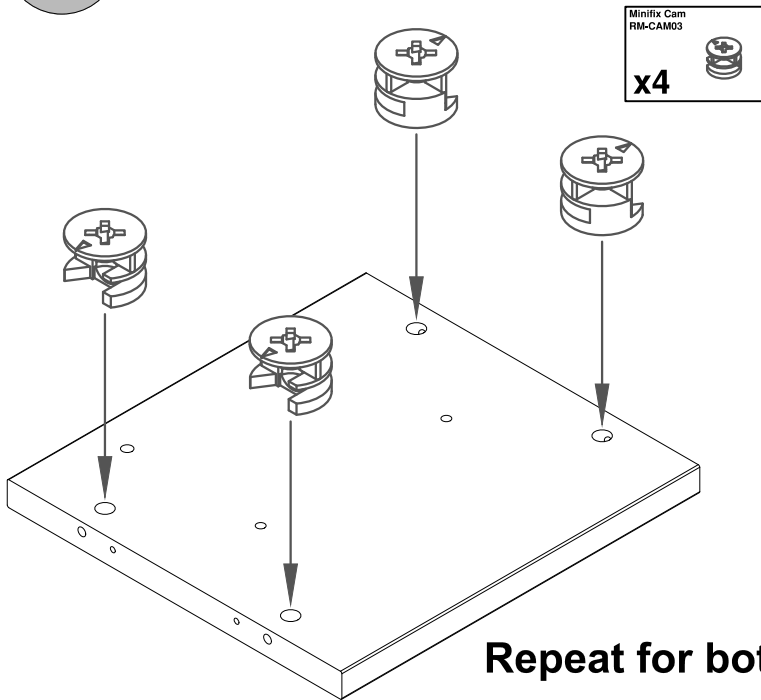
**x4**

M6 x 8 x 9 Sleeve Nut  
RM-NUT10

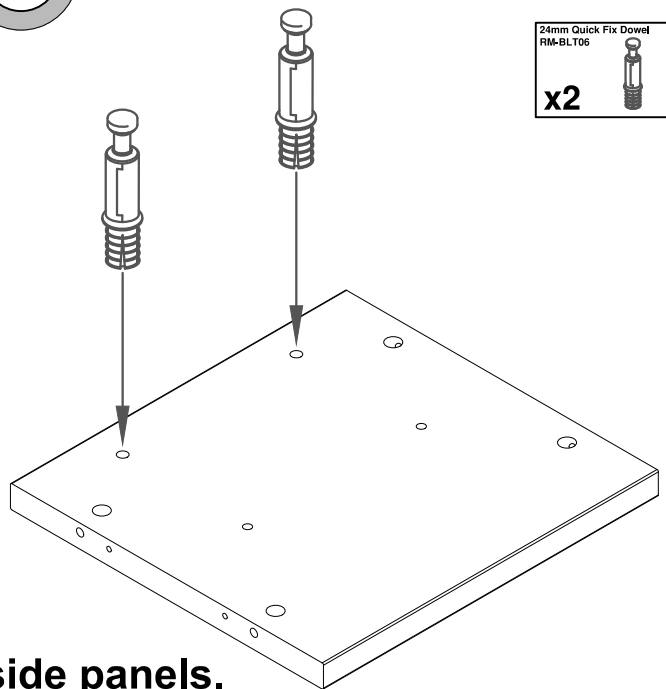


**x4**

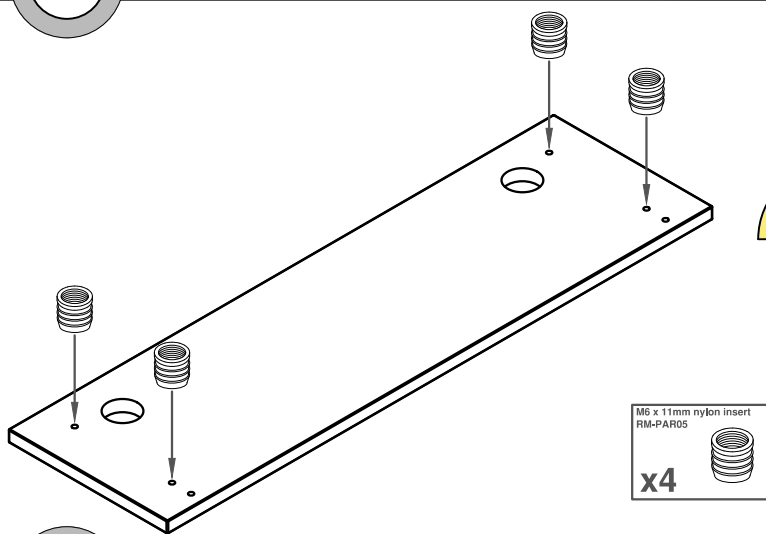
1



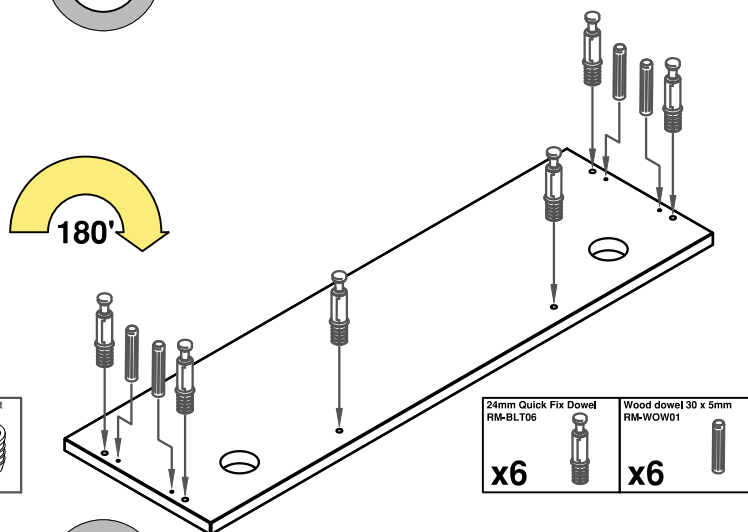
2



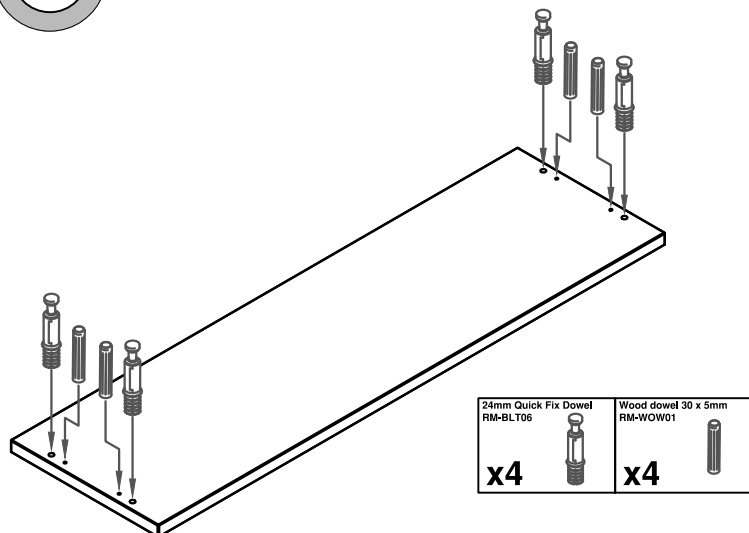
3



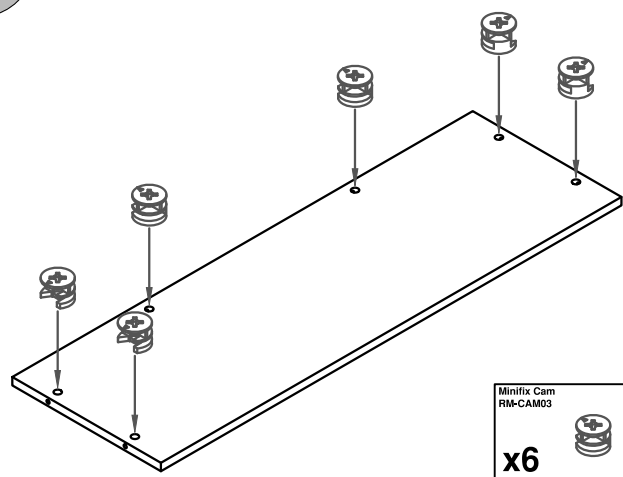
4



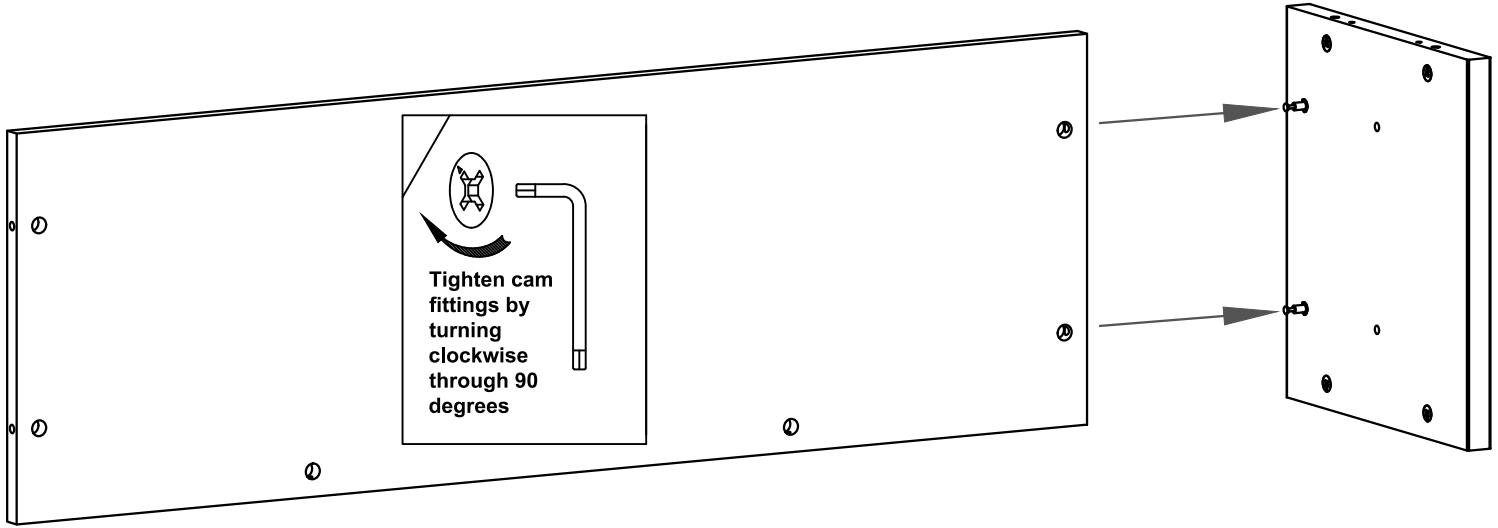
5



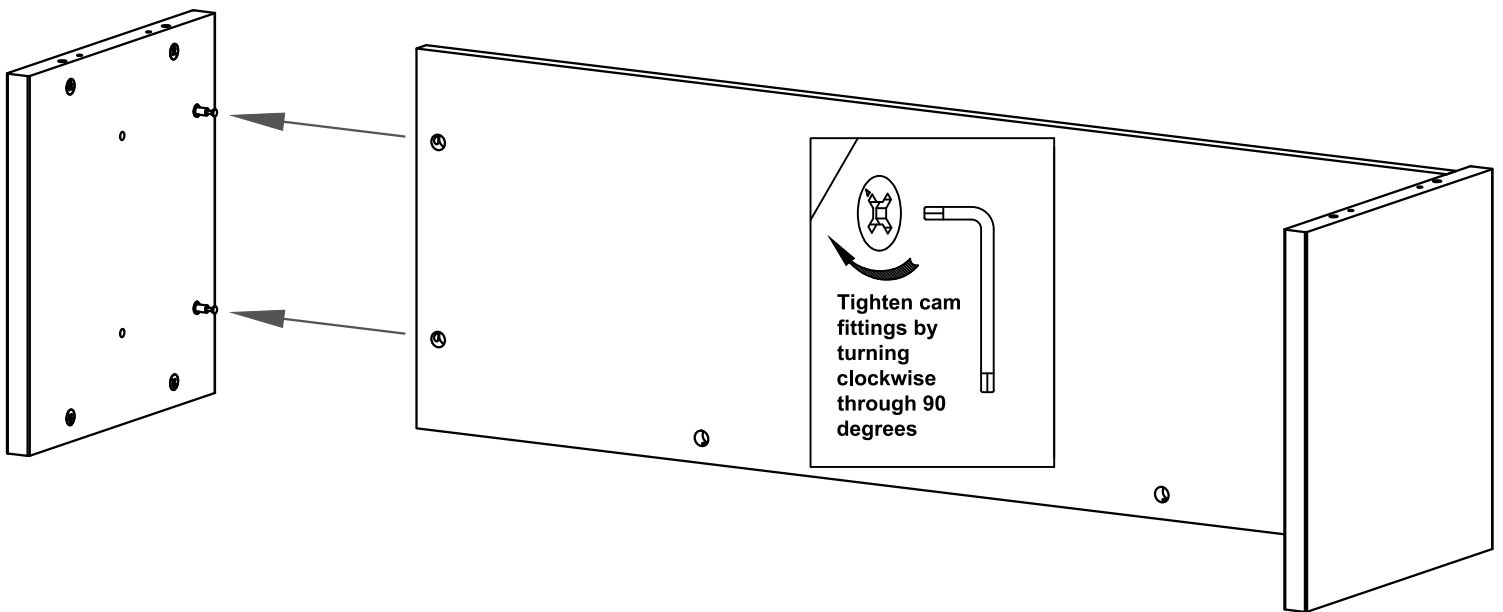
6



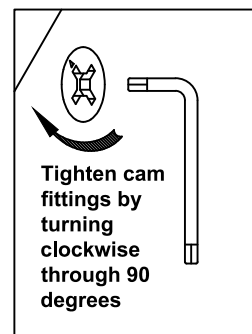
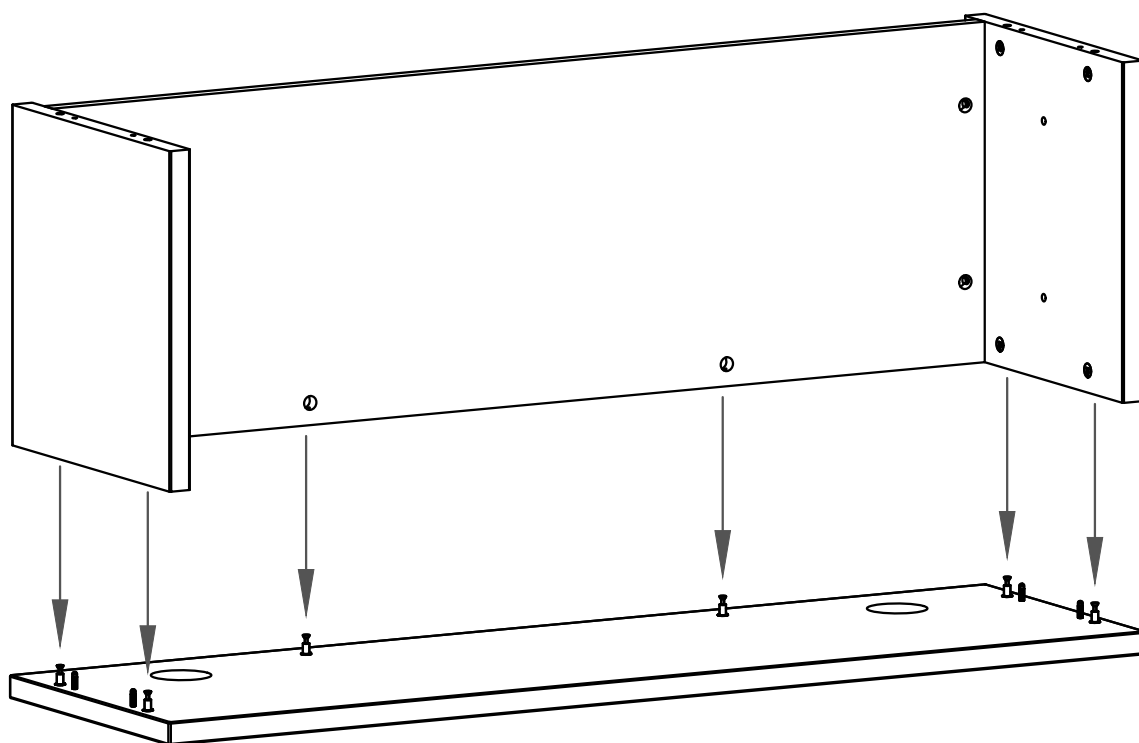
7



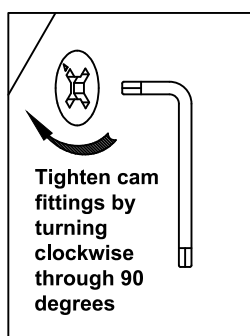
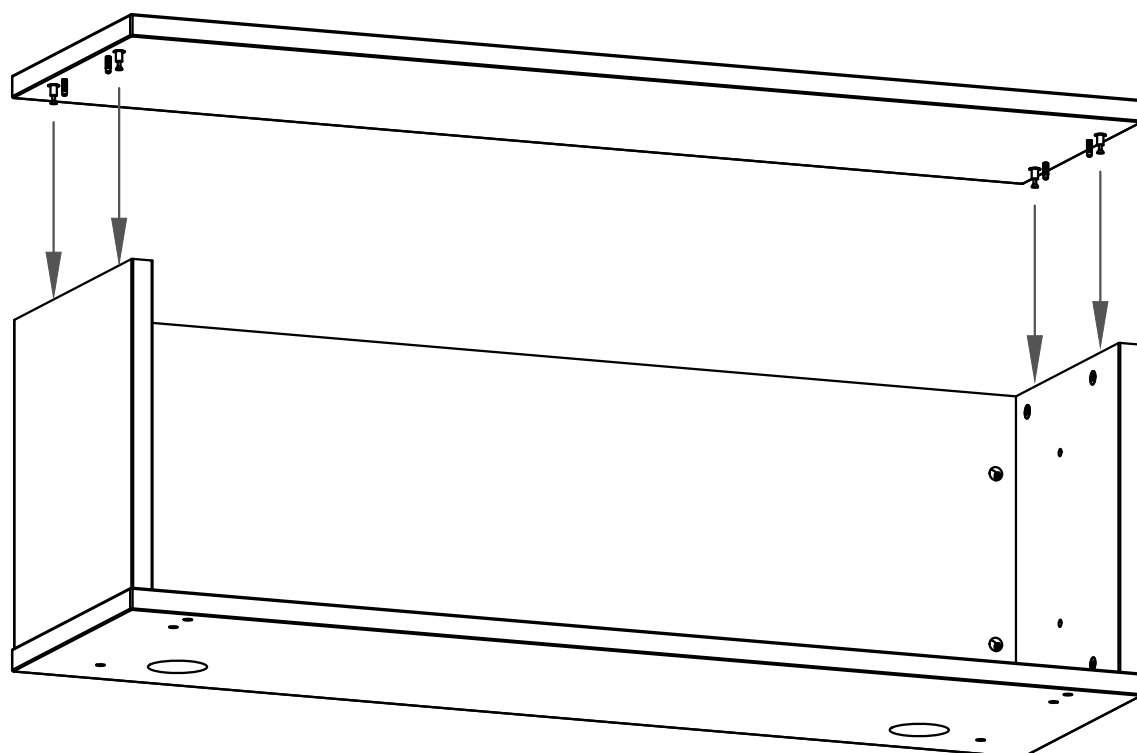
8



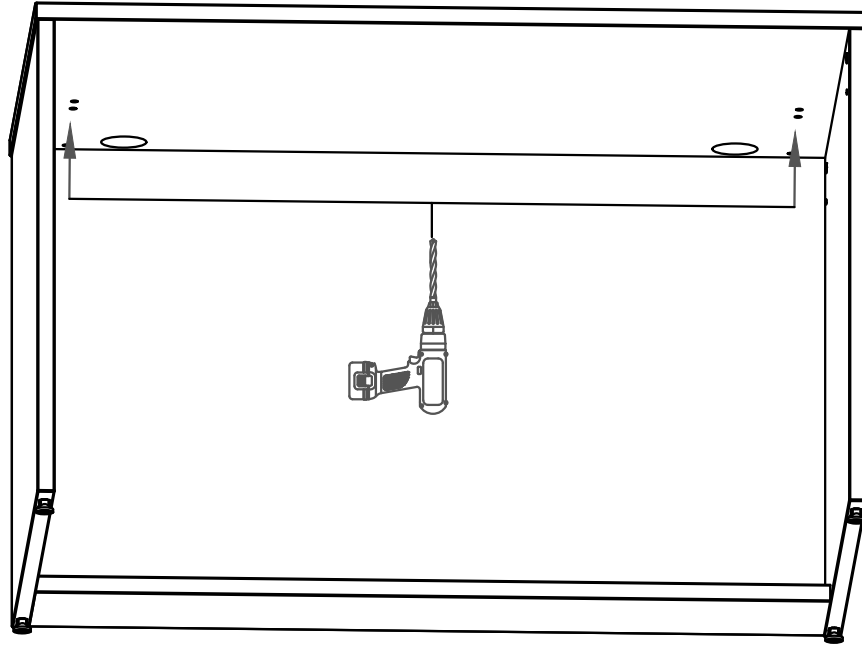
9



10



11

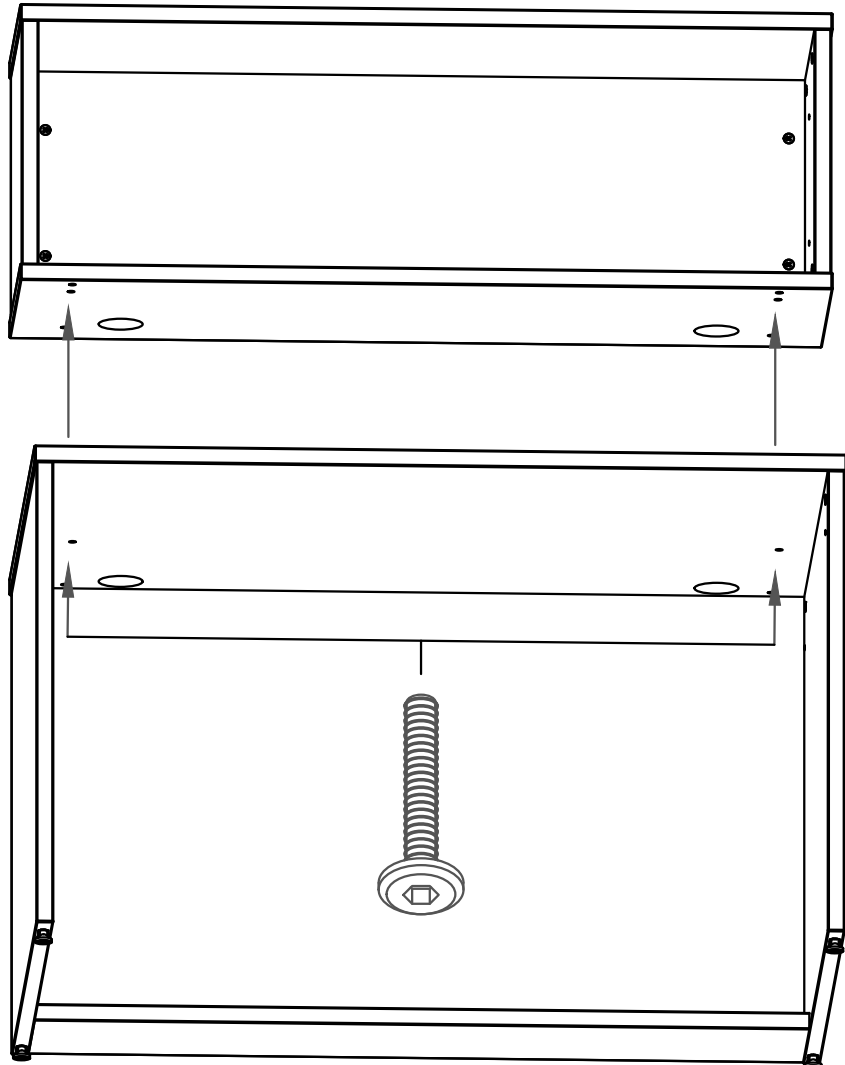


12

M6 x 35mm Connect bolt  
RM-BLT03



**x4**





## Linking units together

**CONNECTING TO A LH DESK**  
Drill the LH Leg of the main desk and hutch as well as the RH leg of the adjoining desk and hutch.

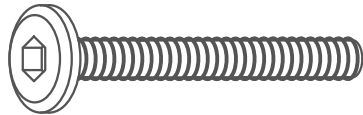
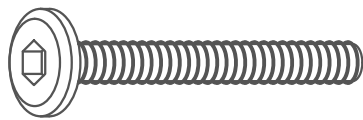


**MAIN DESK**



**CONNECTING TO A RH DESK**  
Drill the RH Leg of the main desk and hutch as well as the LH leg of the adjoining desk and hutch.

## Linking desk to desk

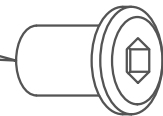
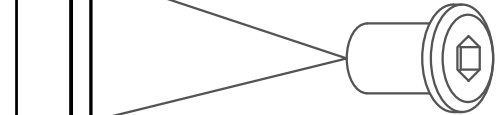


M6 x 50mm Connect bolt  
RM-BLT05

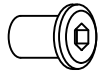


**x4**

**RH Leg**



M6 Sleeve nut  
RM-NUT10



**x4**

**LH Leg**