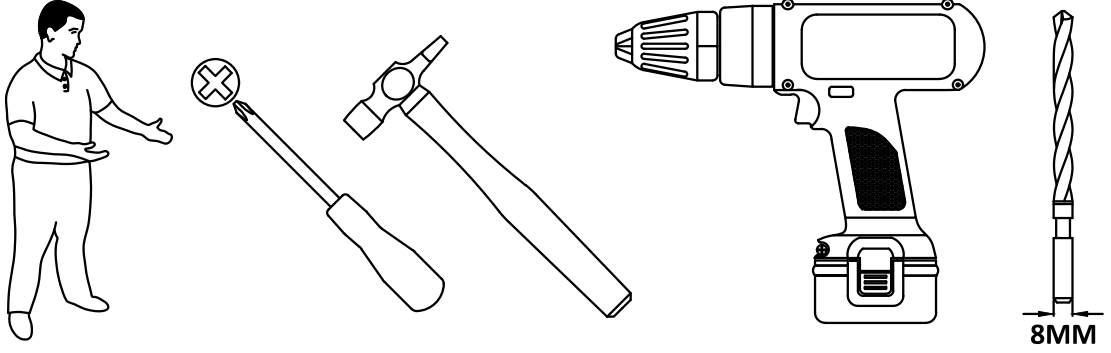
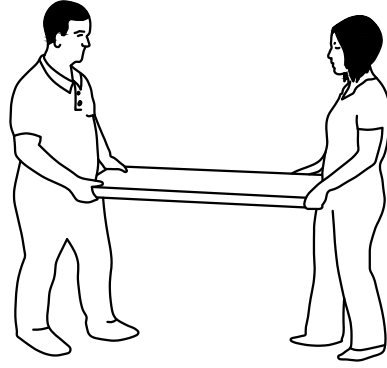
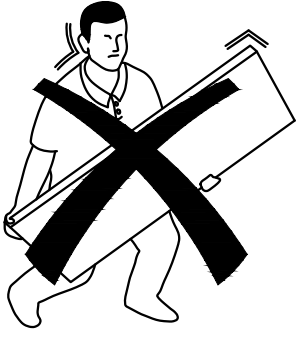


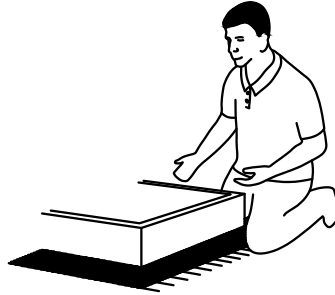
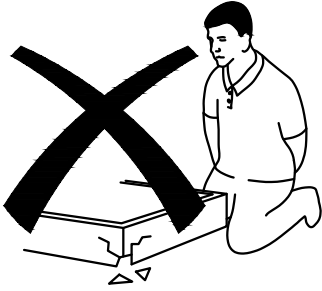
**TOOLS REQUIRED
FOR ASSEMBLY**



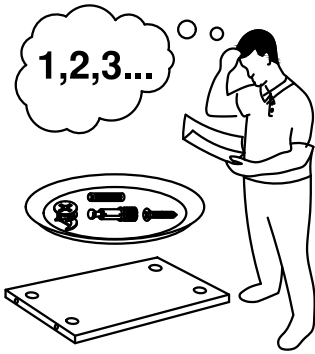
**DONT STRUGGLE
2 MAN LIFT**



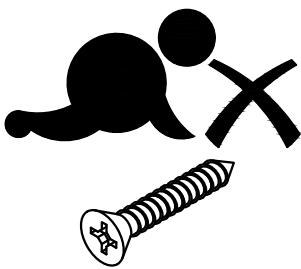
**ALWAYS HANDLE
ITEMS WITH CARE**



**IF UNSURE CALL
FOR ASSISTANCE**

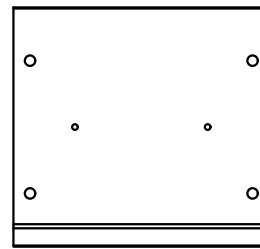
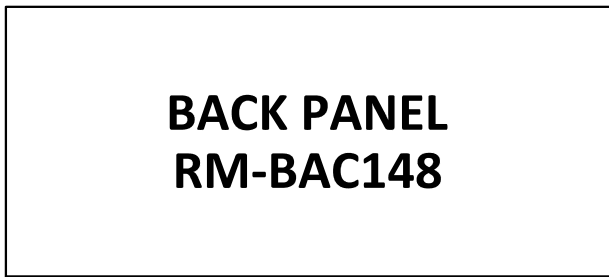
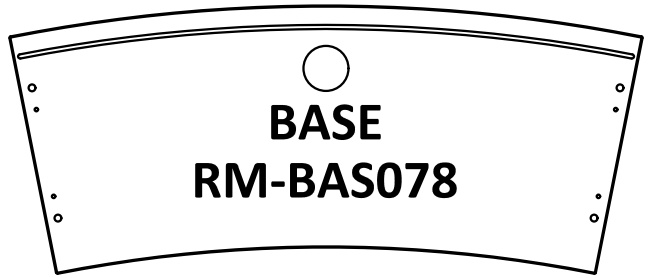


**KEEP FITTINGS AWAY
FROM CHILDREN**





Please check that you have all the panels!




LEG PANEL
RM-LGP039
QTY 2



Please check that you have all the fittings!




Minifix Cam
RM-CAM03




x8

24mm Quick Fix Dowel
RM-BLT06




x8

Wood dowel 30 x 5mm
RM-WOW01




x8

M6 x 11mm nylon insert
RM-PAR05




x4

M6 x 35mm Connect bolt
RM-BLT03



x4

M6 x 50mm Connect bolt
RM-BLT05



x4

M6 x 8 x 9 Sleeve Nut
RM-NUT10



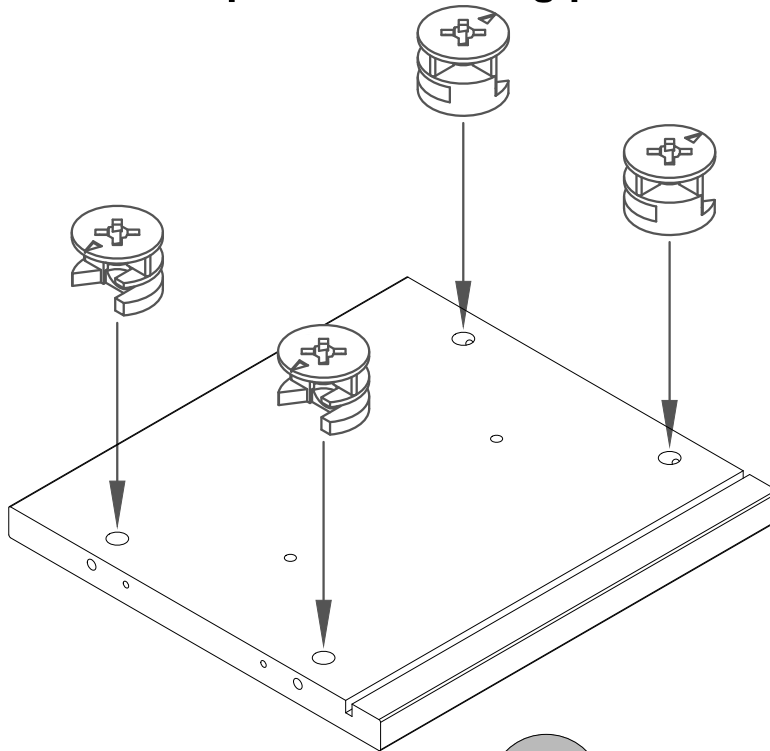
x4

1

Repeat for both leg panels.

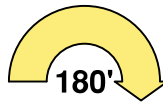
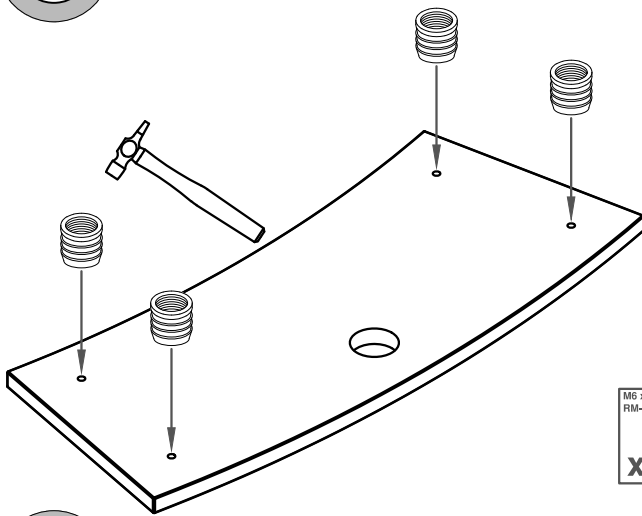
Minifix Cam
RM-CAM03

x4



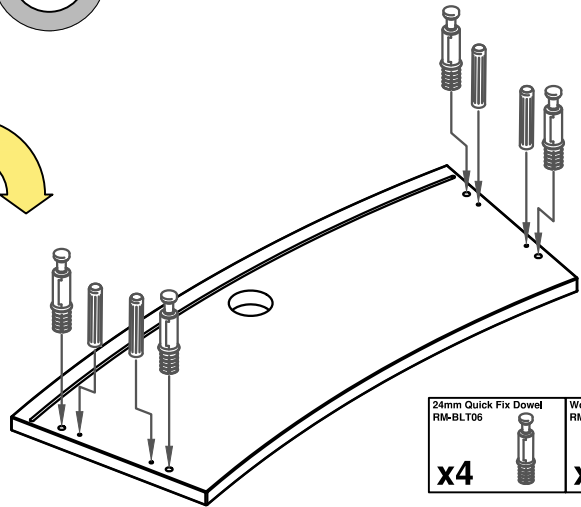
2

3



M6 x 11mm nylon insert
RM-PAR05

x4



24mm Quick Fix Dowel
RM-BLT06

x4

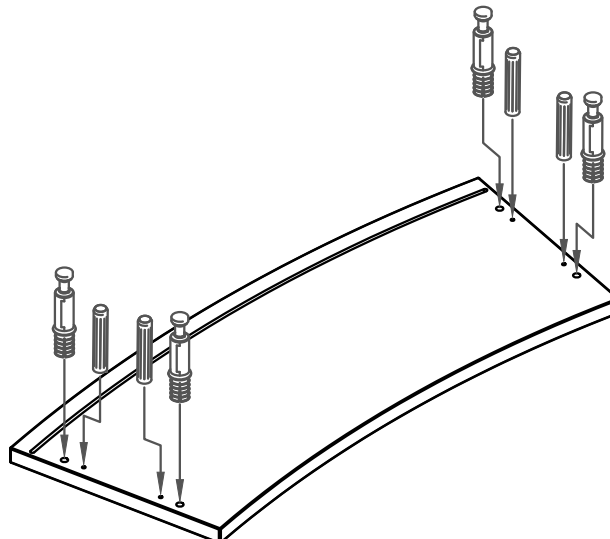


Wood dowel 30 x 5mm
RM-WOW01

x4



4



24mm Quick Fix Dowel
RM-BLT06

x4

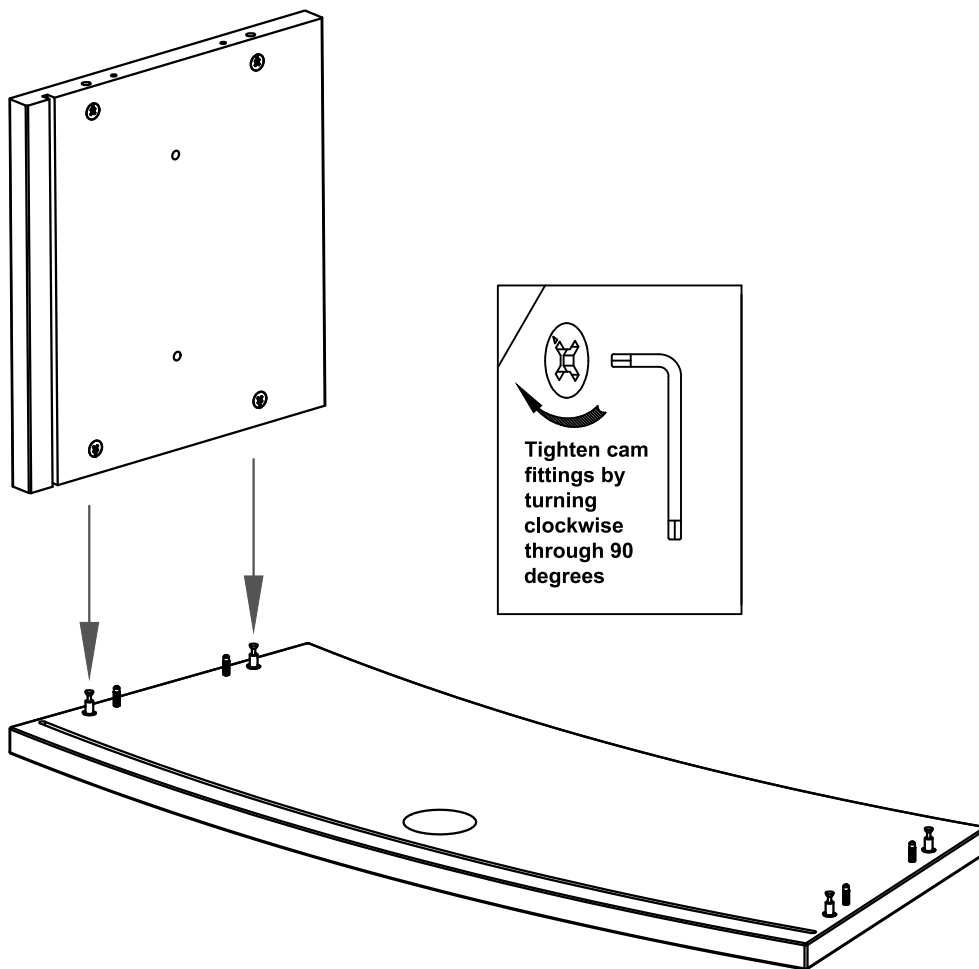


Wood dowel 30 x 5mm
RM-WOW01

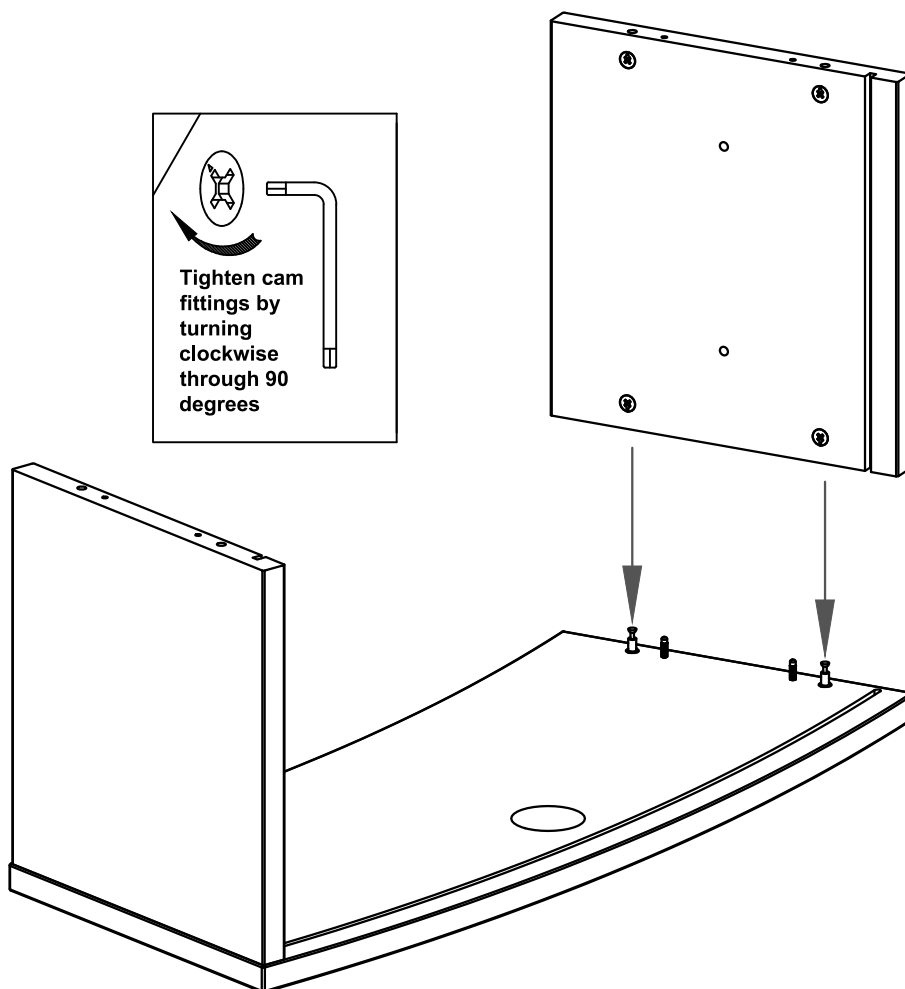
x4



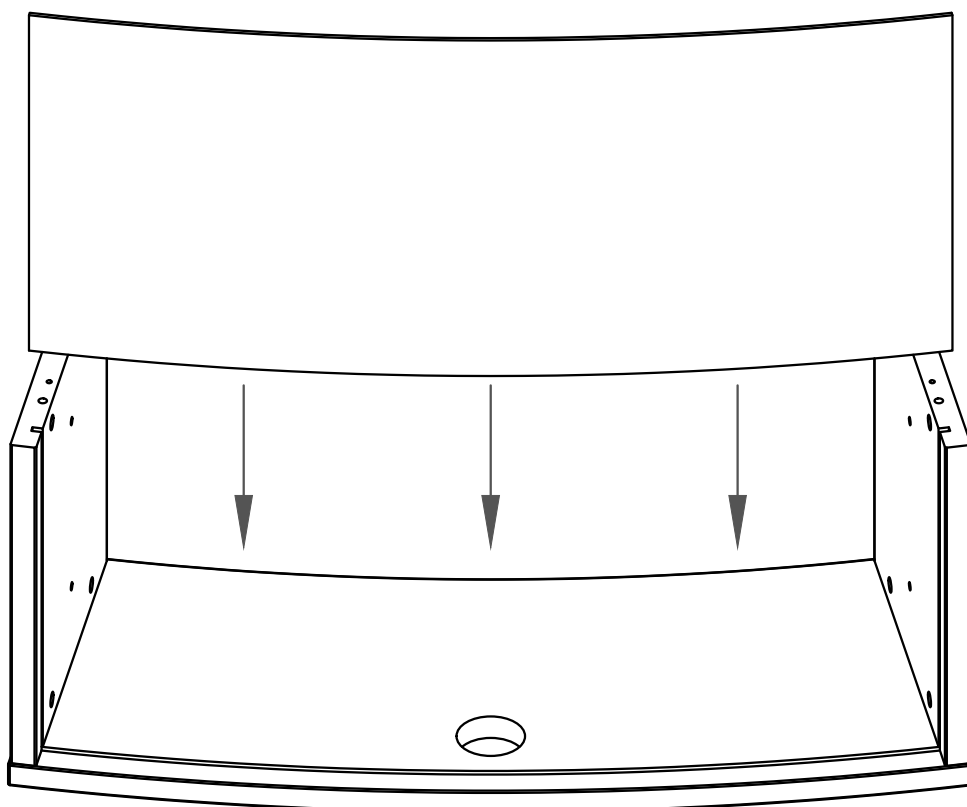
5



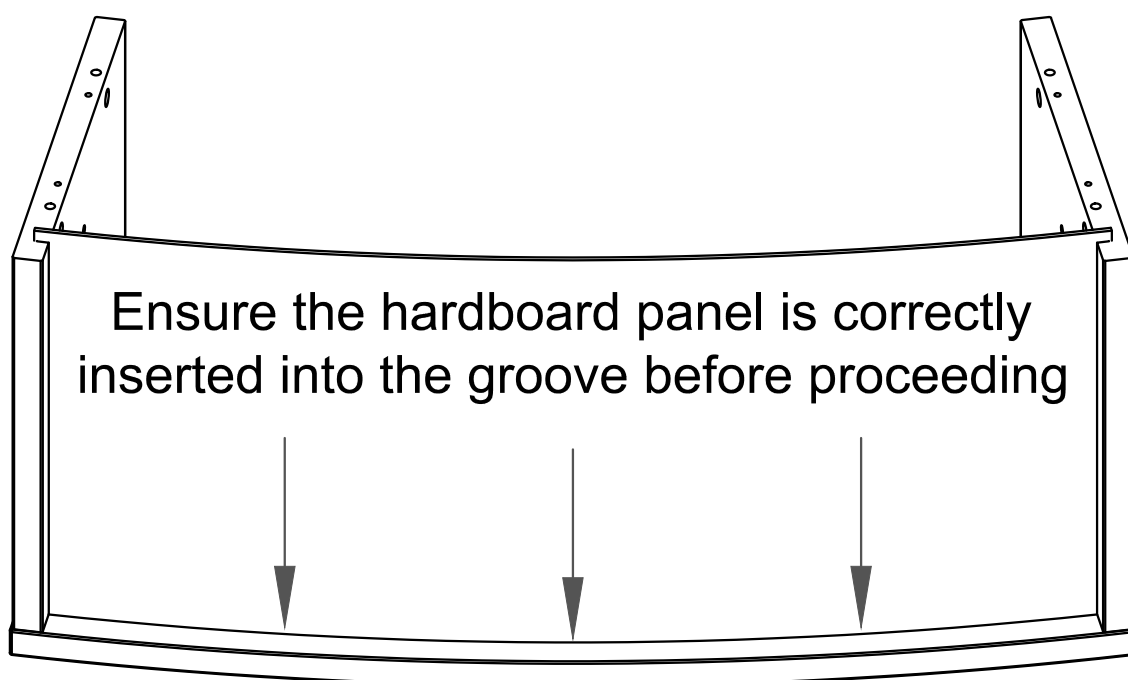
6



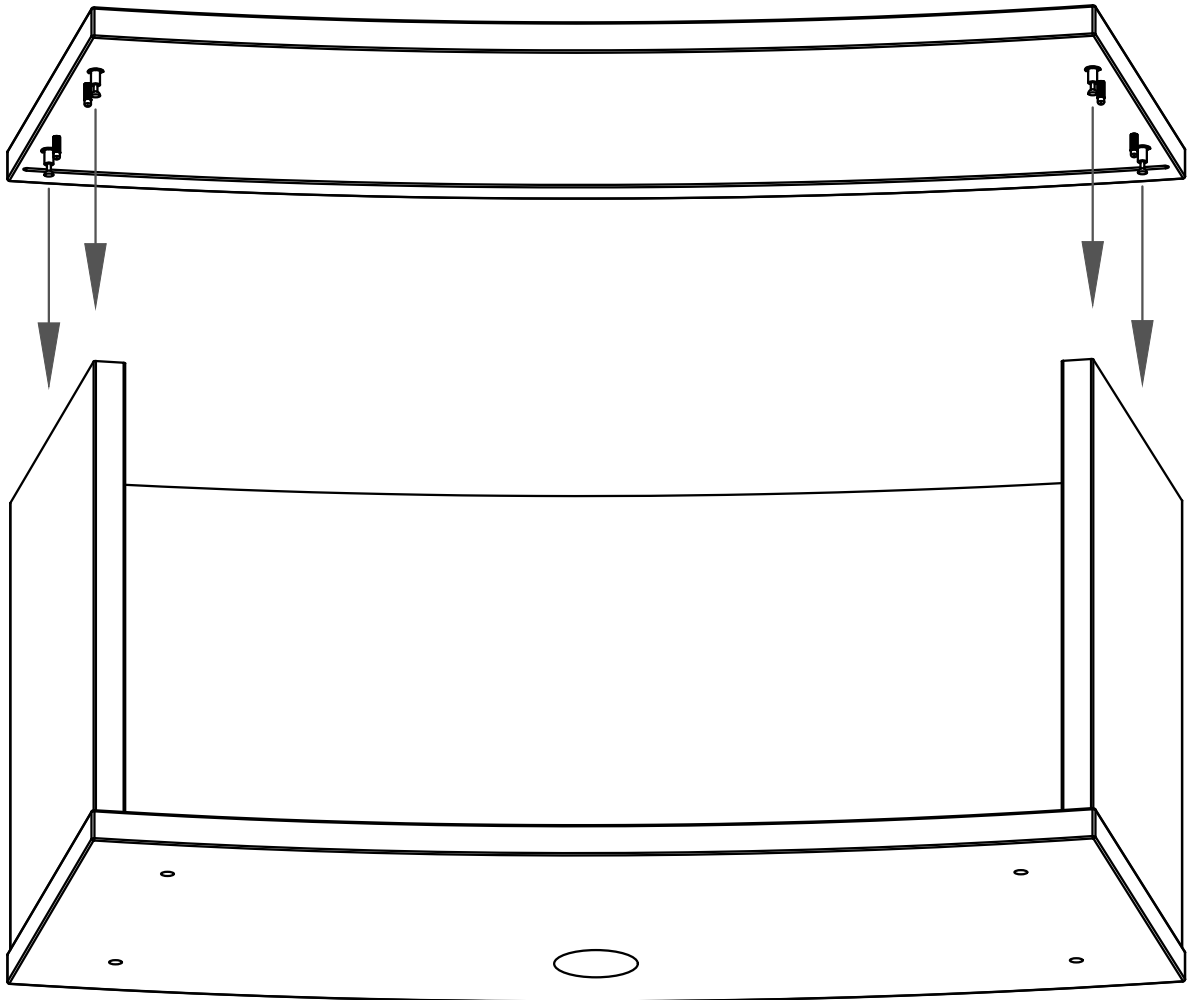
7



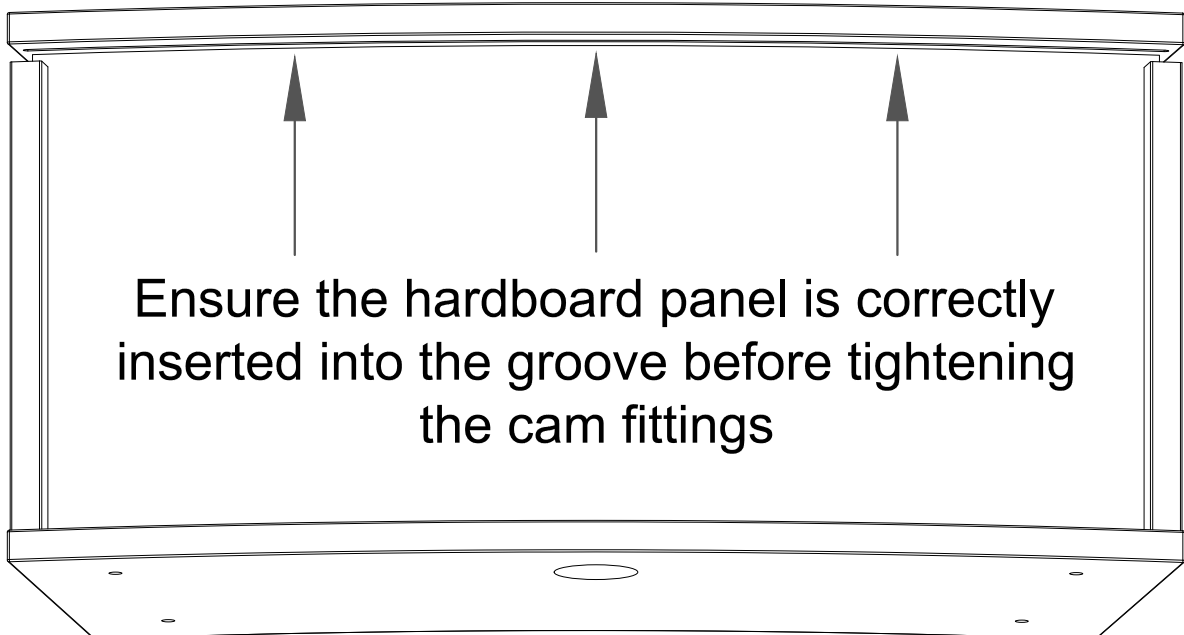
8



9

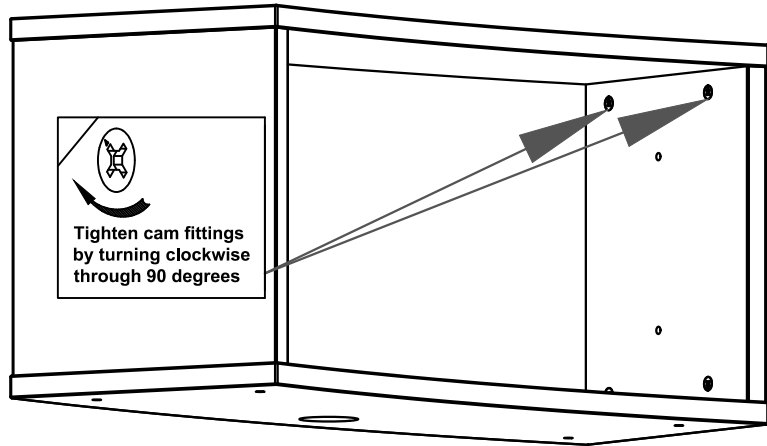
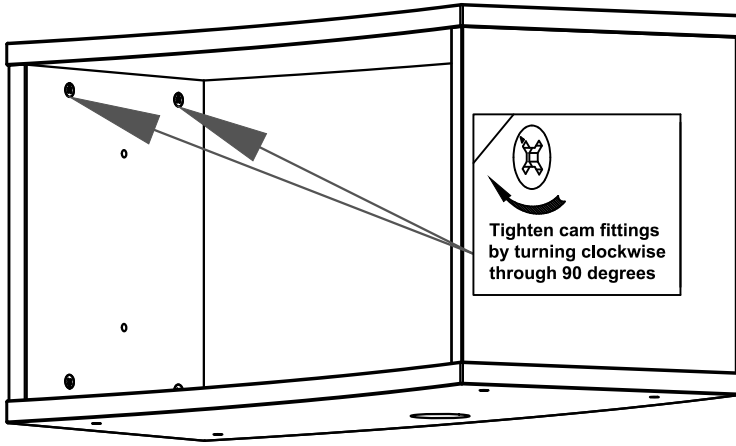


10



11

12

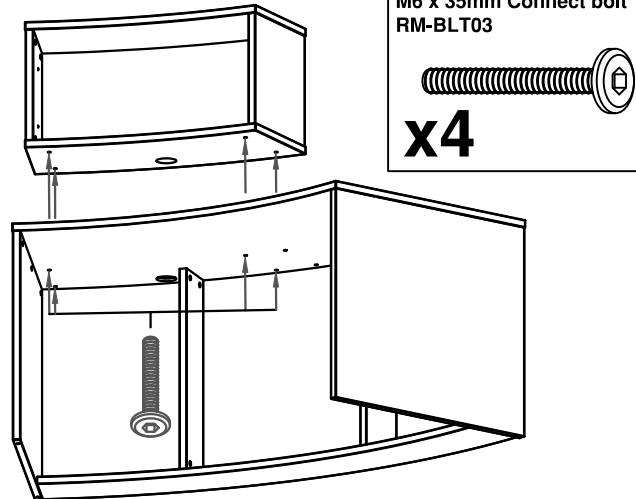
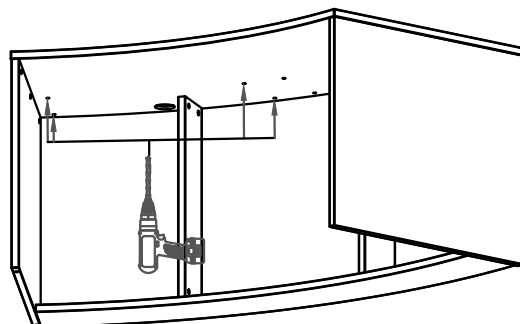
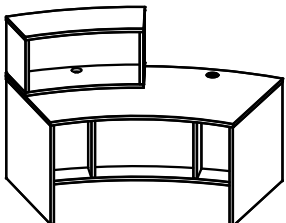
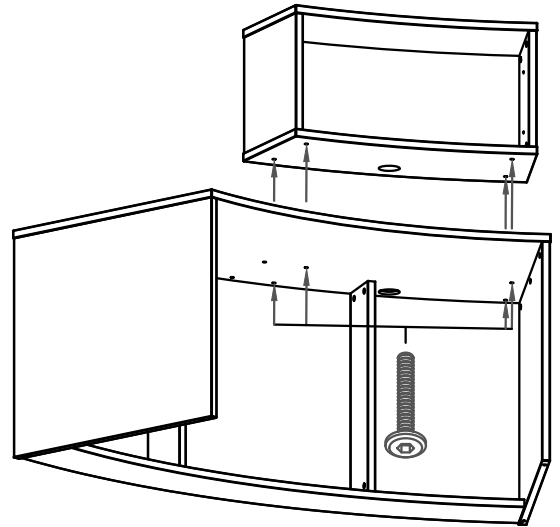
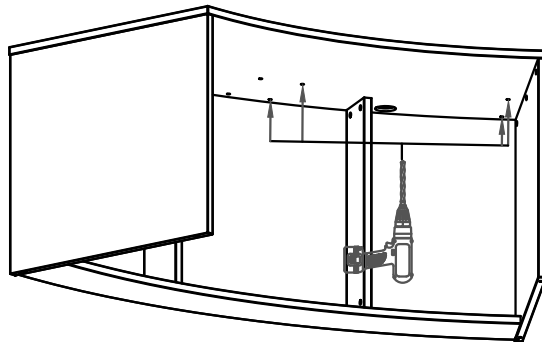
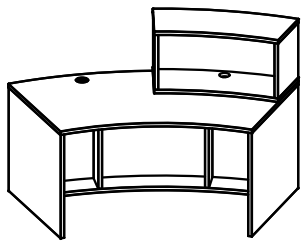


Follow the steps below for attaching the hutch unit to either the LH or RH side of your desk.

M6 x 35mm Connect bolt RM-BLT03



x4



M6 x 35mm Connect bolt RM-BLT03



x4