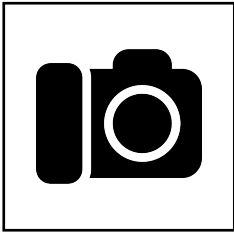


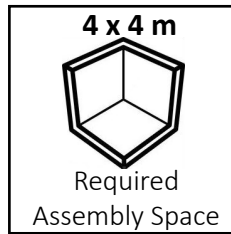
# CHATBOX Assembly Manual

# Product components

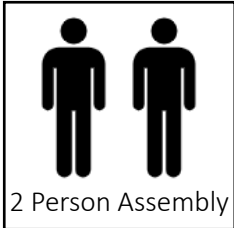
## IMPORTANT SAFETY INFORMATION



Take photographs before and after opening the cardboard packages to document any damage caused during delivery.



Assembly requires approximate 4x4m open floor space for safety.



Minimum two persons required for the product assembly.

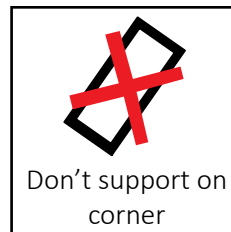


Risk of tip-over during product assembly, additional support required for safety.



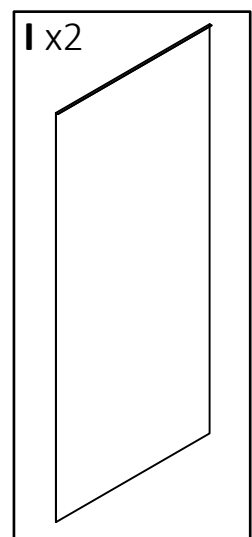
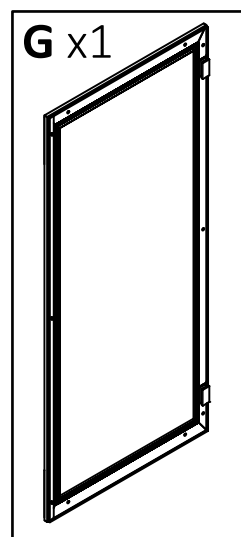
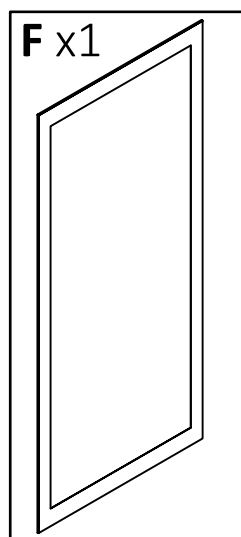
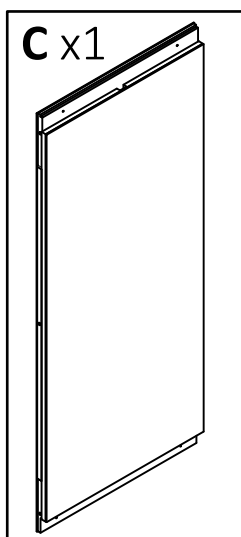
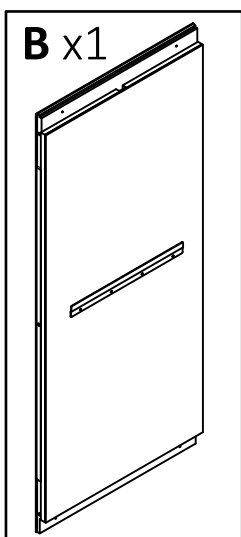
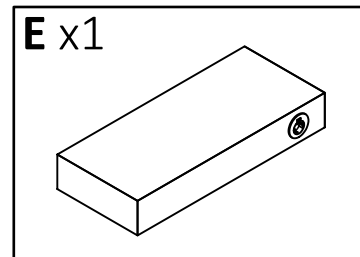
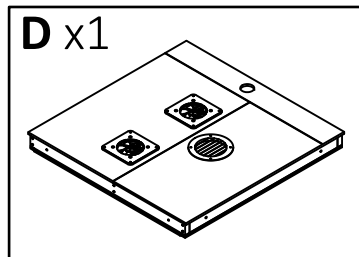
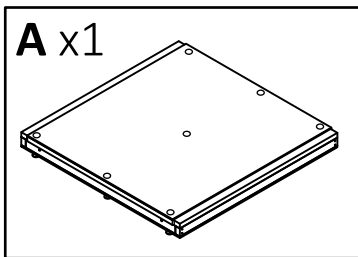
Approximate assembly time is 30 min.

*Note! Assembly may take longer.*

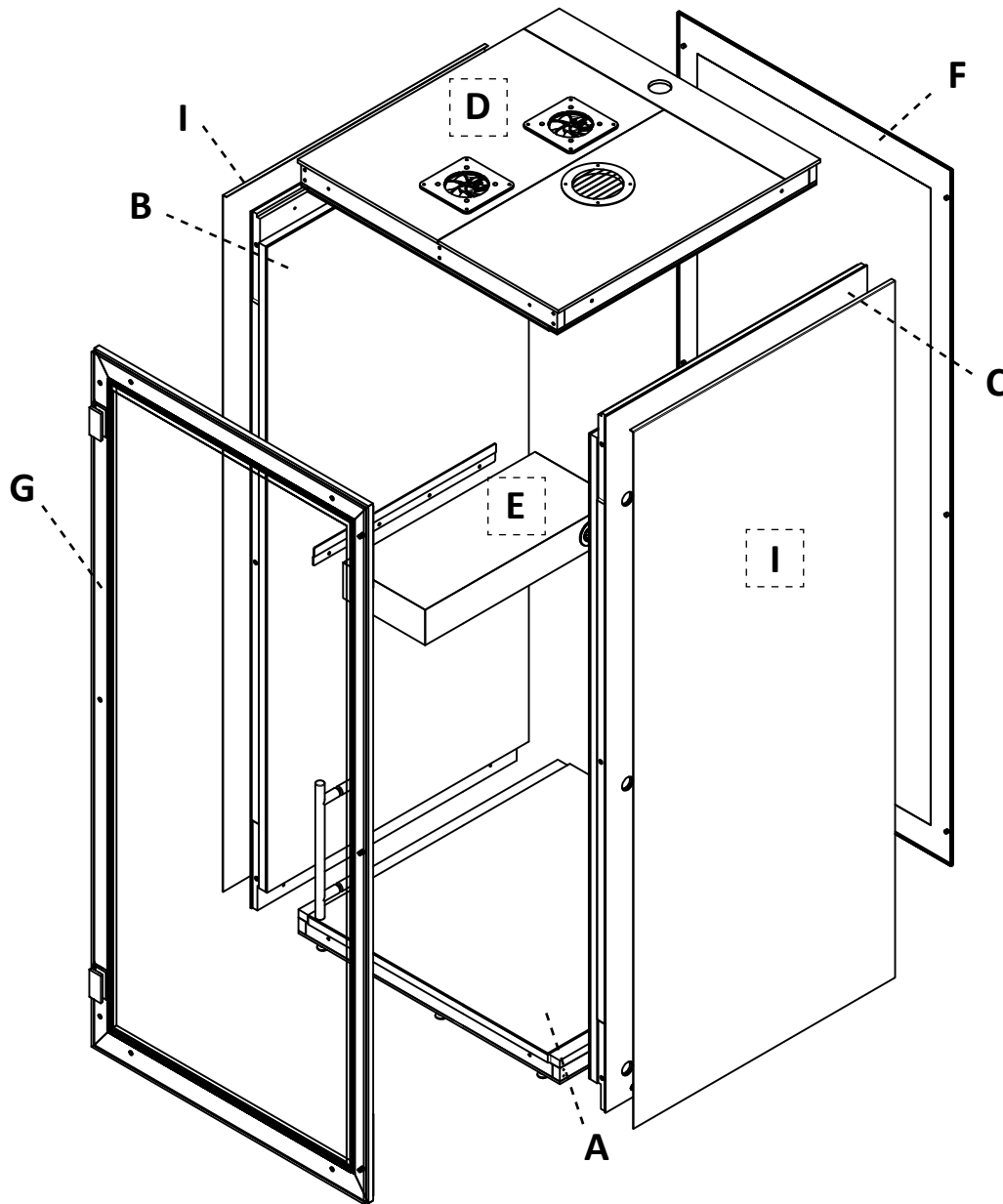


Risk of damaging the glass panels or other product parts if supported on corners for assembly and transportation.

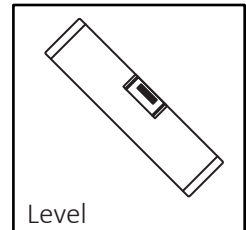
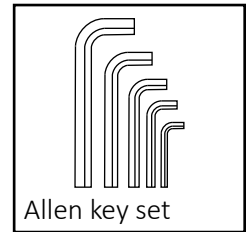
## COMPONENTS:



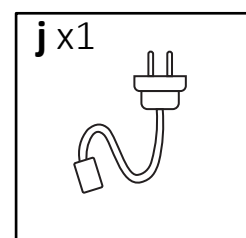
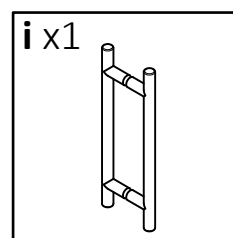
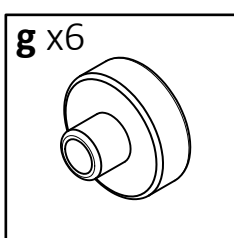
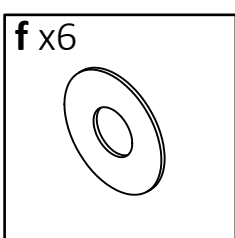
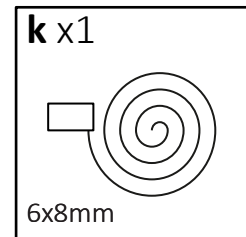
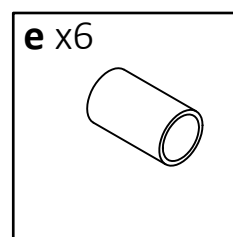
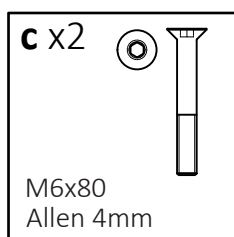
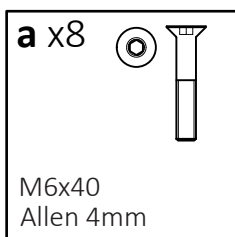
# Attachments and Tools



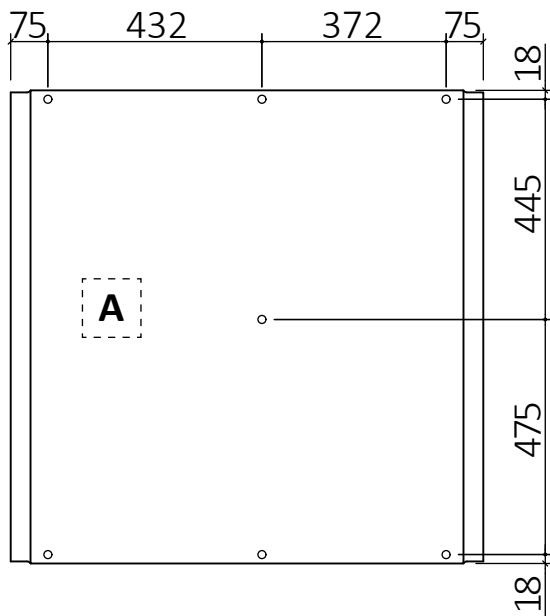
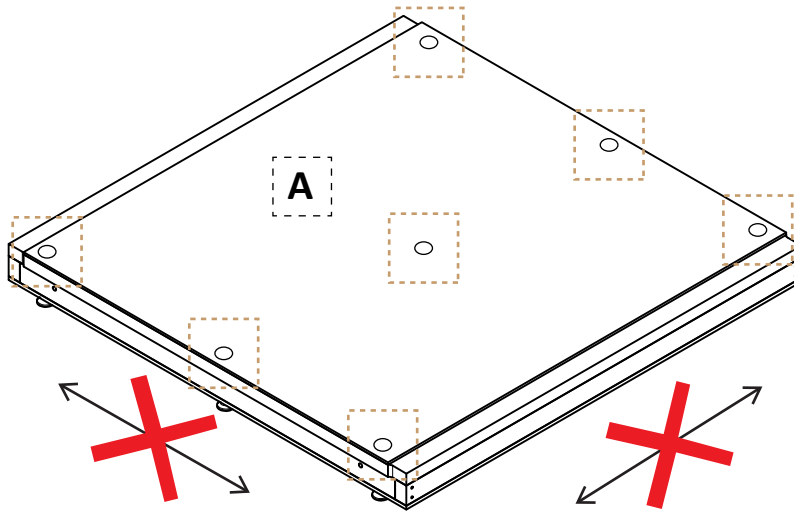
## TOOLS:



## ATTACHMENTS:

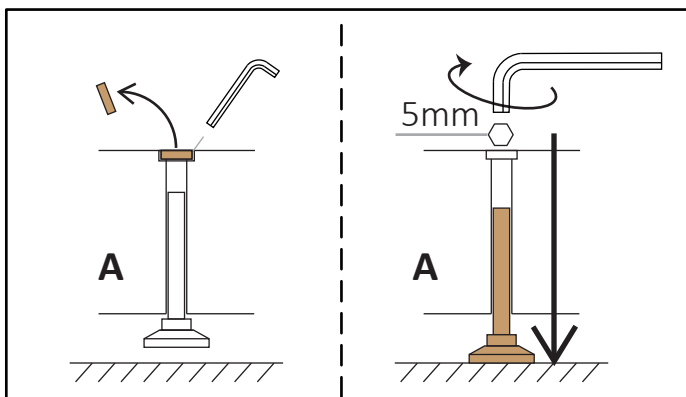


# 1. Floor module Assembly

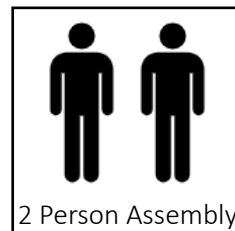
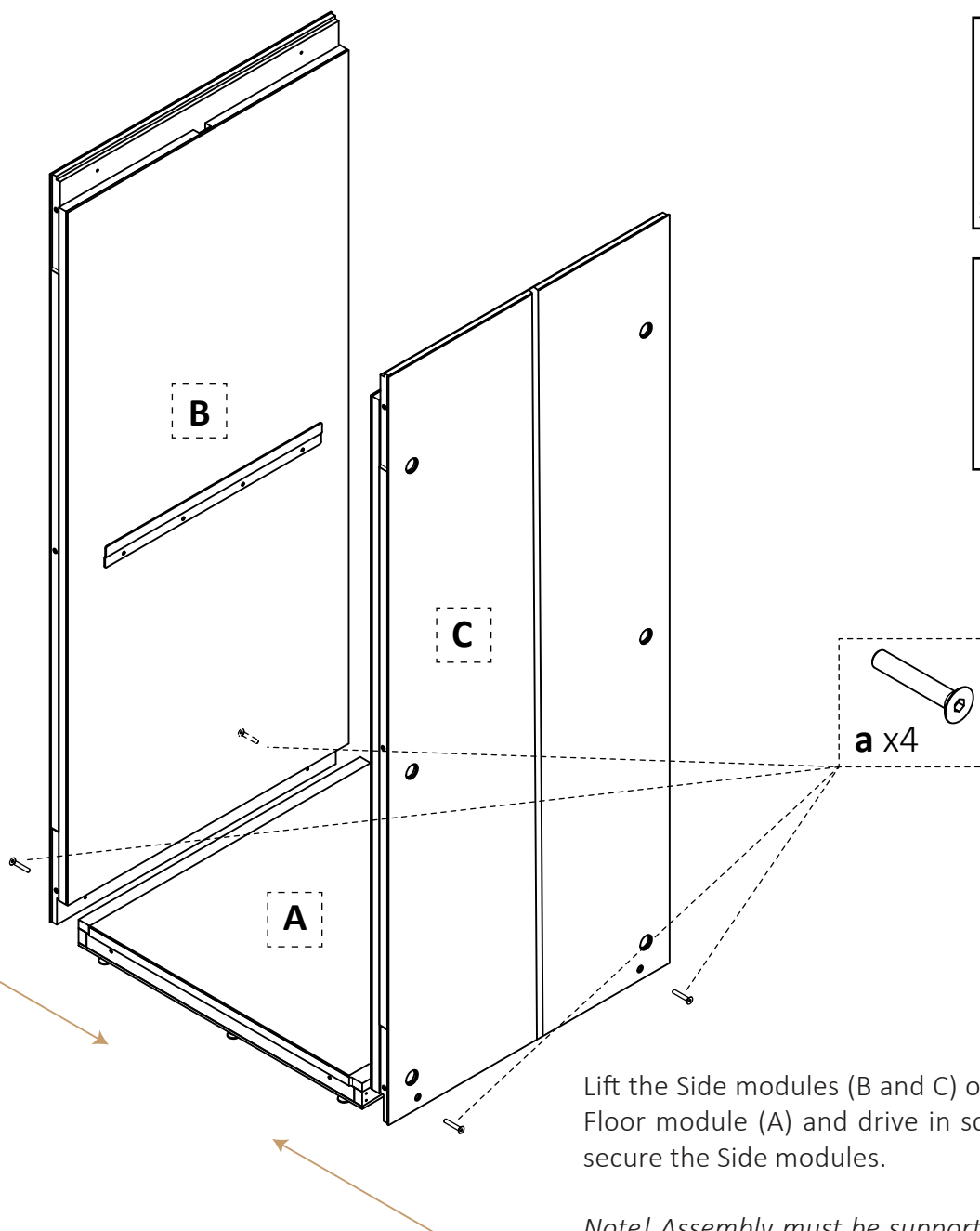


Place the Floor module (A) at desired location of the Chatbox. Remove carpet plugs on marked positions and use a 5mm allen key and a level to adjust all 7 levelling glides.

*Note! Glides must be lowered minimally.*

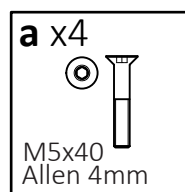
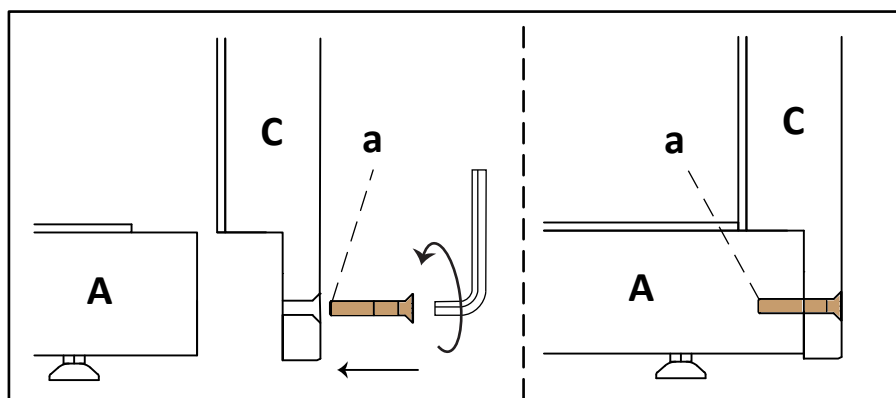


## 2. Side module Assembly

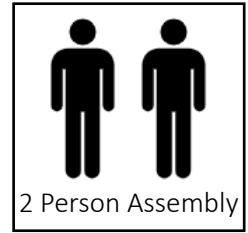
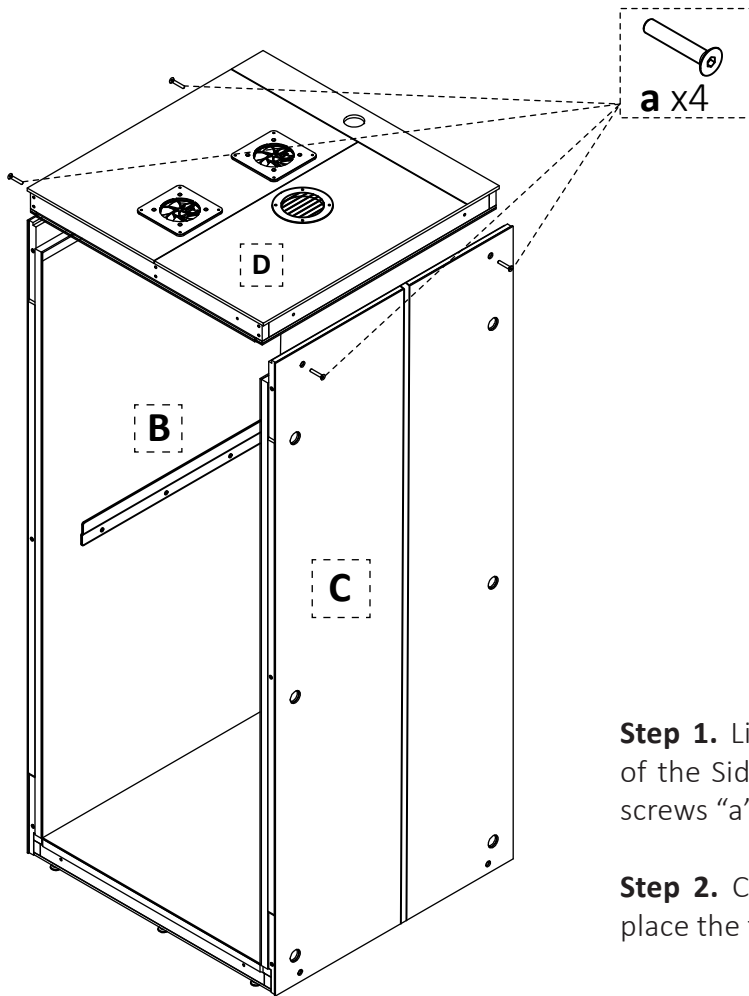


Lift the Side modules (B and C) on top of the Floor module (A) and drive in screws "a" to secure the Side modules.

*Note! Assembly must be supported from the side to avoid tipping over before second Side module is attached.*



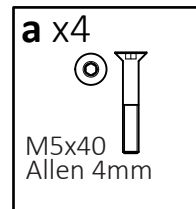
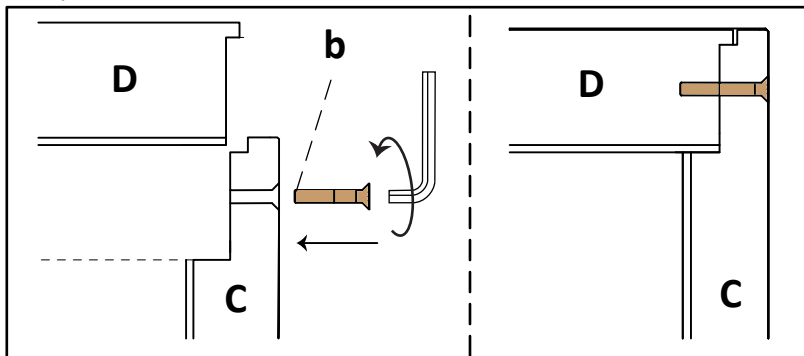
### 3. Ceiling module Assembly



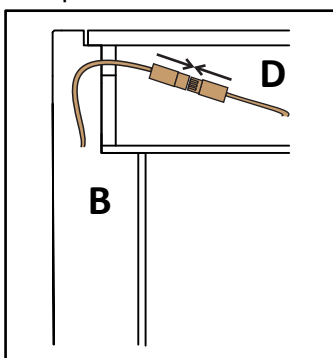
**Step 1.** Lift the Ceiling module (D) on top of the Side modules (B and C) and drive in screws “a” to secure the side modules.

**Step 2.** Connect the electrical fittings and place the fittings into the Ceiling module (D)

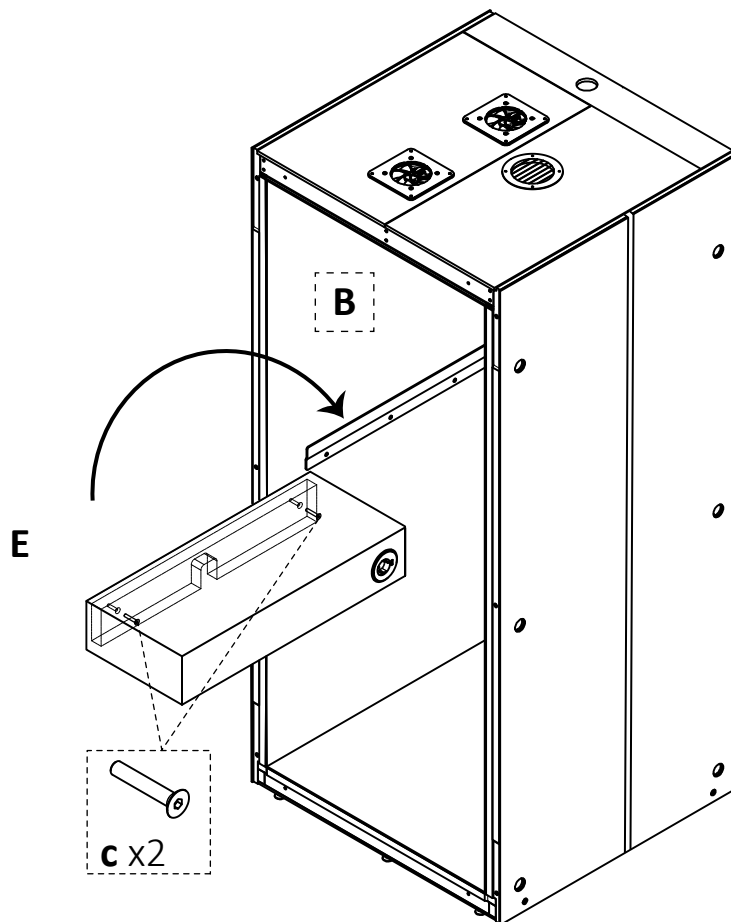
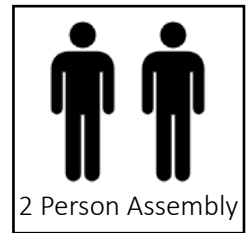
Step 1.



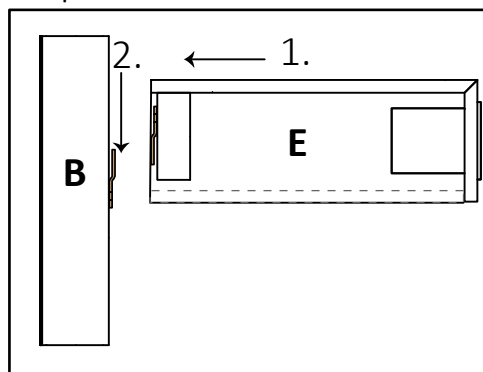
Step 2.



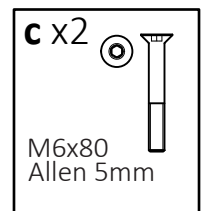
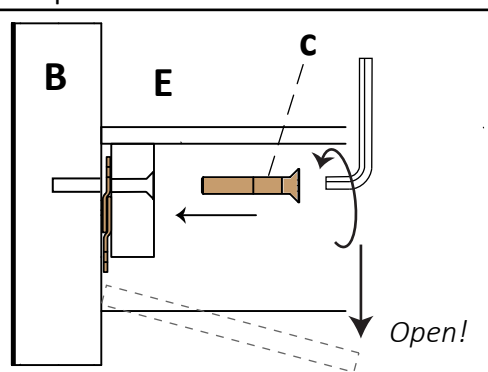
## 4. Table Assembly



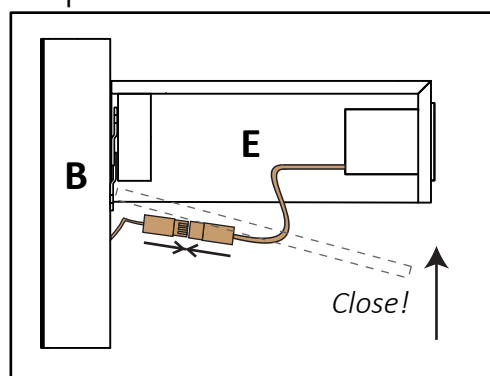
Step 1.



Step 2.



Step 3.



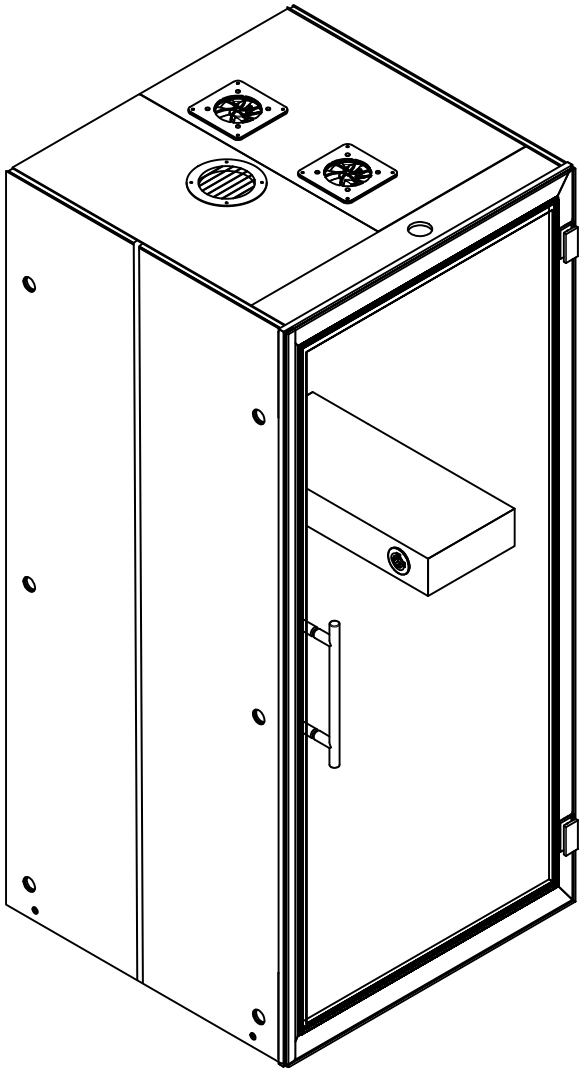
**Step 1.** Lift table (E) above the lath attached to side module (B), push the table (E) against the side module (B) and lower the table (E) until it stands on the lath.

**Step 2.** Open the panel underneath the table and then use a 5mm allen key to drive in screws "c" to secure table (E) to the side module (B). *Note! Panel is secured with magnets.*

**Step 3.** Connect the electrical fittings between the table (E) and Side module (B) and close the panel underneath the table.

## ASSEMBLY OPTIONS FOR CHATBOX HANDEDNESS

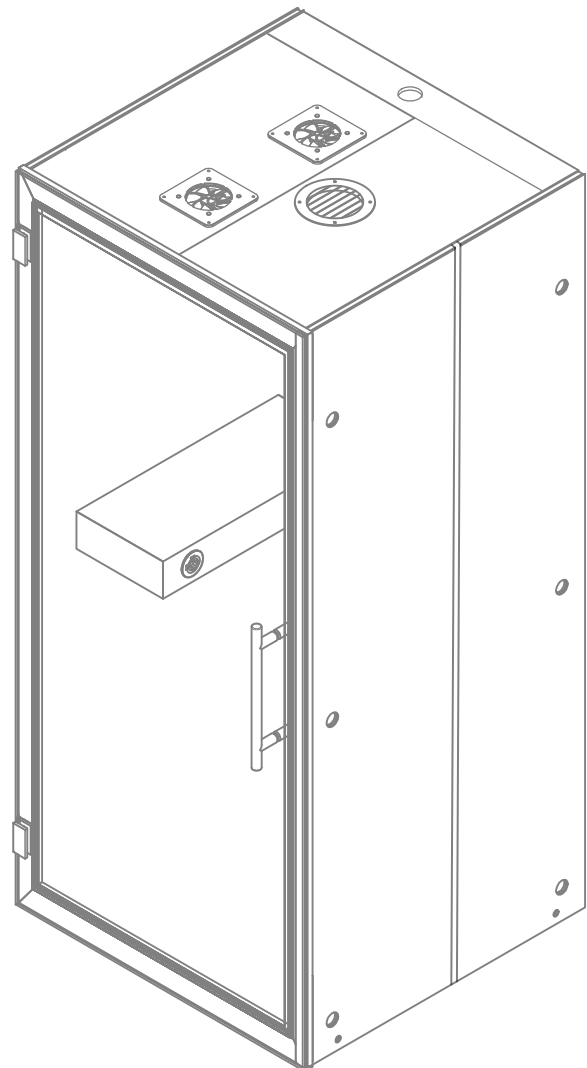
### RIGHT HANDED ASSEMBLY



Right handed Gasket, Rear glass and Door frame assembly @ **page 7-11**

(Skip until @ page 12 if assembly is Left handed)

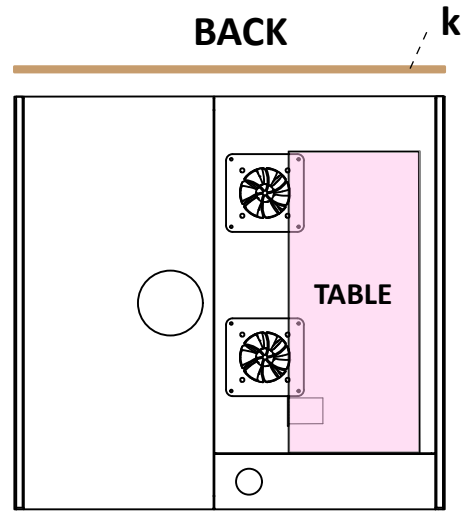
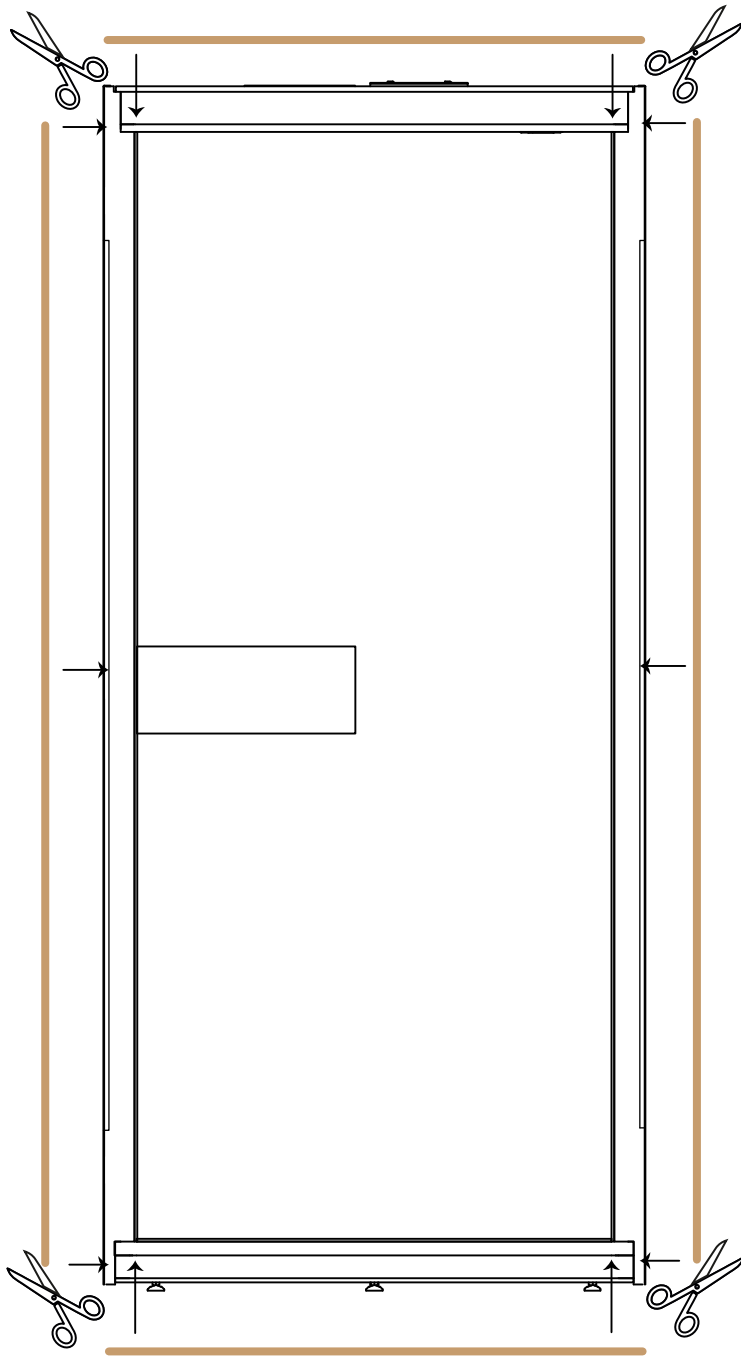
### LEFT HANDED ASSEMBLY



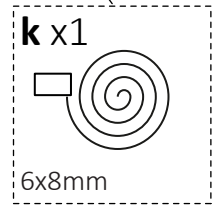
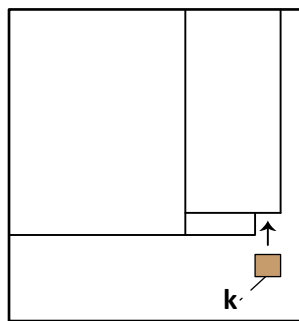
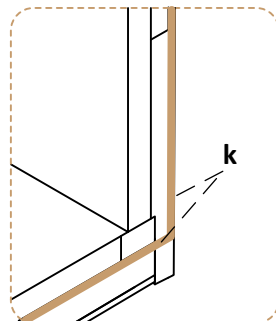
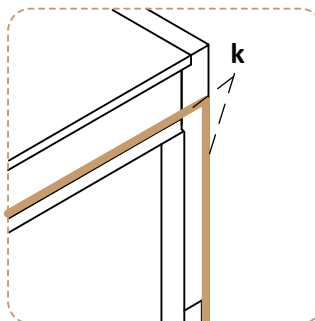
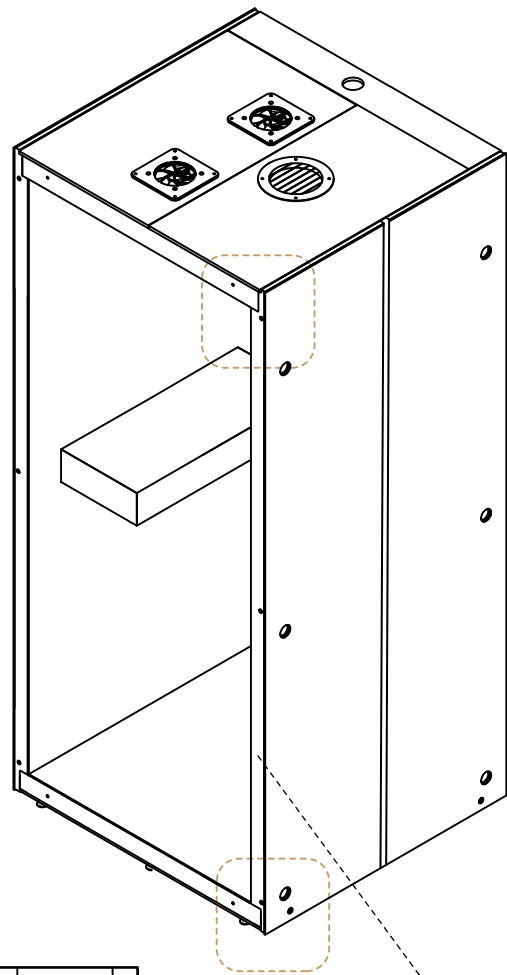
Left handed Gasket, Rear glass and Door frame assembly @ **page 12-16**



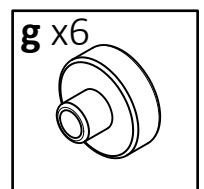
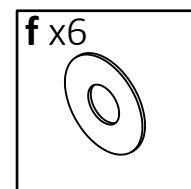
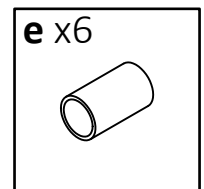
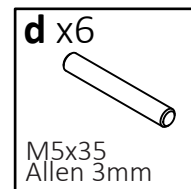
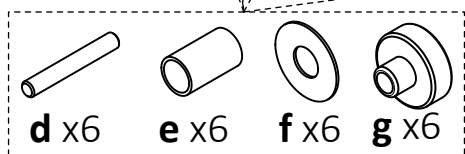
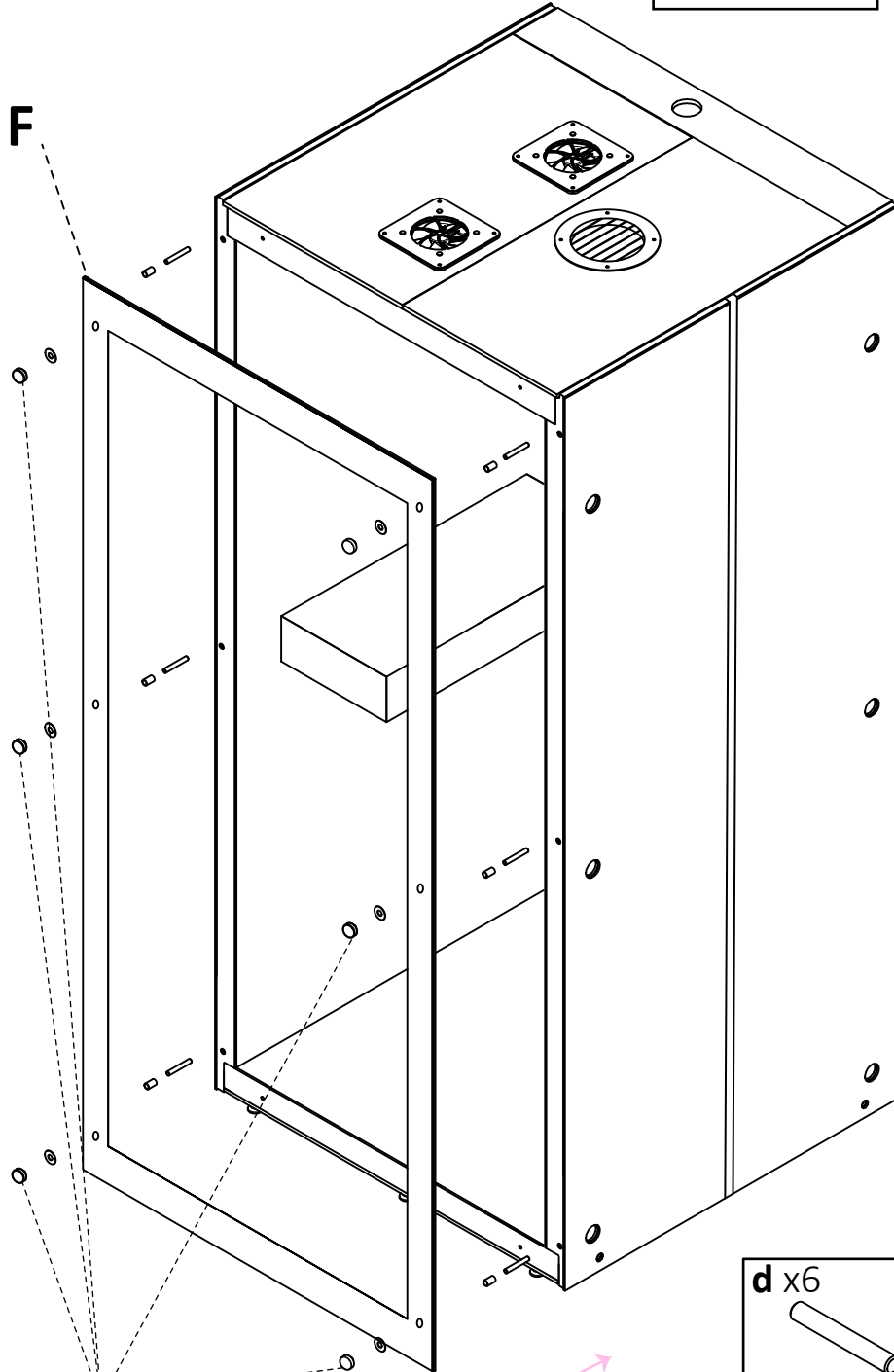
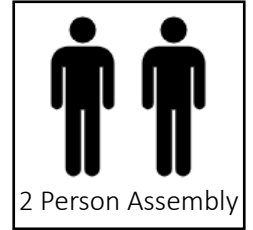
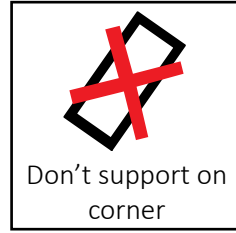
# 5R. Gasket Assembly



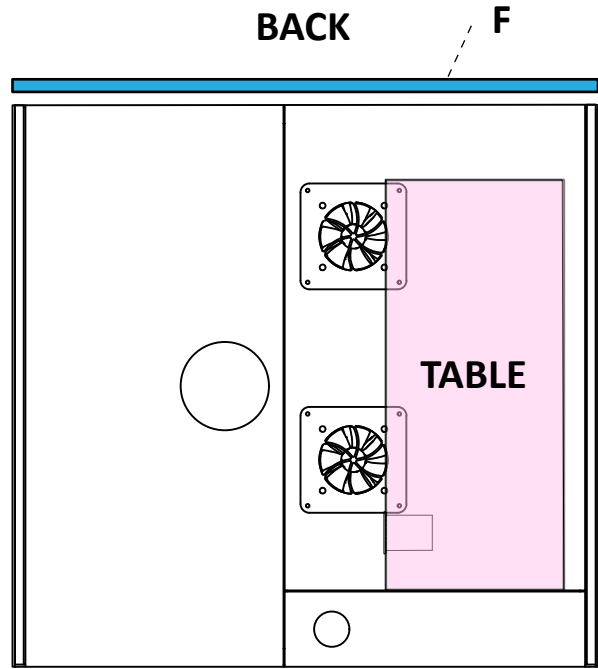
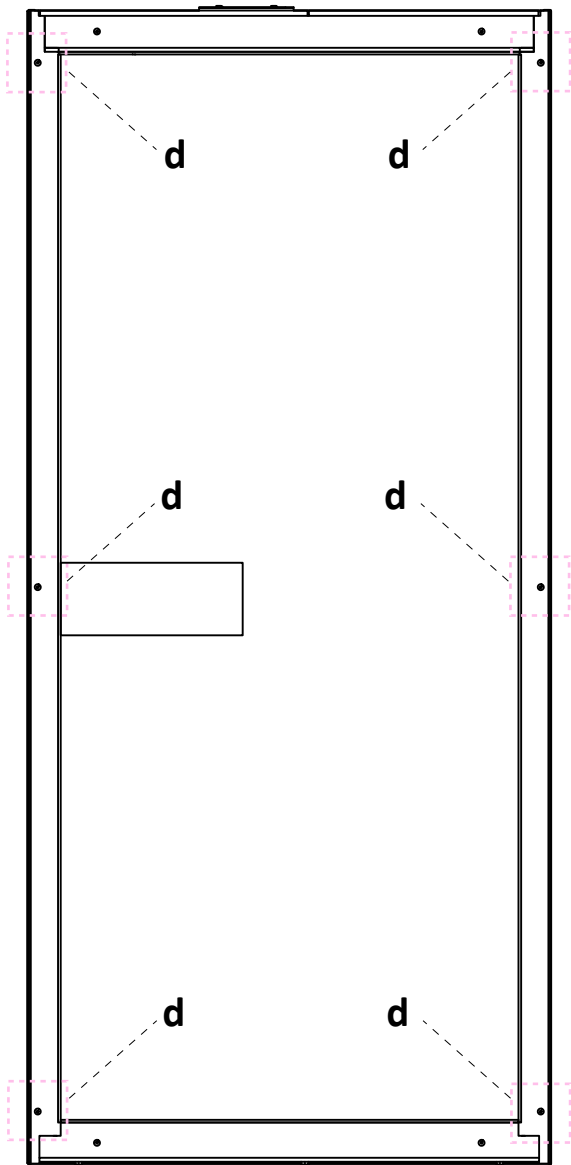
**FRONT**  
*Note! Table on Right side*



# 6R. Right Handed Rear Glass Assembly



## 6R. Right Handed Rear Glass Assembly



**FRONT**

*Note! Table on Right side*

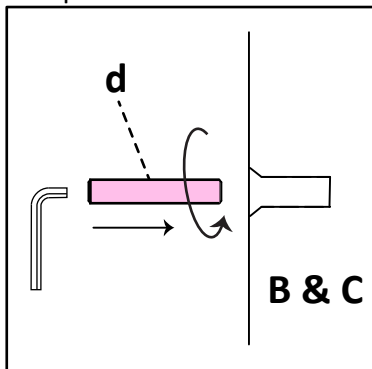
**Step 1.** Attach part "d" to the shown locations on side modules (B and C) using a 3mm allen key. *Note! Leave approx. 20mm of part "d" unbolted.*

**Step 2.** Place sleeve "e" around part "d"

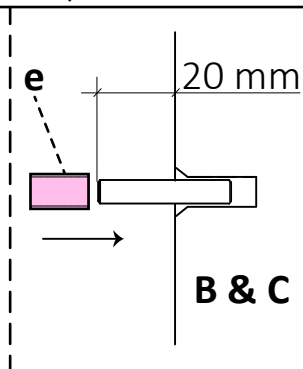
**Step 3.** Lift the glass panel (F) on top of previously attached parts.

**Step 4.** Use parts "f" and "g" and a 1,5mm allen key to attach the Rear glass (F) on the Chatbox

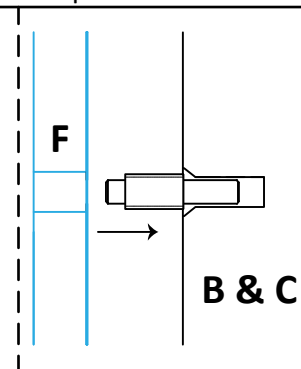
Step 1.



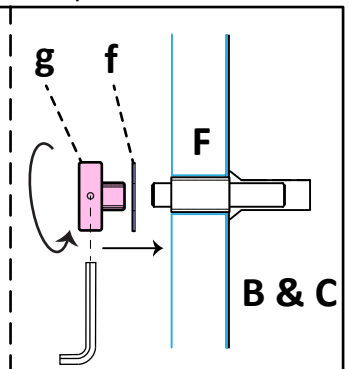
Step 2.



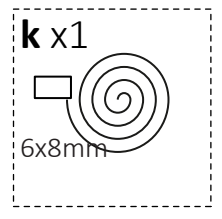
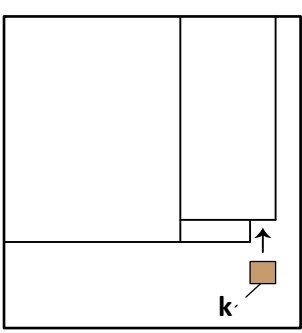
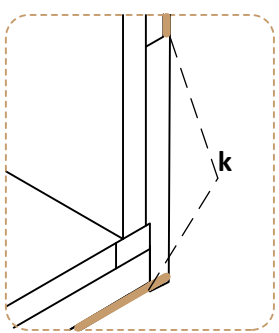
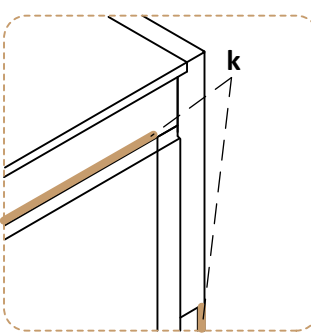
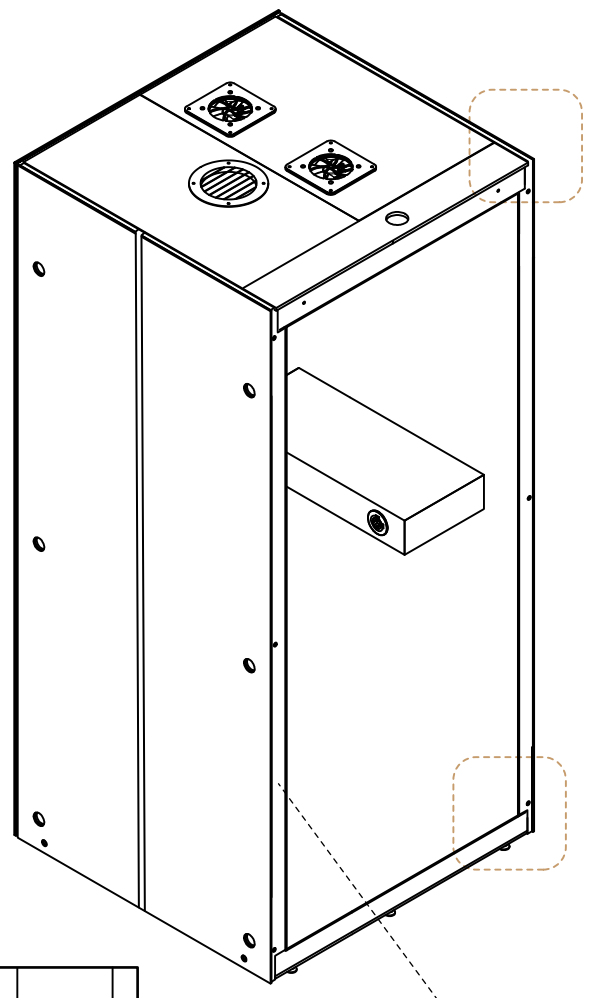
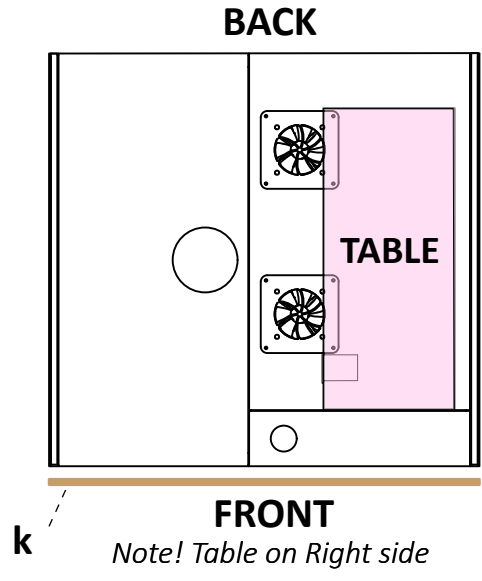
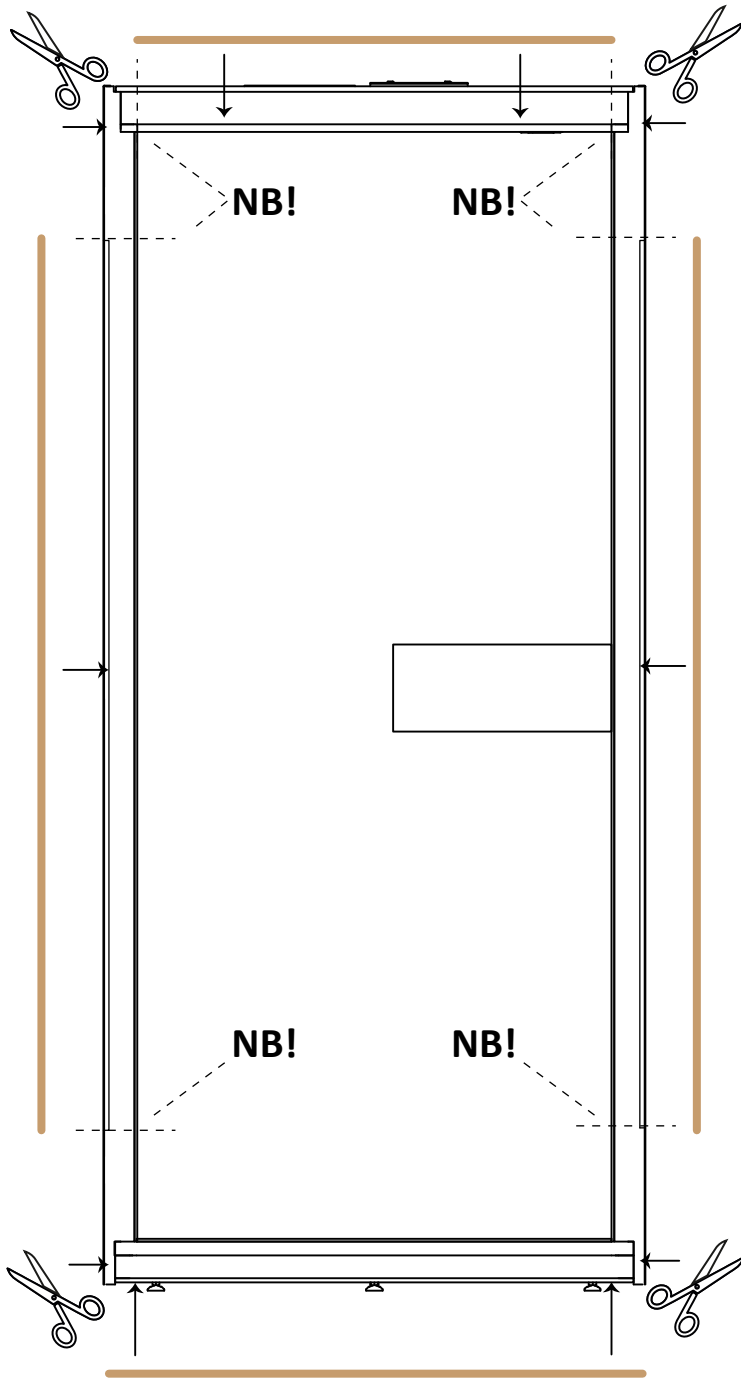
Step 3.



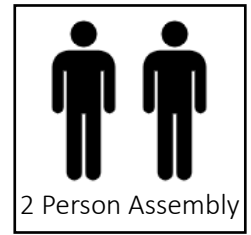
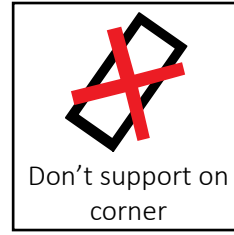
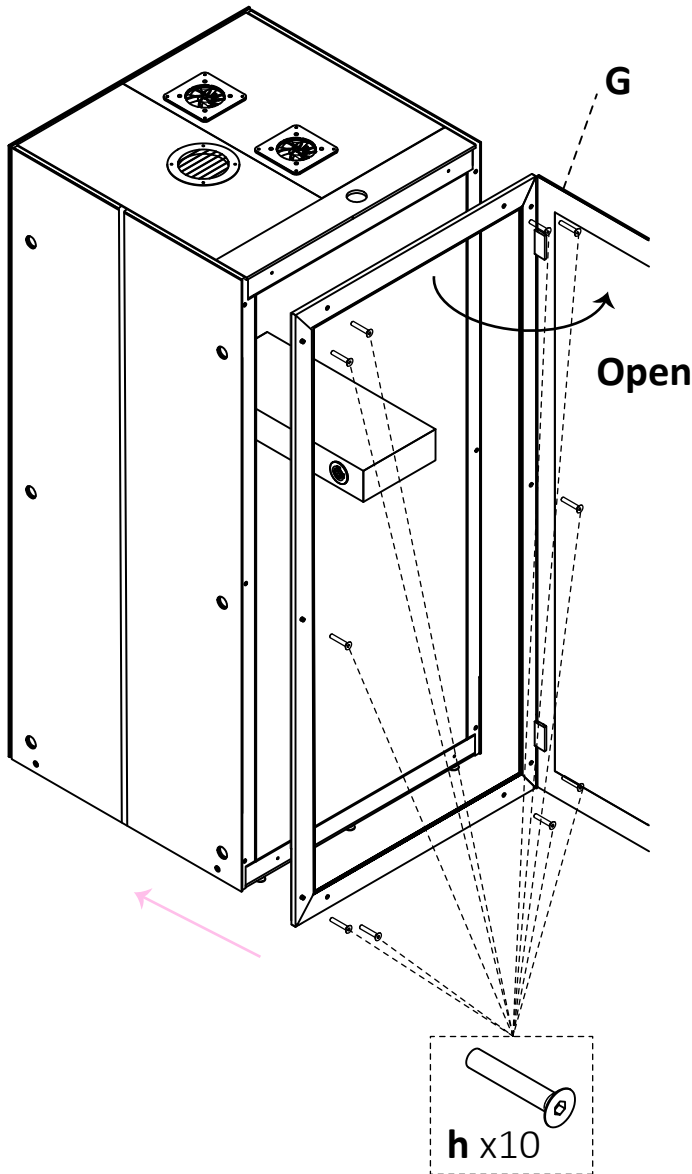
Step 4.



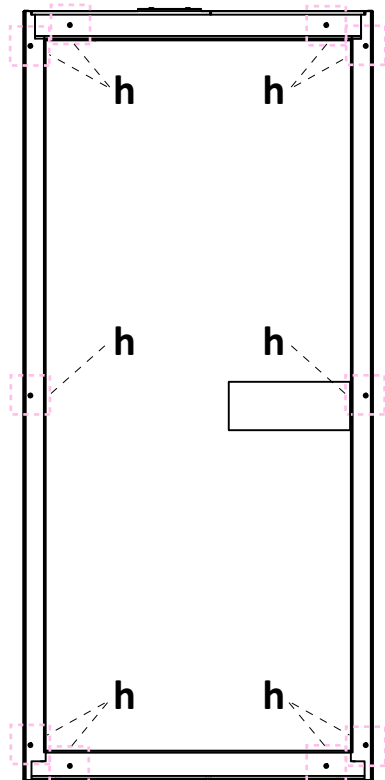
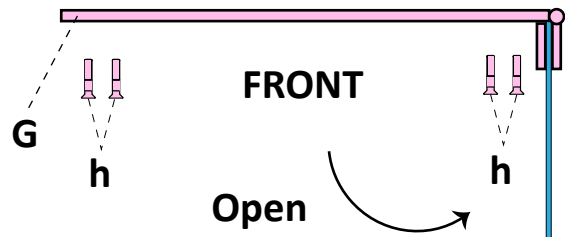
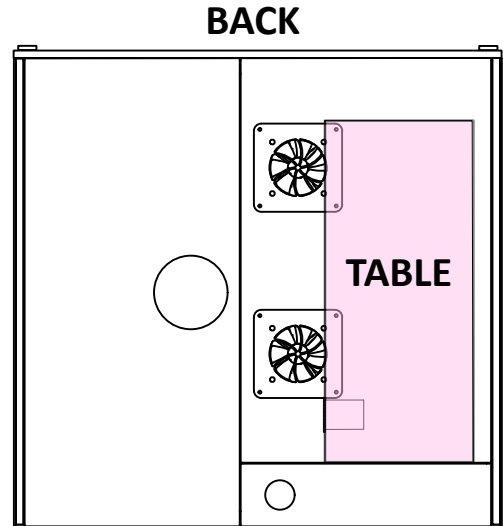
# 7R. Gasket Assembly



# 8R. Right Handed Door Frame Assembly

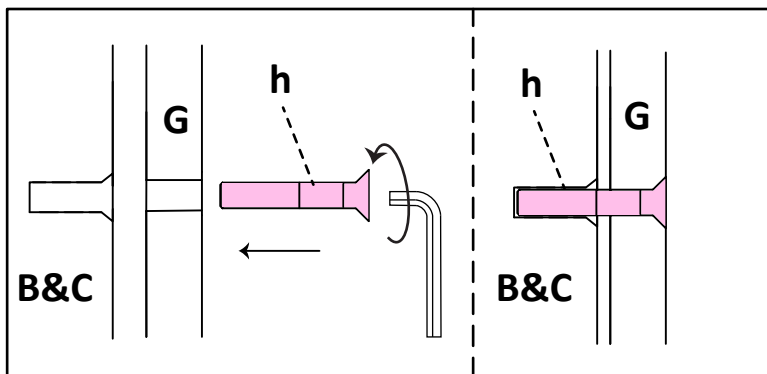


Note! Table on Right side



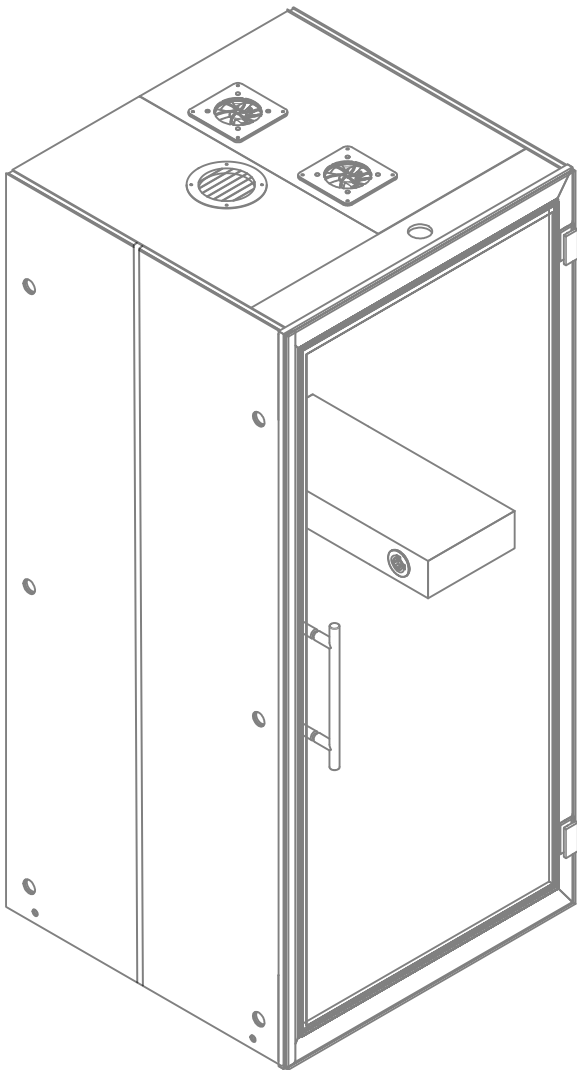
Use a 4mm allen key to drive in screws "h" to attach the Door frame (G) to the Chatbox

Note! Door must be in "open" position and supported from bottom edge for assembly.



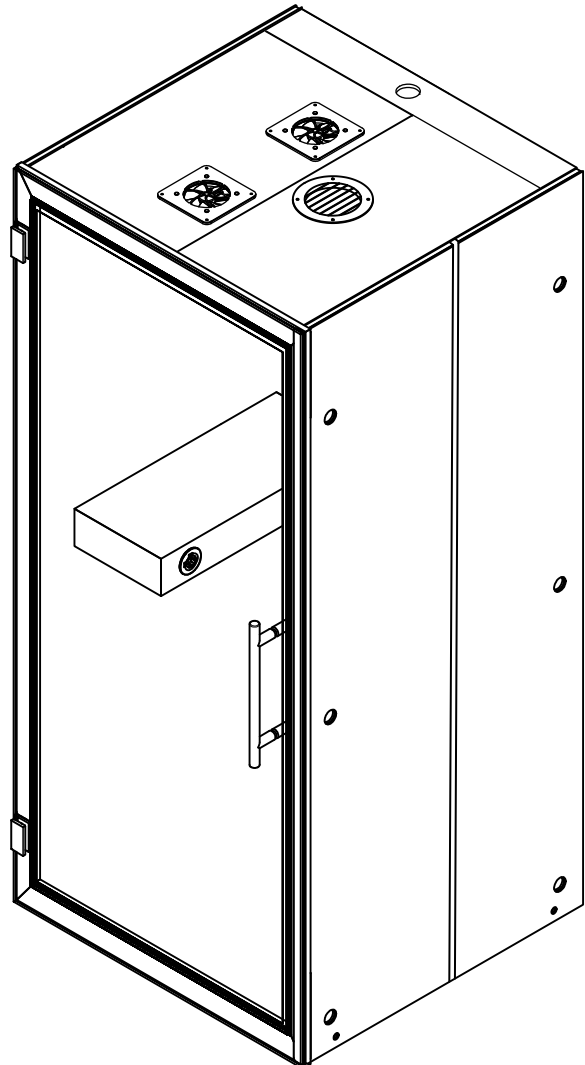
## ASSEMBLY OPTIONS FOR CHATBOX HANDEDNESS

### RIGHT HANDED ASSEMBLY



Right handed Gasket, Rear glass and Door frame assembly @ **page 7-11**

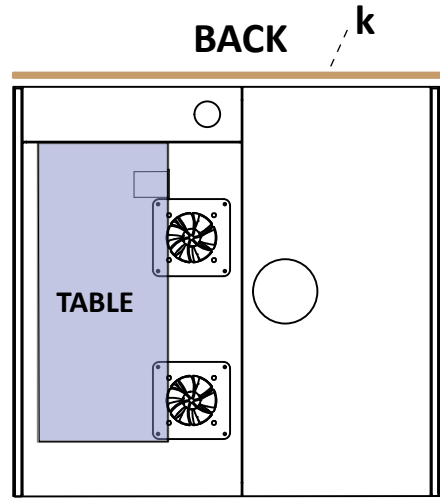
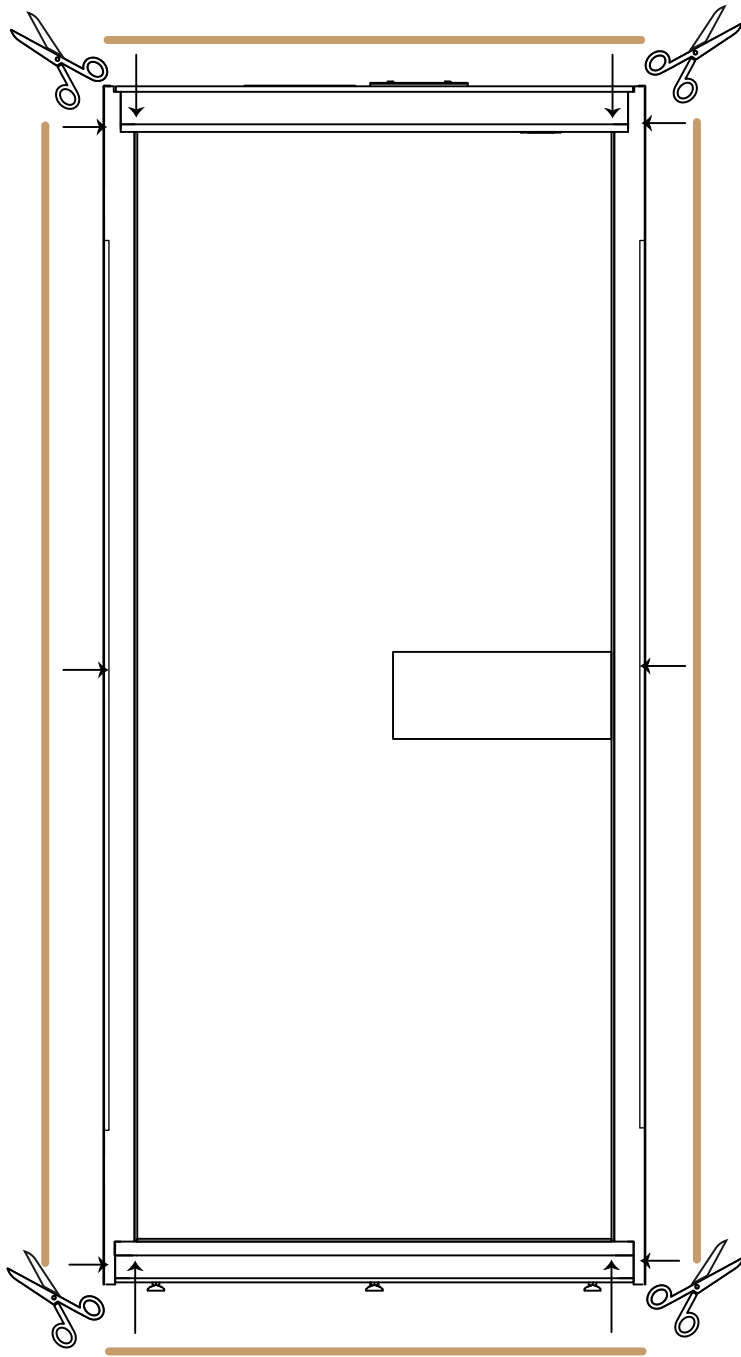
### LEFT HANDED ASSEMBLY



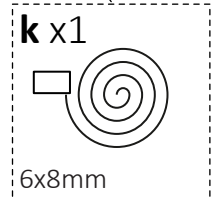
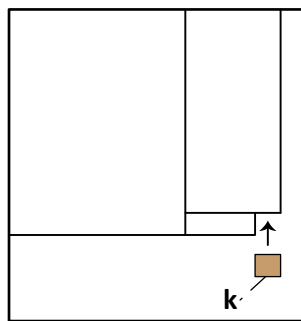
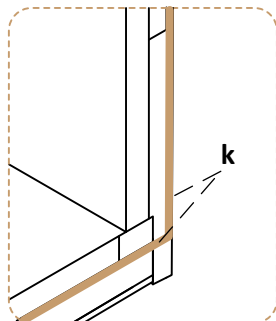
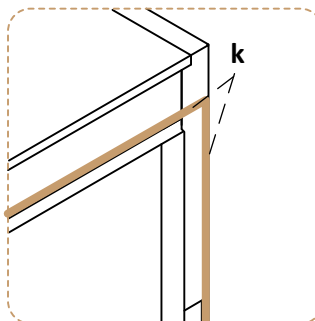
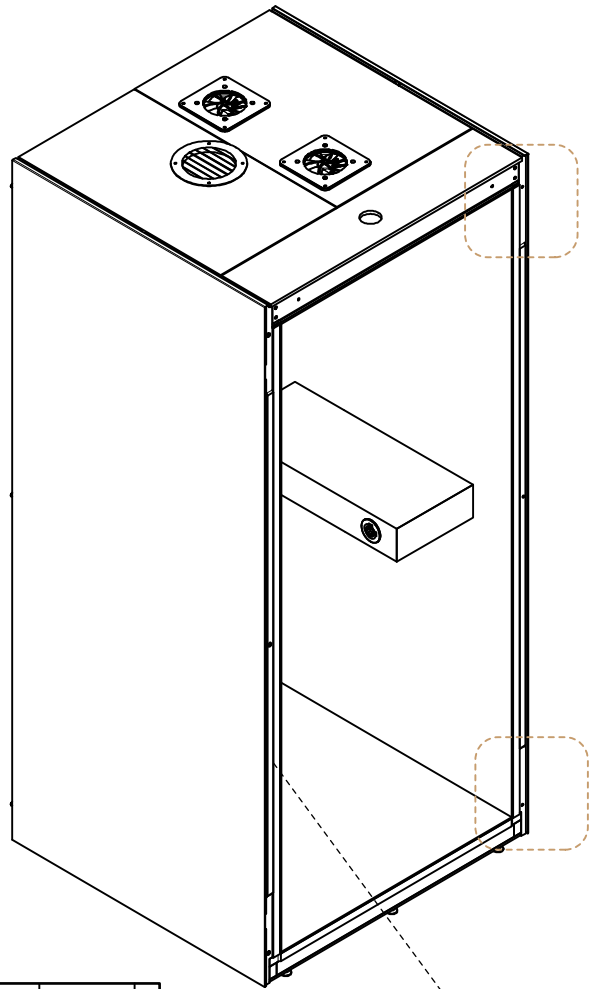
Left handed Gasket, Rear glass and Door frame assembly @ **page 12-16**

(Skip until @ page 17 if assembly is Right handed)

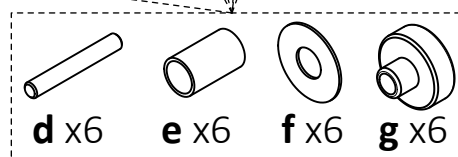
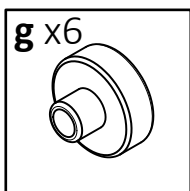
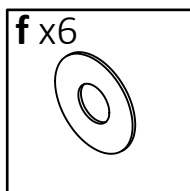
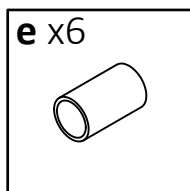
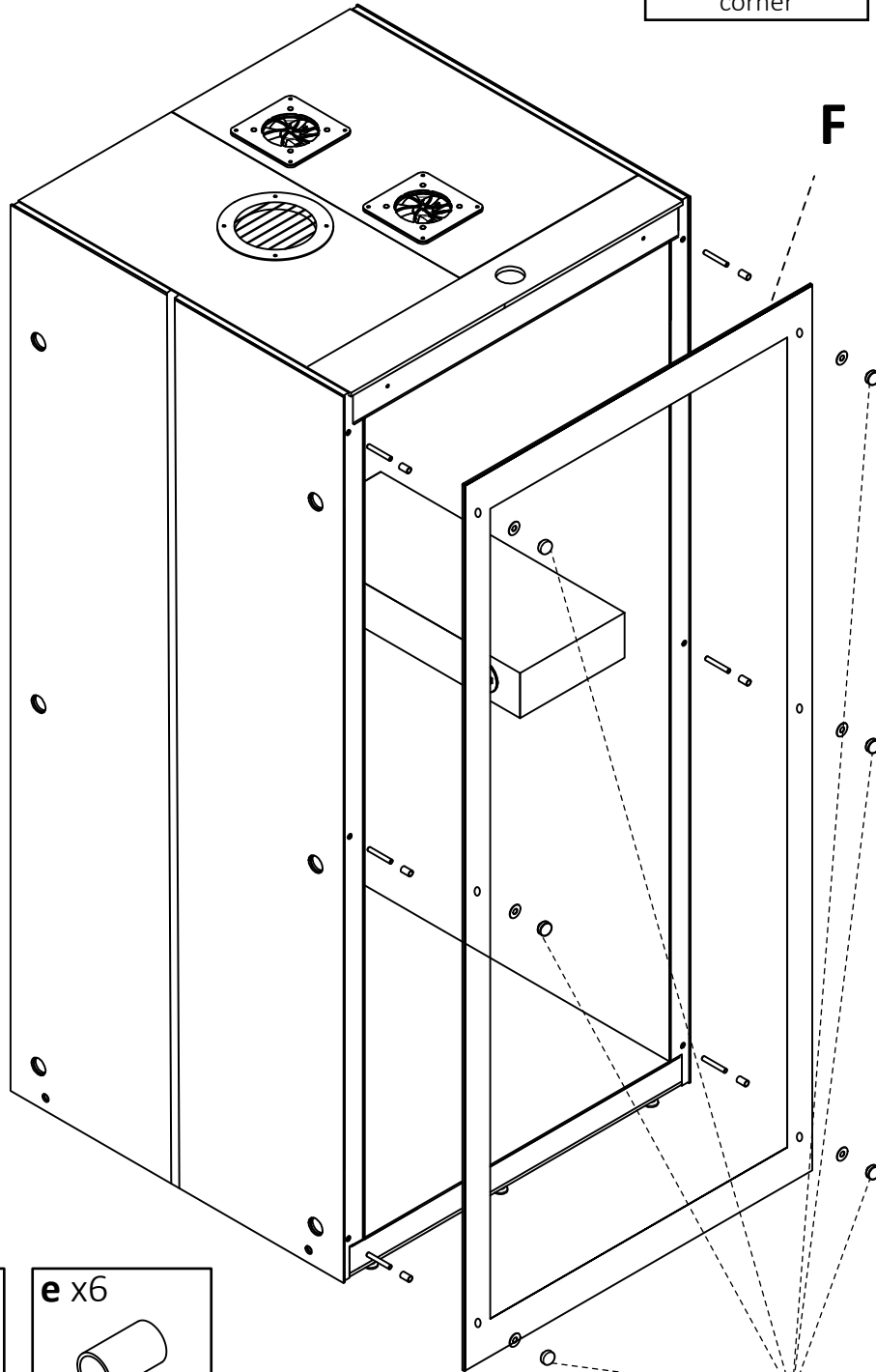
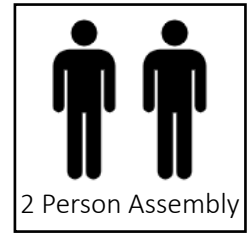
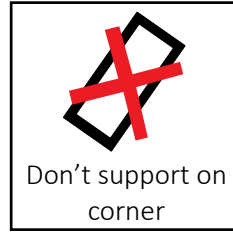
# 5L. Gasket Assembly



**FRONT**  
*Note! Table on Left side*

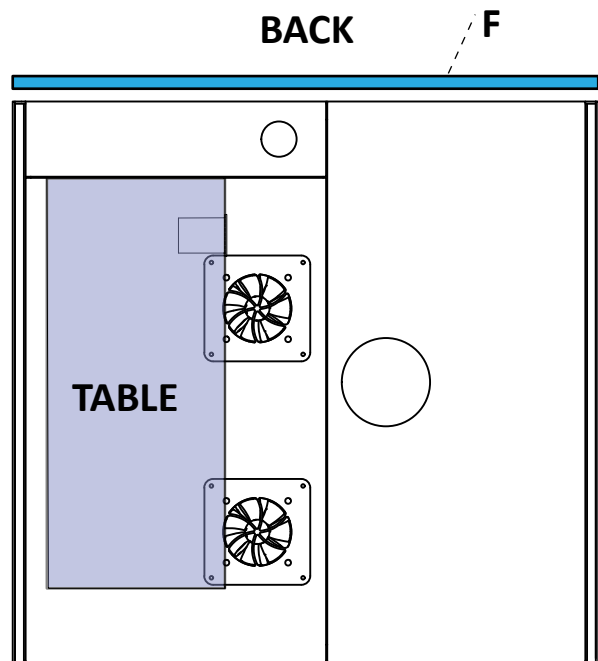
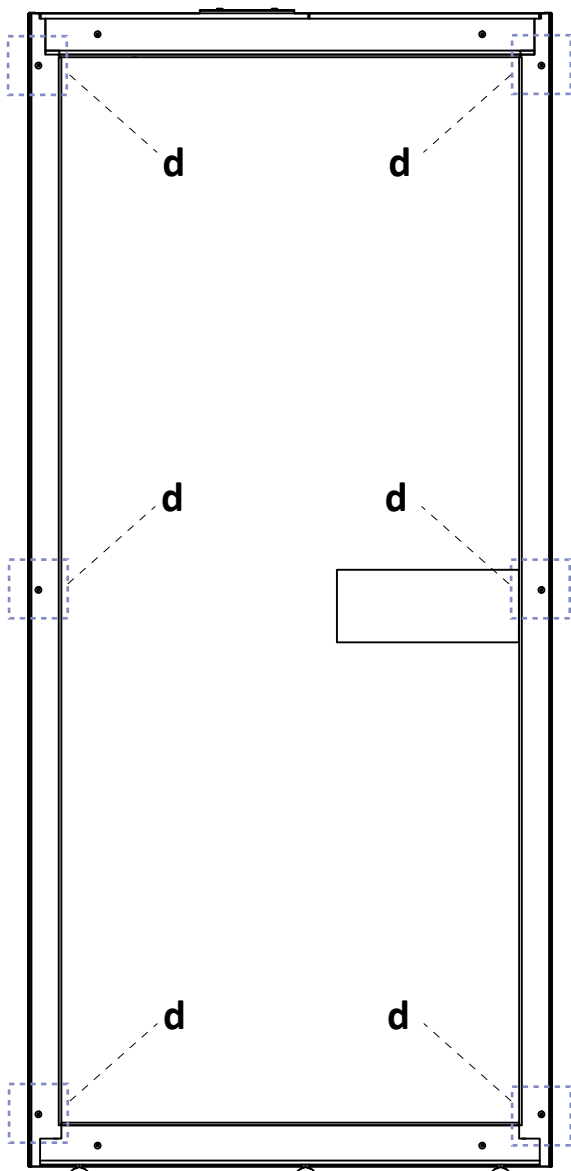


# 6L. Left Handed Rear Glass Assembly





## 6L. Left Handed Rear Glass Assembly



*Note! Table on Left side*

**Step 1.** Attach part “d” to the shown locations on side modules (B and C) using a 3mm allen key. *Note! Leave approx. 20mm of part “d” unbolted.*

**Step 2.** Place sleeve “e” around part “d”

**Step 3.** Lift the glass panel (F) on top of previously attached parts.

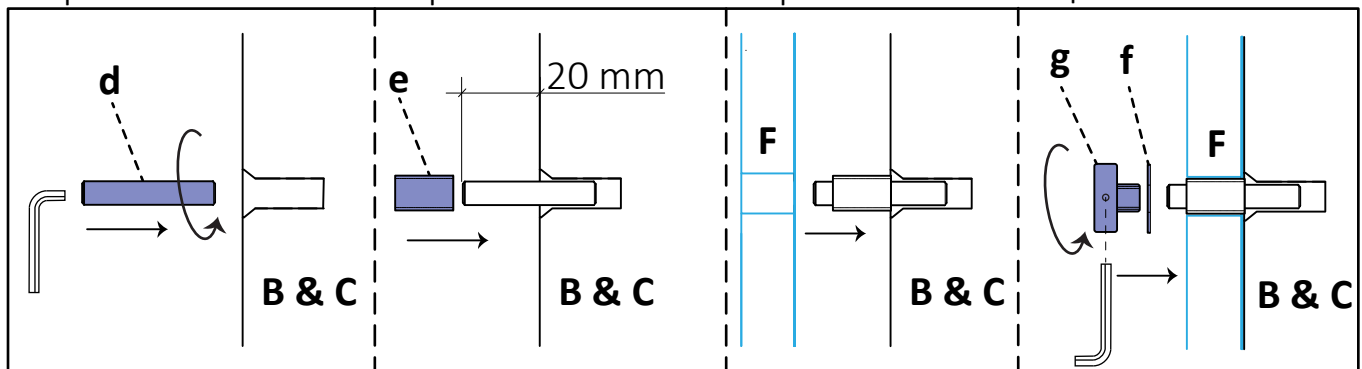
**Step 4.** Use parts “f” and “g” and a 1,5mm allen key to attach the Rear glass (F) on the Chatbox

Step 1.

Step 2.

Step 3.

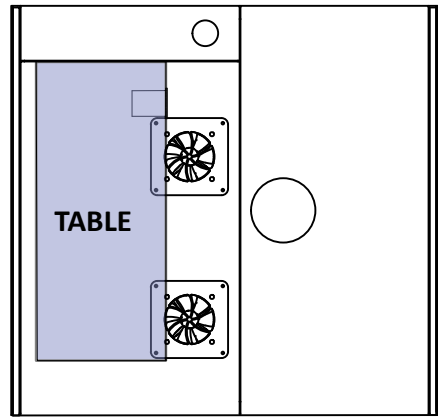
Step 4.



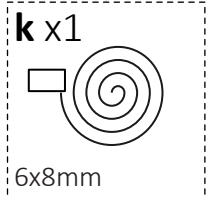
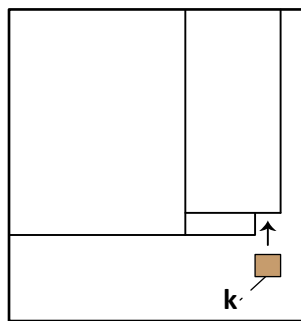
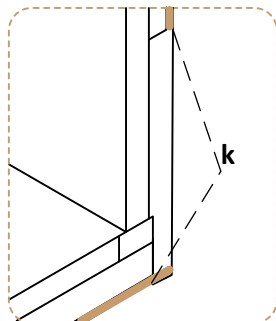
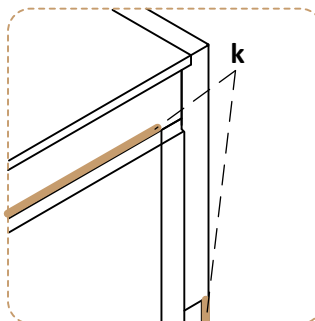
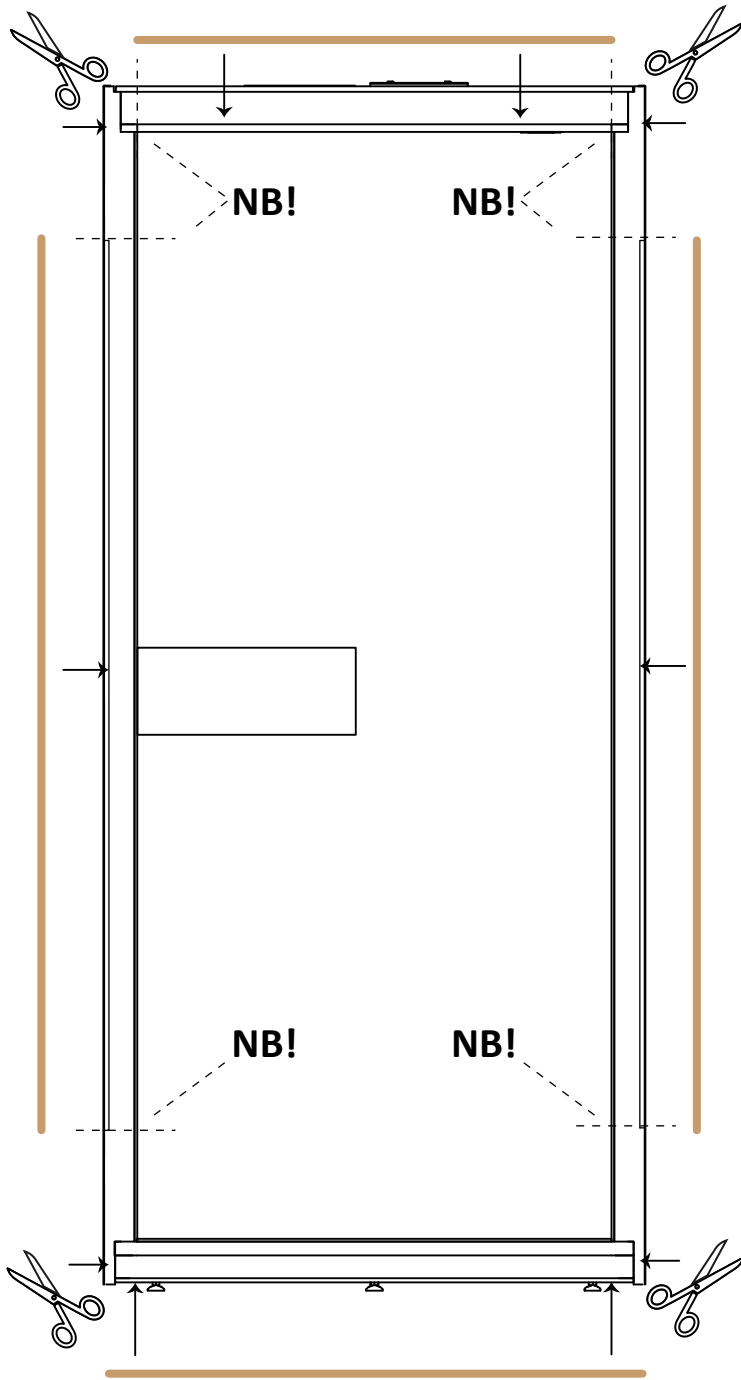
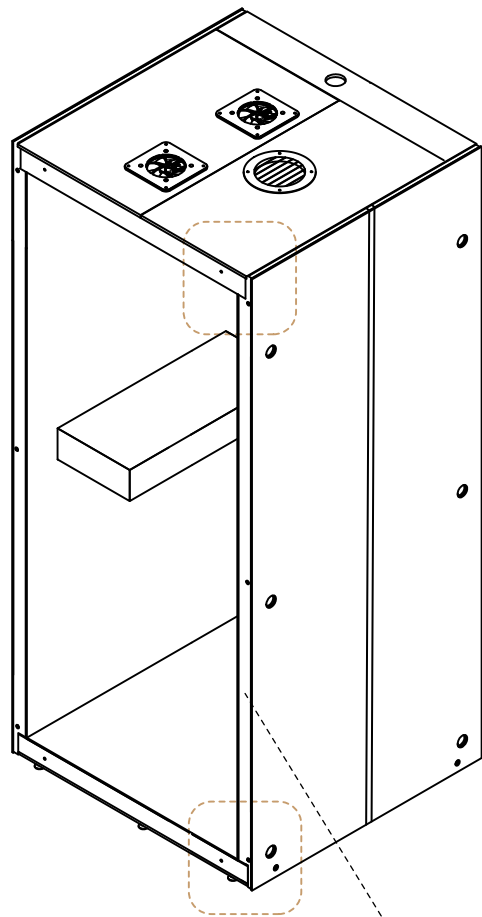
# 7L. Gasket Assembly

Note! Table on Left side

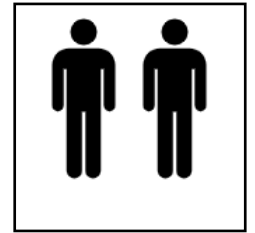
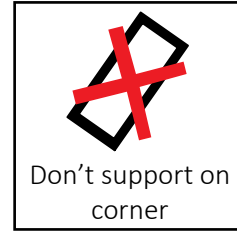
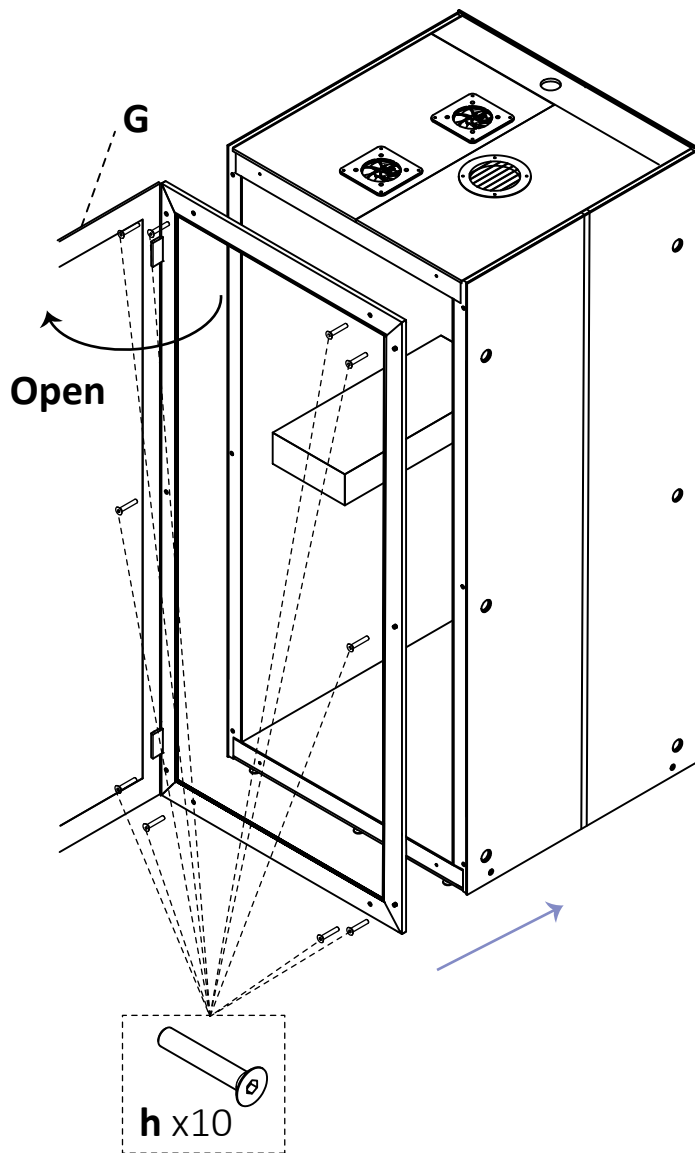
**BACK**



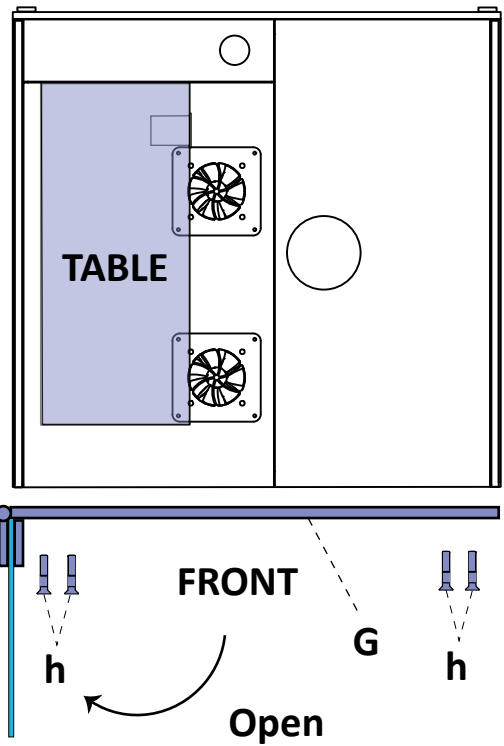
**FRONT**



# 8L. Left Handed Door Frame Assembly

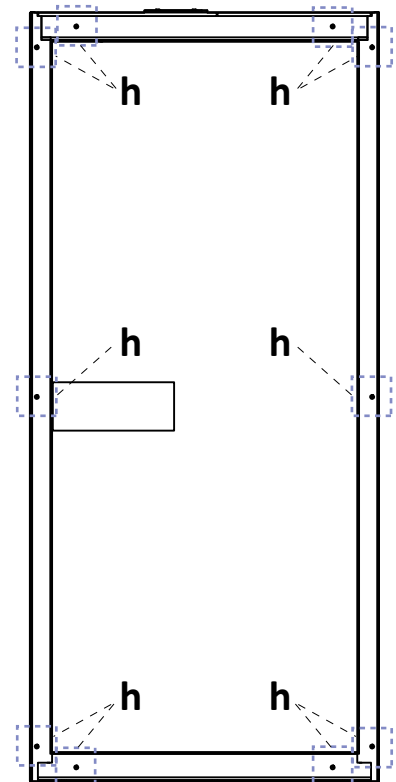
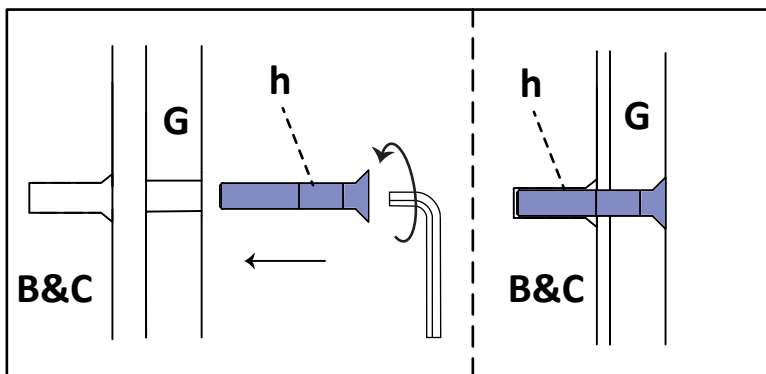


Note! Table on Left side  
**BACK**

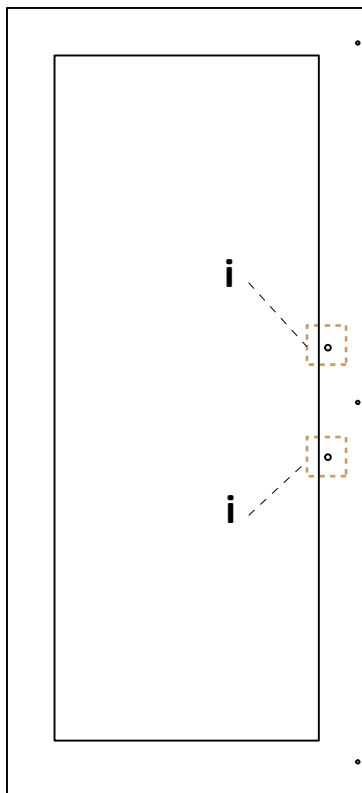
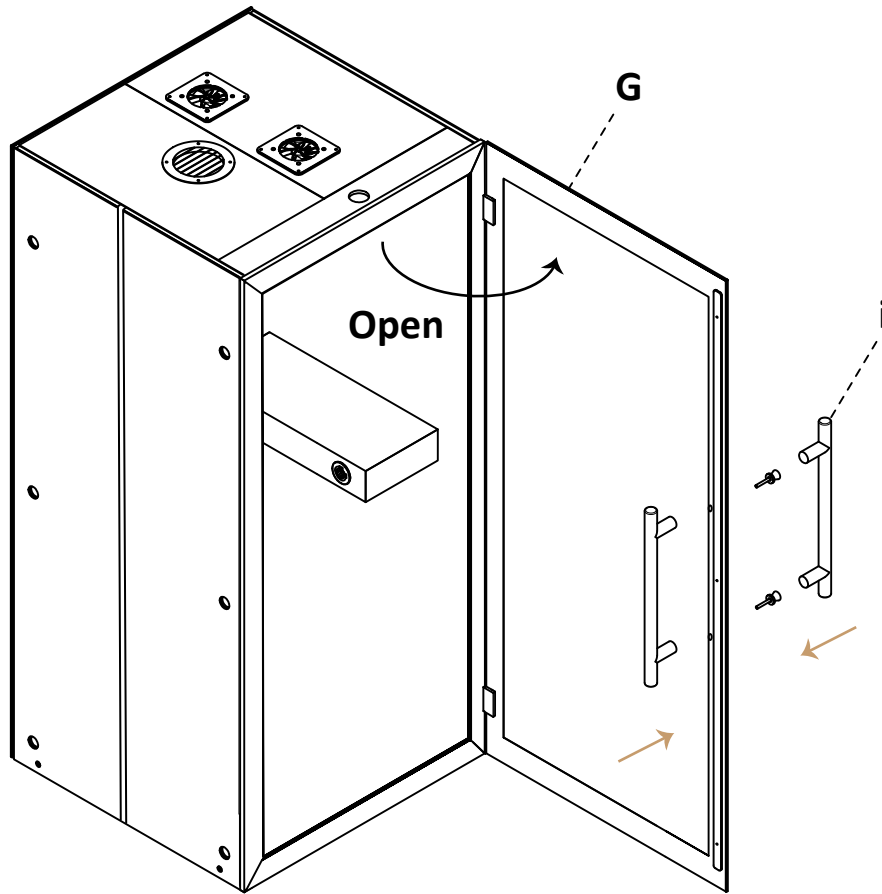


Use a 4mm allen key to drive in screws "h" to attach the Door frame (G) to the Chatbox

Note! Door must be in "open" position and supported from bottom edge for assembly.

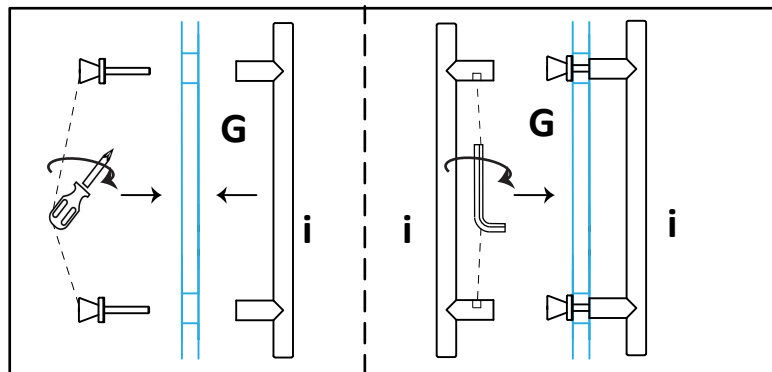
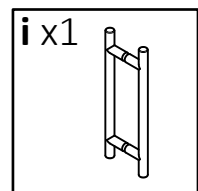


## 9. Door Handle Assembly

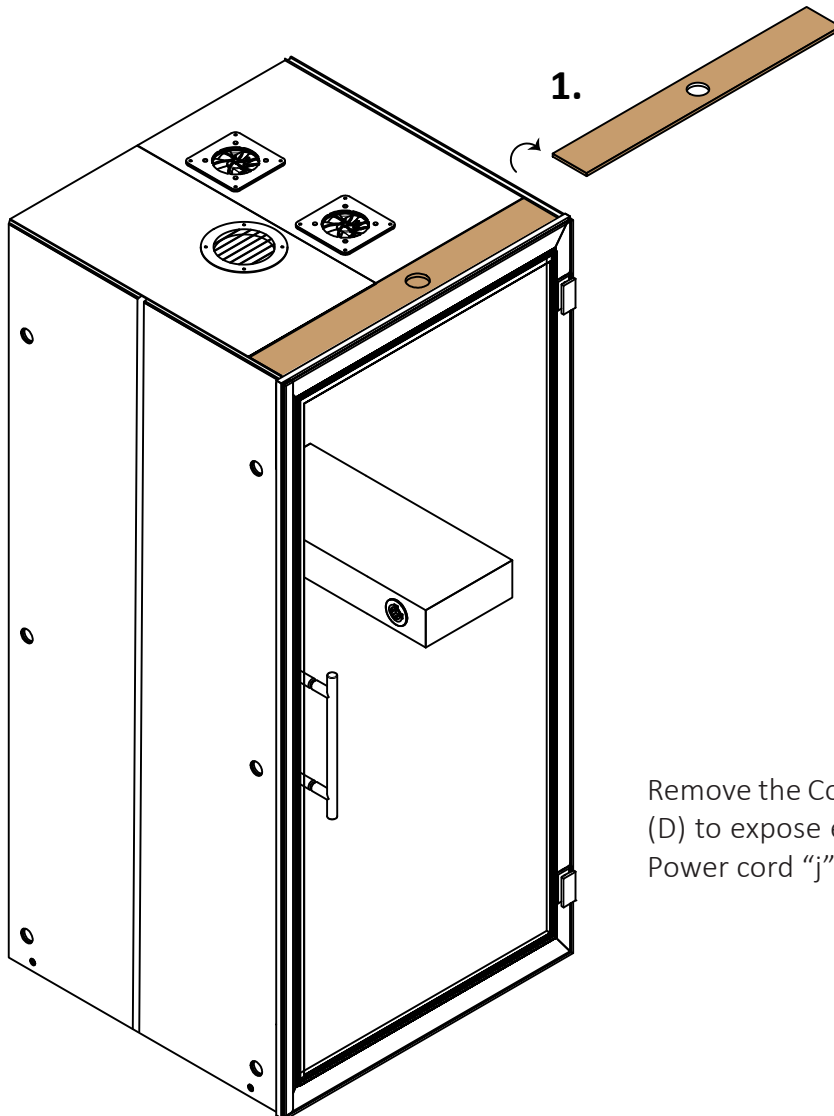


**Step 1.** Place the Door handle “i” on the Door glass (G) and secure it with the provided handle set attachments.



**Step 2.** Place the second half of the handle on top of the attachments and secure the bolts with an allen key.

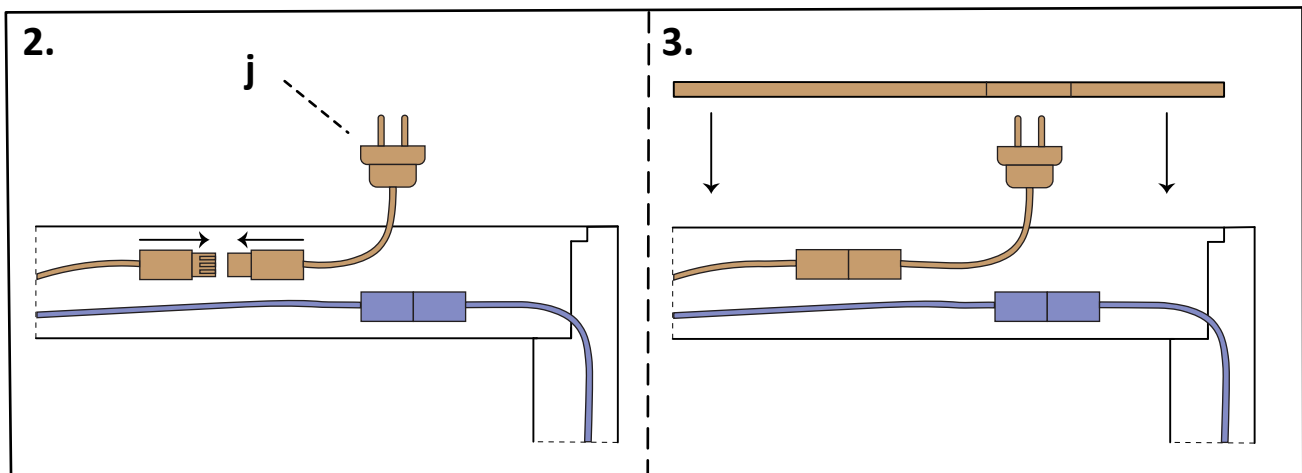
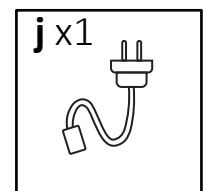


## 10. Connecting the electrical fittings

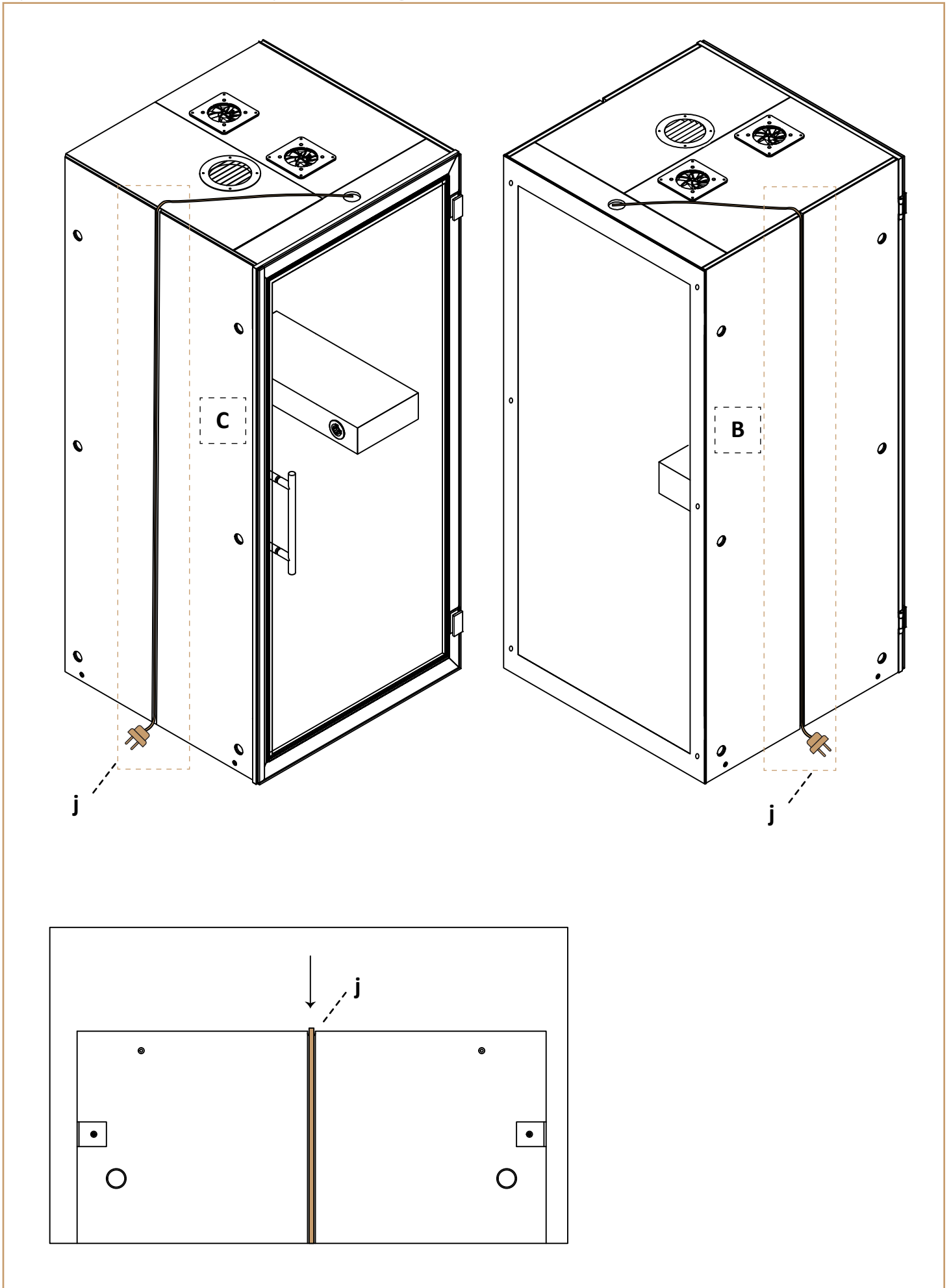


Remove the Cover plate from Ceiling module (D) to expose electrical fittings. Connect the Power cord "j" and return Cover plate.

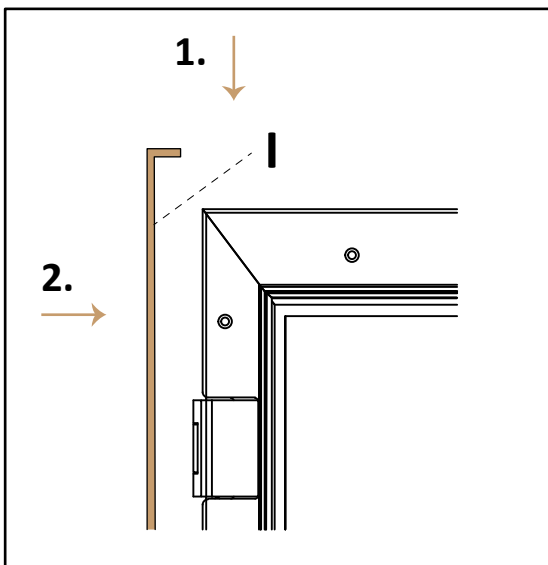
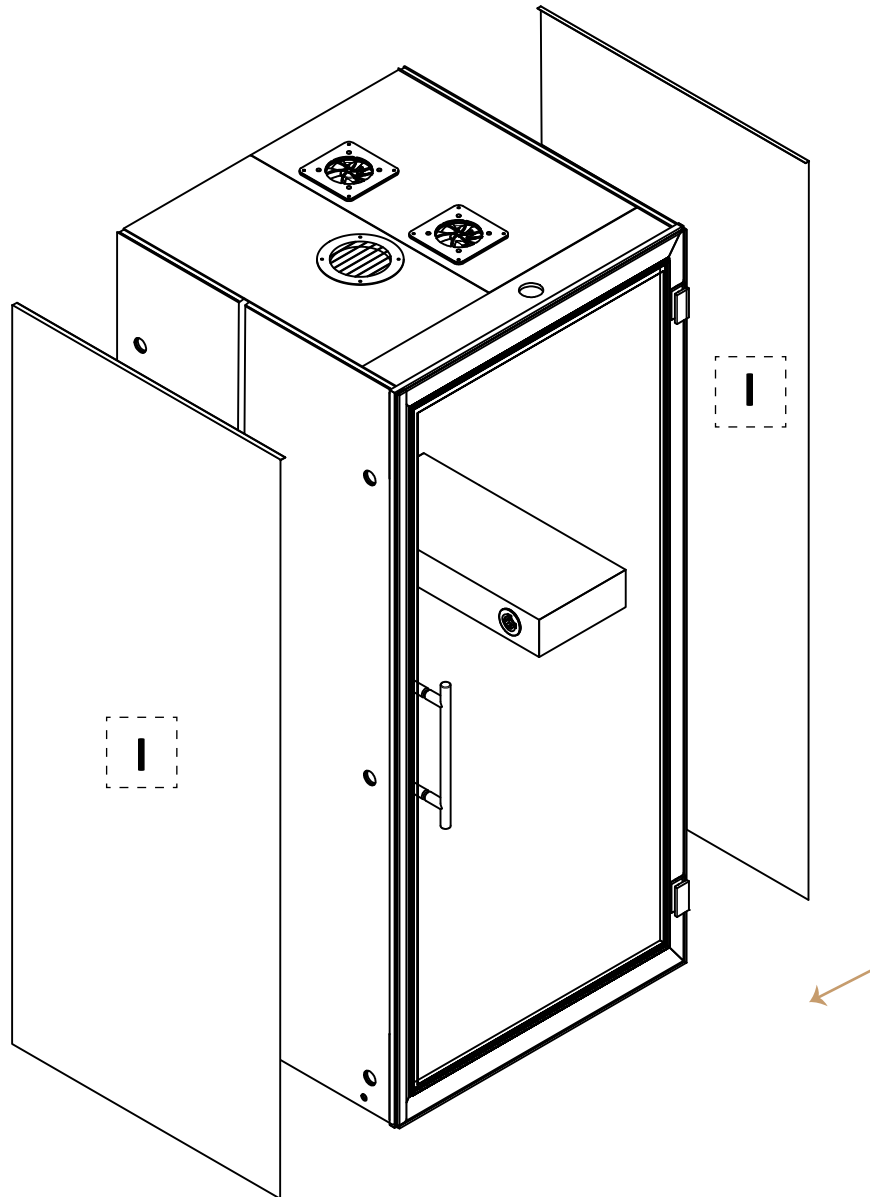
-  - Powercord connection
-  - Side panel (table socket) connection



Optional. Power cord positioning



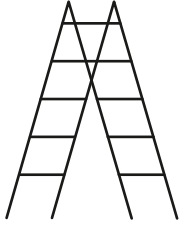
## 11. Covering plate Assembly



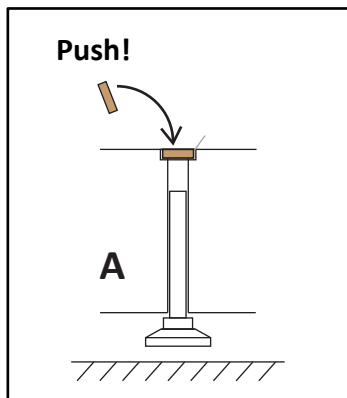
Attach the Covering plates (I) by placing them first on top of the Chatbox and then slowly let the magnets pull the side panel to it's place.

## 12. Cleaning

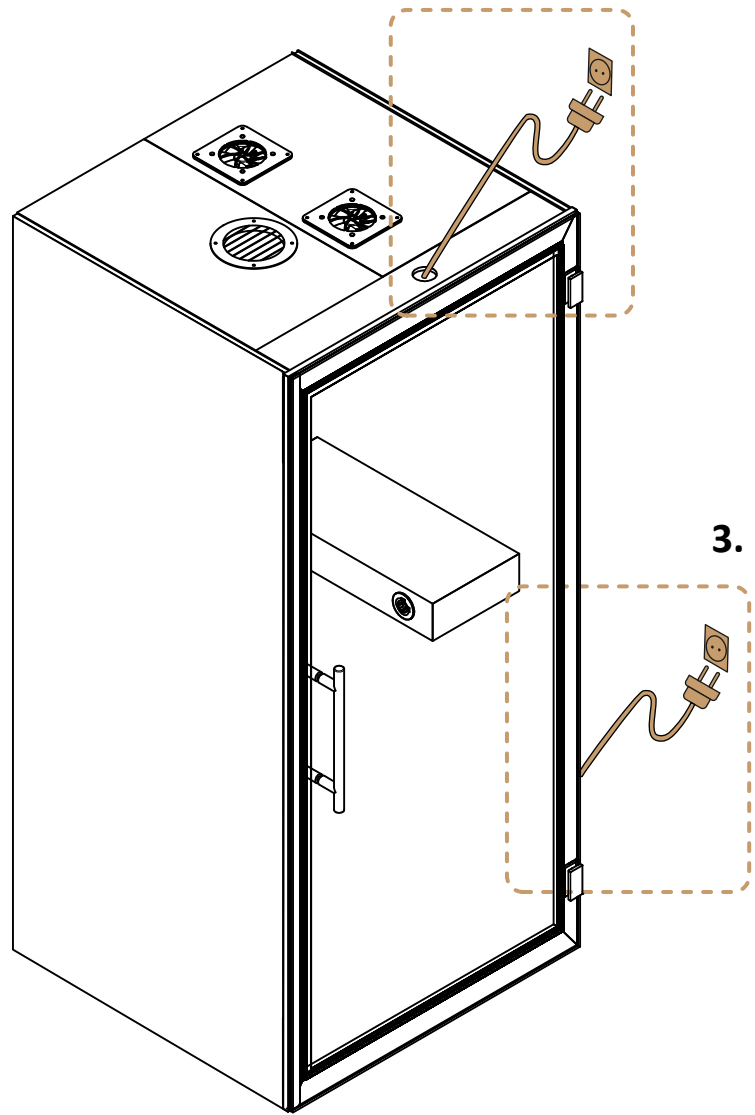
1.



2.

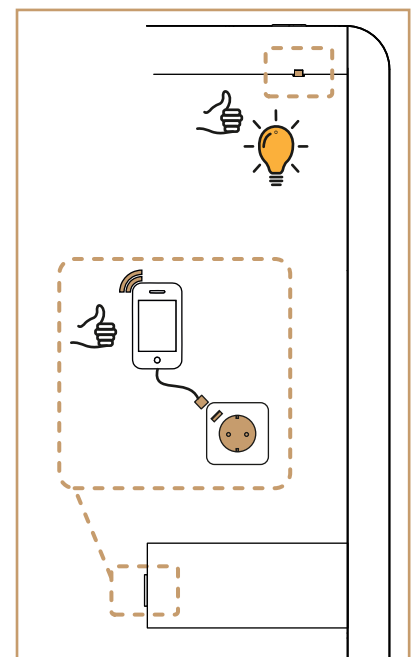


3.



3.

4.



**Step 1.** Clean all the interior and exterior surfaces.  
*Note! Cleaning must be done before connecting the Chatbox to general power supply.*

**Step 2.** Push the carpet plugs back to marked positions (page 3). *Note! Press hard until plugs are not visible anymore!*

**Step 2.** Connect the Chatbox to general power supply.

**Step 3.** Make sure LED lights and power socket are functioning properly and your product is ready for use.

**Thank you for choosing Chatbox by SILEN.**