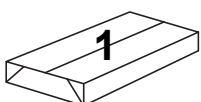


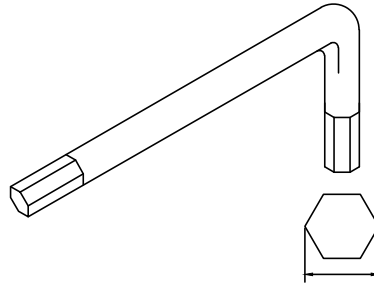
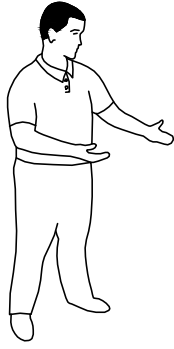
Flexi Tables



Assembly Instructions

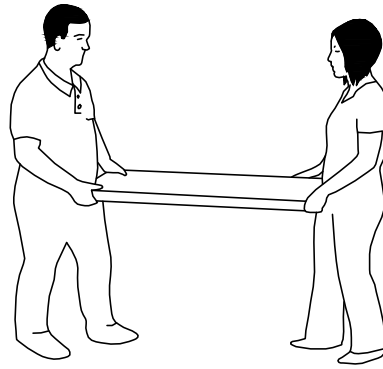
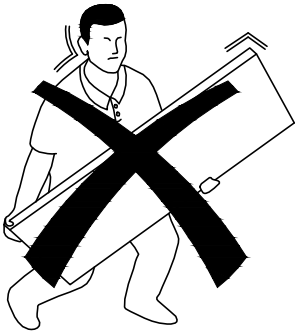


**TOOLS REQUIRED
FOR ASSEMBLY**

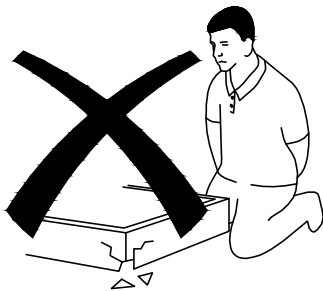


M6 & M8 Allen key provided

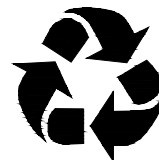
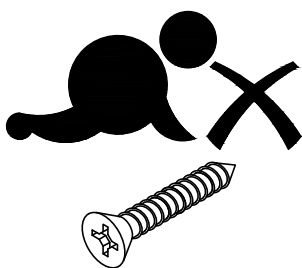
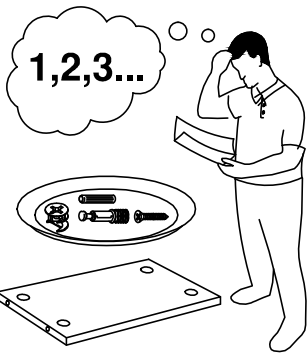
**DONT STRUGGLE
2 MAN LIFT**



**ALWAYS HANDLE
ITEMS WITH CARE**

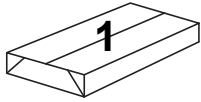


**IF UNSURE CALL
FOR ASSISTANCE**

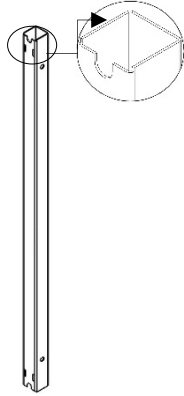




Please check that you have all the components



**A: FRAME
LARGE
SIDE
2PCS**



**B: FRAME
SMALL
SIDE
2PCS**



**C: LEGS
4PCS**



**D: BRACKET
4PCS**



**E: M6x40 HEX HEAD BOLT
10PCS**



**F: M8x65 HEX HEAD BOLT
4PCS**



**G: M8 SPRING WASHER
4PCS**



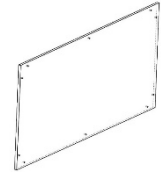
**H: DOWEL
10PCS**



**I: M6 ALLEN KEY
1PCS**



**J: M8 ALLEN KEY
1PCS**

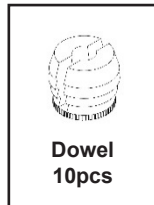


**K: TABLE TOP
1PCS**

1

Step 1

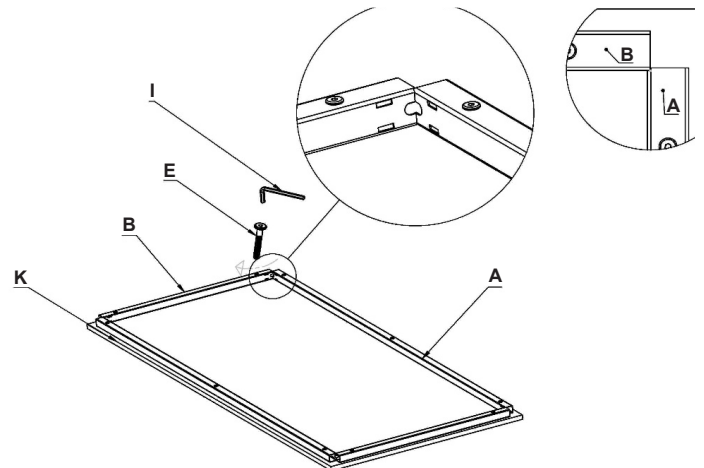
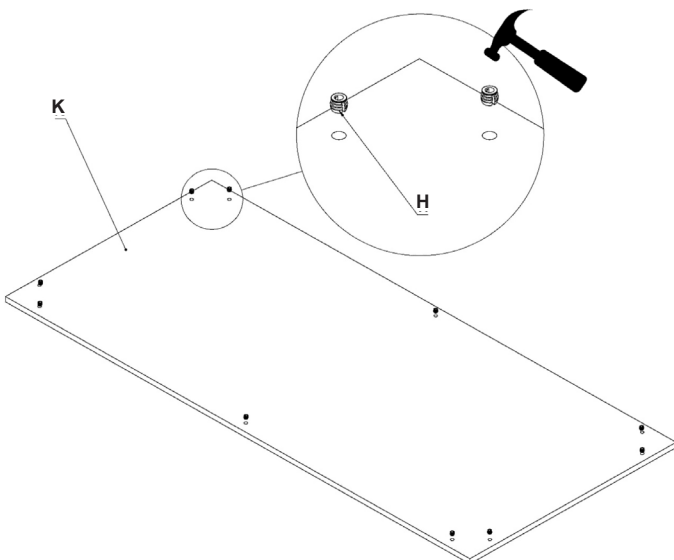
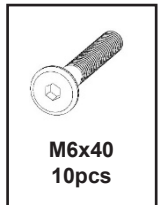
Lay the table top on a flat surface with the holes pointing upwards. Insert the plastic dowels (H) into the table top (K) using a hammer or rubber mallet



2

Step 2

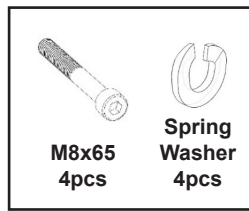
Loosely attach the frame large side (A) and the frame small side (B) to the table top using the M6x40 bolt (E)



3

Step 3

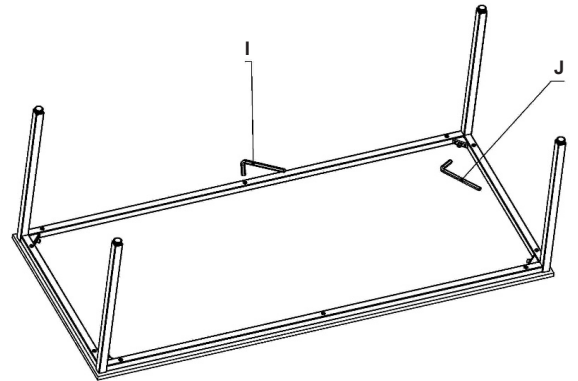
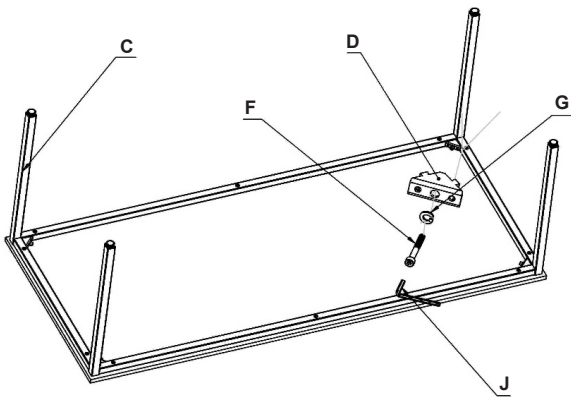
Locate the corner brackets (**D**) into the 4 slot cut-outs in the frame. Fix the legs (**C**) in place using the M8x65 bolts (**F**) and the spring washers (**G**)



4

Step 4

Once all legs are in place, tighten all bolts using the allen keys provided



5

Step 5

When all bolts are secure, rotate the table to its upright position and move into place. Adjust feet as necessary

Recommended two person lift

