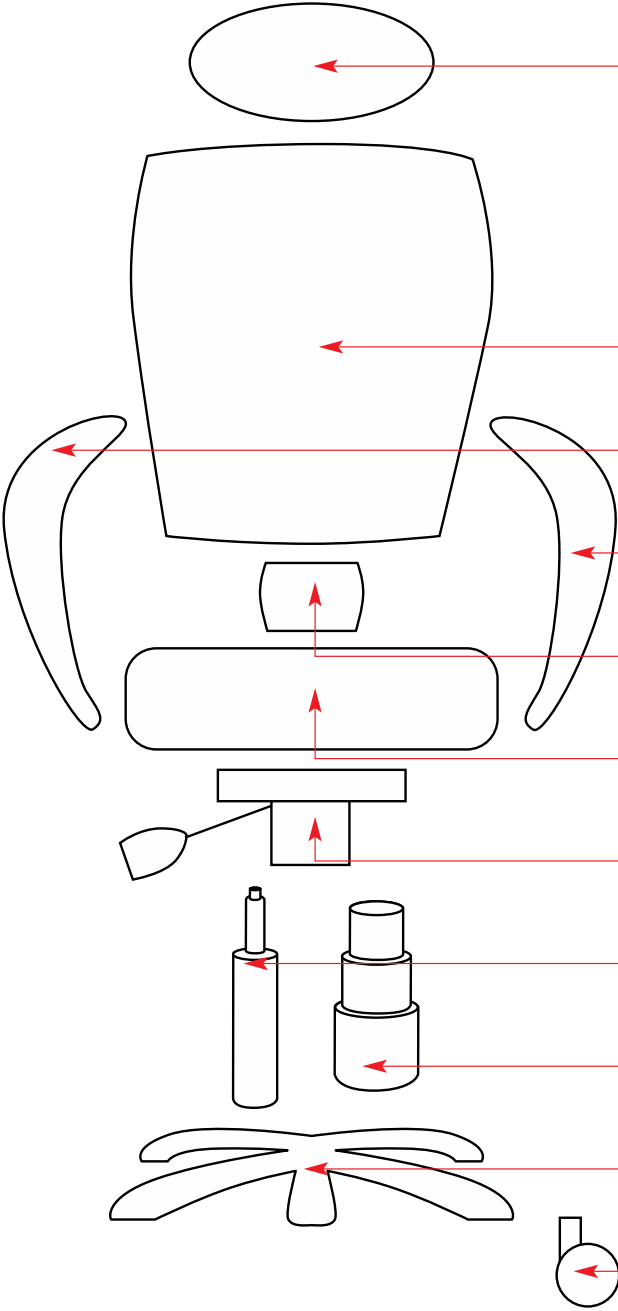
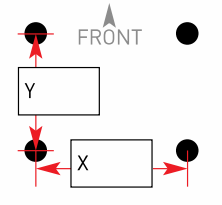


PRODUCT	FLIP EXECUTIVE	6962
---------	----------------	------



HEADREST	N/A
BACKREST	Z120
ARM <i>RH when seated</i>	Z120ARM-L
ARM <i>LH when seated</i>	Z120ARM-R
BACK BRACKET/MECH	N/A
SEAT	Z120S-EXEC
MECHANISM	Z120M
GAS LIFT	Z133
TELESCOPE	N/A
FIVE STAR BASE	Z120BASE
CASTORS	Z03

MECHANISM  
SCREW DIMENSIONS  
IN CM



FIXINGS
---------

UNIQUE PARTS
--------------

NOTES
-------