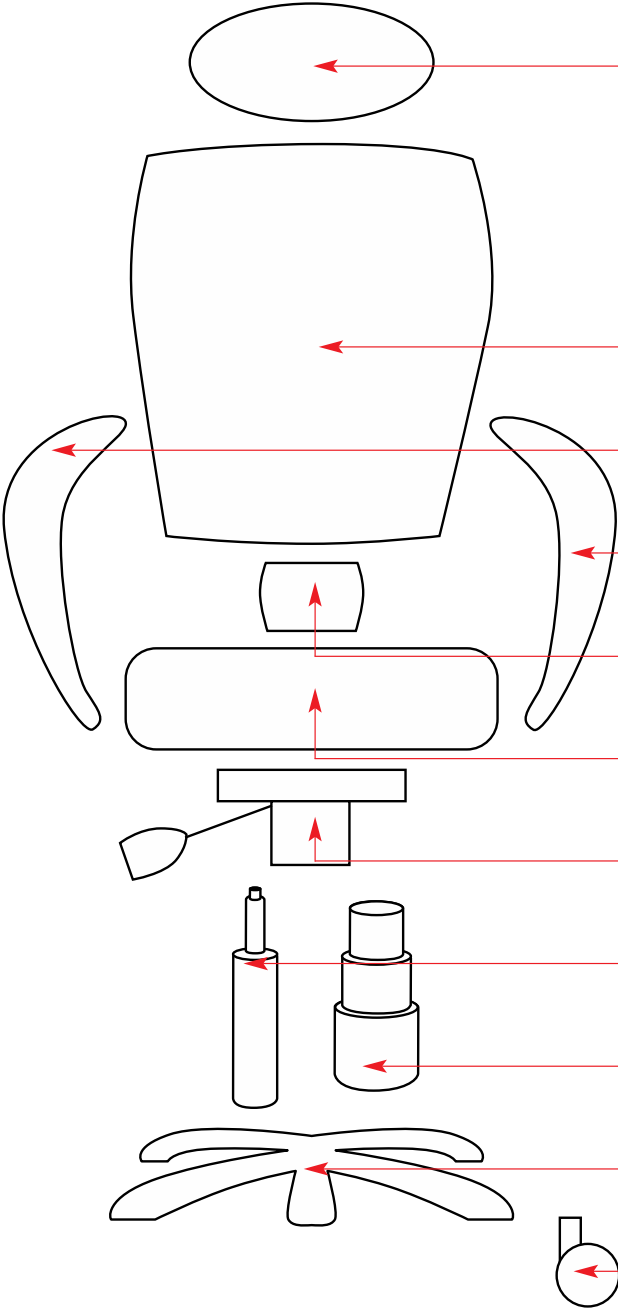


PRODUCT	HARMONY	6956
---------	---------	------



HEADREST	Z1HR
----------	------

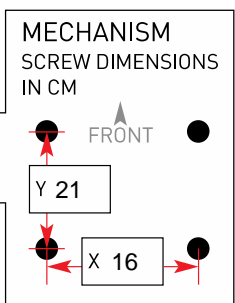
BACKREST	Z312B
----------	-------

ARM <small>RH when seated</small>	Z1A (pair of arms)
-----------------------------------	--------------------

ARM <small>LH when seated</small>	Z1A (pair of arms)
-----------------------------------	--------------------

BACK BRACKET/MECH	N/A
-------------------	-----

SEAT	Z261S
------	-------



MECHANISM	Z1HM
-----------	------

GAS LIFT	Z23
----------	-----

TELESCOPE	N/A
-----------	-----

FIVE STAR BASE	Z078BS
----------------	--------

CASTORS	Z03
---------	-----

FIXINGS	M6*25 x2, M8*20 x4, M8*25 x4, Allen key
---------	---

UNIQUE PARTS	
--------------	--

NOTES	
-------	--