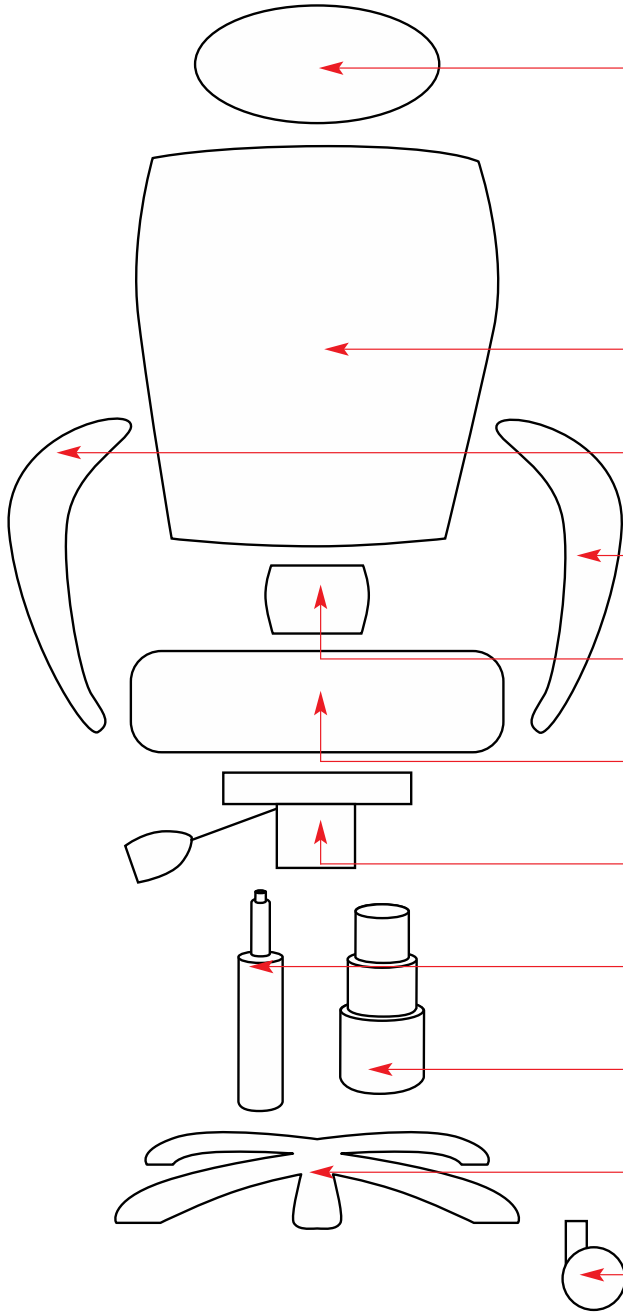


PRODUCT	KNIGHTSBRIDGE EXECUTIVE	8513HLW
---------	-------------------------	---------



HEADREST	N/A	
BACKREST	Z072EB	
ARM <i>RH when seated</i>	Z067 (PAIR)	
ARM <i>LH when seated</i>	Z067 (PAIR)	
BACK BRACKET/MECH	N/A	
SEAT	Z072S	MECHANISM SCREW DIMENSIONS IN CM 
MECHANISM	Z7301	
GAS LIFT	Z23 EXEC	
TELESCOPE	Z00	
FIVE STAR BASE	Z52 LIGHT OAK	
CASTORS	Z03	

FIXINGS	x4 (mechanism) M8*22, x4 (back bracket) M6*30, x4 (arms) M6*55, x4 arm caps
---------	---

UNIQUE PARTS	N/A
--------------	-----

NOTES	
-------	--