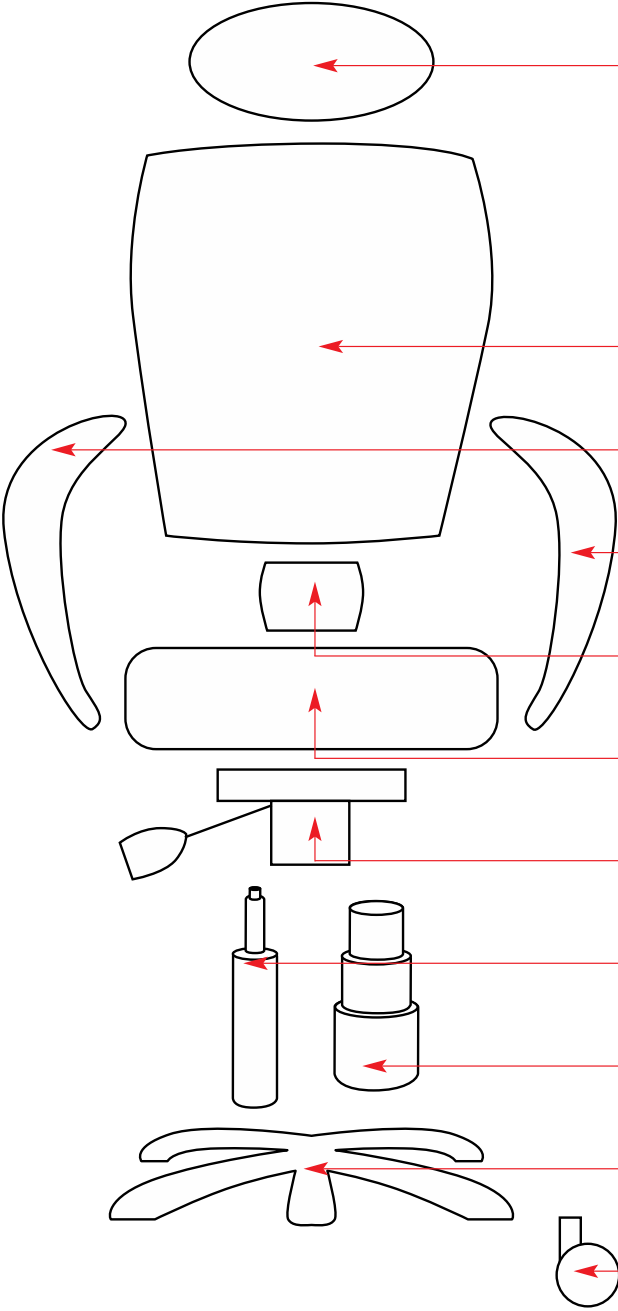


PRODUCT	MISTRAL	O-UK300-LF
---------	---------	------------



HEADREST	N/A	
BACKREST	Z164	
ARM <i>RH when seated</i>	Z163 (PAIR)	
ARM <i>LH when seated</i>	Z163 (PAIR)	
BACK BRACKET/MECH	N/A	
SEAT	Z163	MECHANISM SCREW DIMENSIONS IN CM 
MECHANISM	Z092	
GAS LIFT	Z23 EXEC	
TELESCOPE	Z35	
FIVE STAR BASE	Z47 BLACK NYLON	
CASTORS	Z03	

FIXINGS	x4 M6*36 (arms), x2 M6*30 (arms), x3 M8*22 (back bracket), x4 M8*22 (mechanism)
---------	---

UNIQUE PARTS	
--------------	--

NOTES	
-------	--