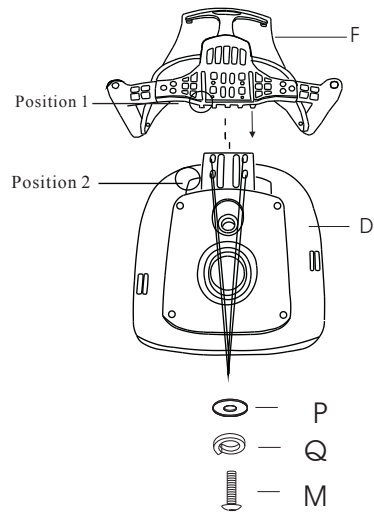


ASSEMBLY INSTRUCTIONS

6964BLK

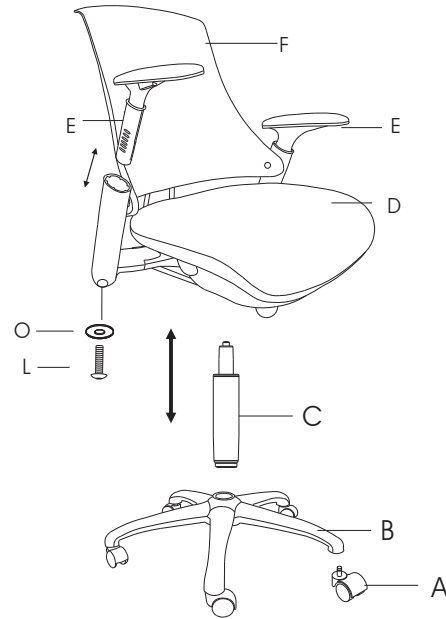
1



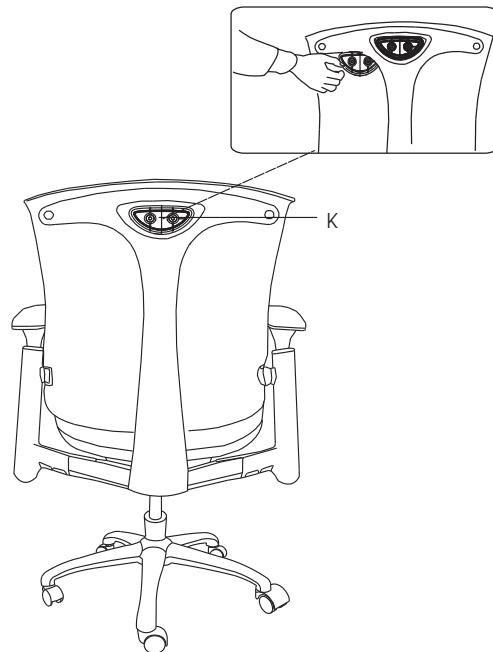
Note:

Push the backrest (F) and seat (D) until position 1 attached to position 2.
Maintain close and tighten the screws.

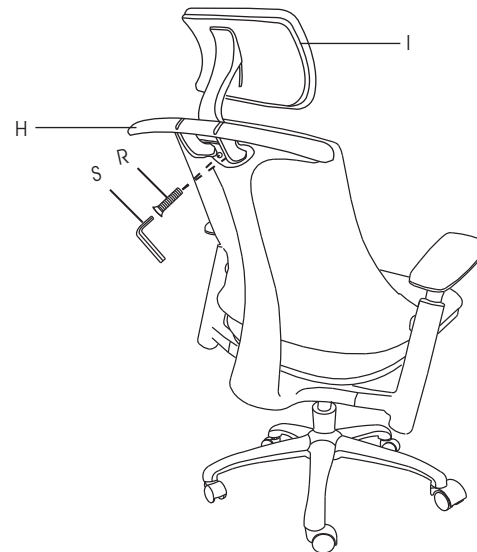
2



3



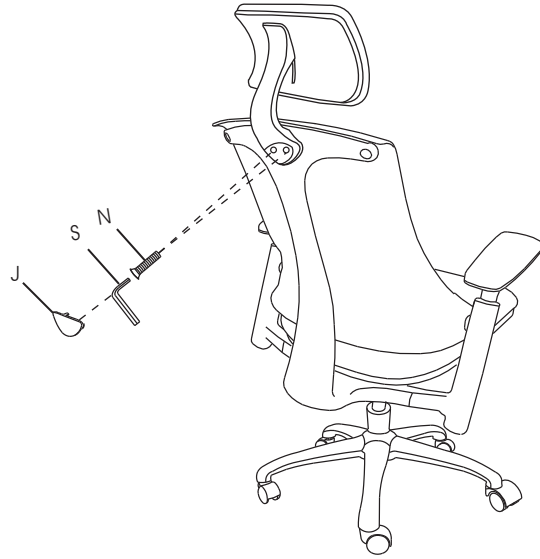
4



ASSEMBLY INSTRUCTIONS

6964BLK

1



2

