

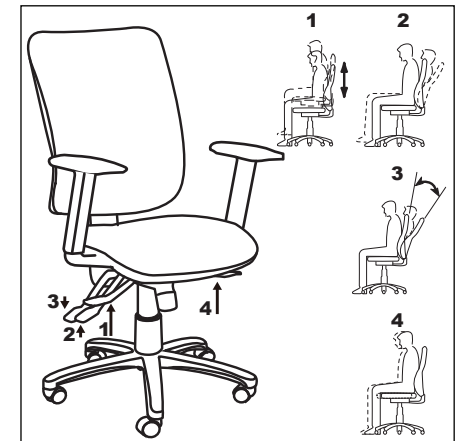
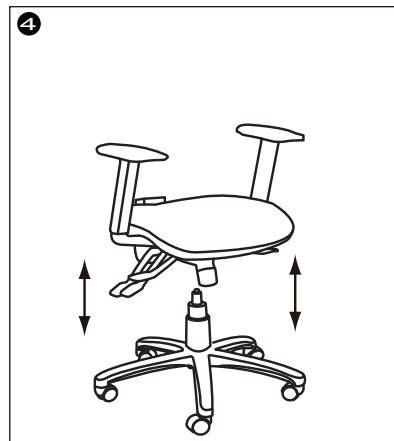
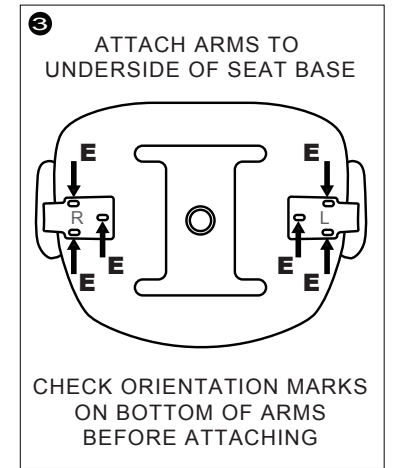
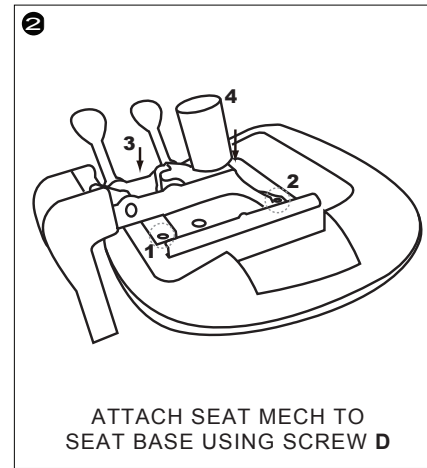
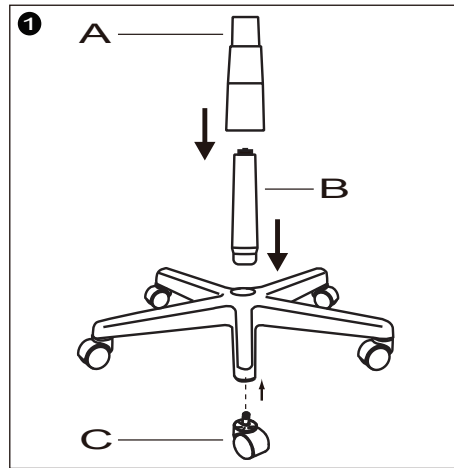
# ASSEMBLY INSTRUCTIONS

PLEASE NOTE THE FIXING SCREWS ARE LOCATED IN THEIR FIXING POSITION REQUIRES 4mm ALLEN KEY TO ASSEMBLE (NOT SUPPLIED)



- A**  
1 X GAS LIFT COVER
- B**  
1 X GAS LIFT
- C**  
5PCS
- D** M6x16  
4PCS
- E** M6x35  
6PCS

Do not tighten bolts fully until you have completed assembly.  
 "Should you require any assistance in assembling your goods please contact customer services on 0151 548 7111 between 9am/4:30pm.



## WARNING

- USE THIS PRODUCT ONLY FOR SEATING ONE PERSON AT A TIME
- DO NOT USE THIS CHAIR UNLESS ALL BOLTS, SCREWS AND HANDWHEELS ARE FIRMLY SECURED
- AT LEAST EVERY 4 MONTHS CHECK ALL BOLTS, SCREWS AND HANDWHEELS TO BE SURE THEY REMAIN TIGHT
- IF PARTS ARE MISSING, BROKEN, DAMAGED OR WORN, STOP USING THE PRODUCT UNTIL REPAIRS ARE MADE USING AUTHORISED PARTS
- FAILURE TO FOLLOW THESE INSTRUCTIONS/WARNINGS COULD RESULT IN SERIOUS INJURY

**dams**  **SENZA ERGO**