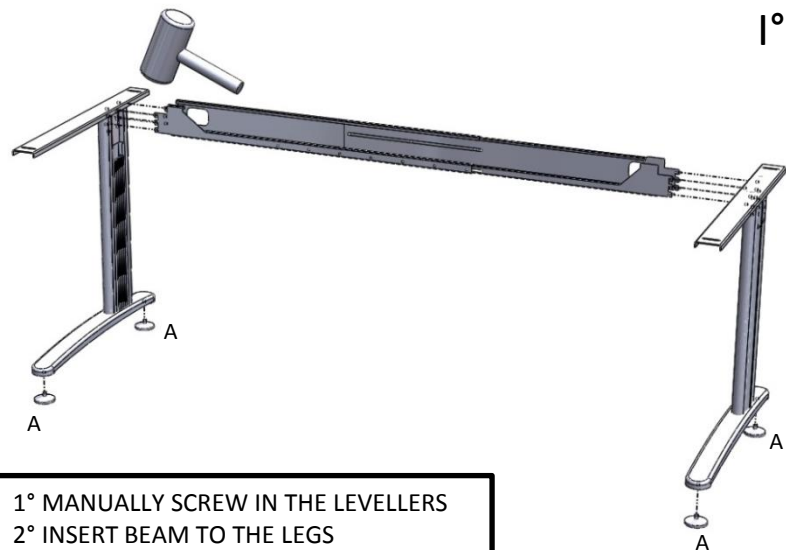
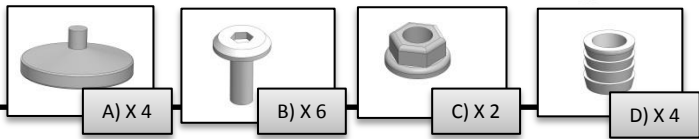
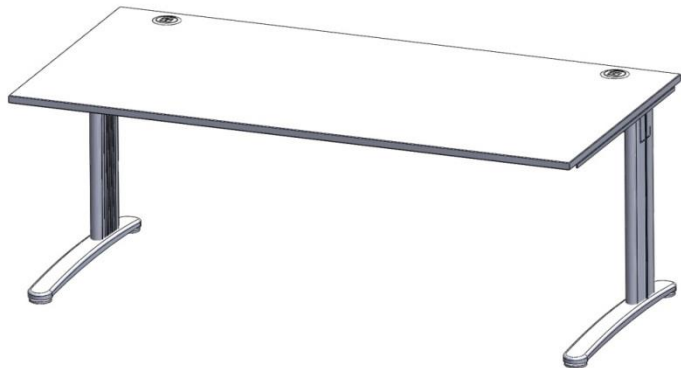
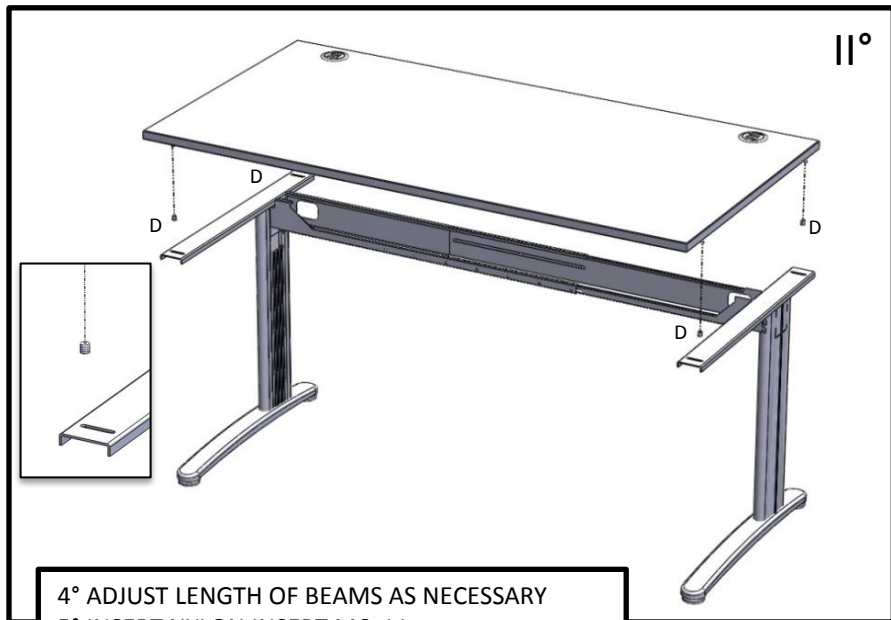


DAMS TR10 TS 600 – TS 800

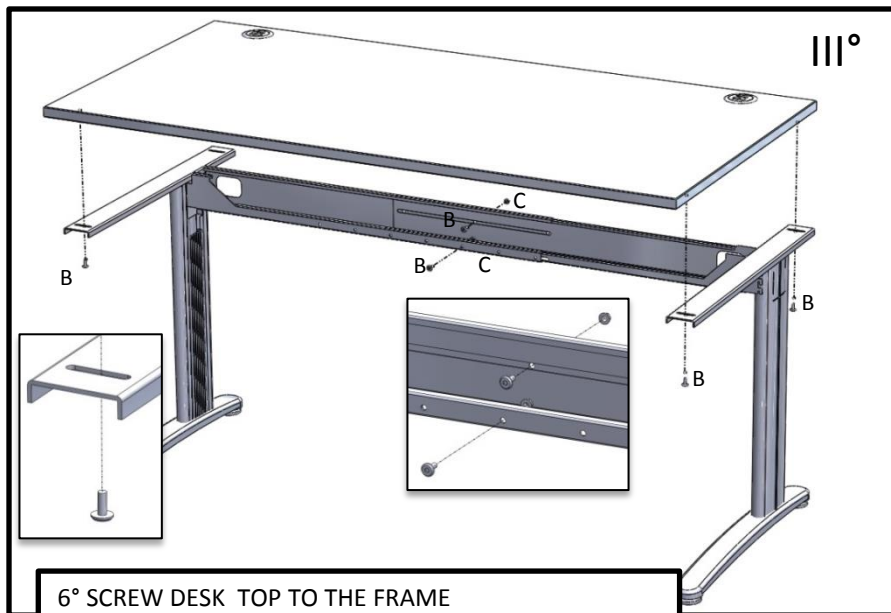
TS800 BOX= 75x75x15cm Kg=12
TS600 BOX = 60x75x15cm Kg. 11



1° MANUALLY SCREW IN THE LEVELLERS
2° INSERT BEAM TO THE LEGS
3° FIX BEAM WITH A RUBBER MALLET



4° ADJUST LENGTH OF BEAMS AS NECESSARY
5° INSERT NYLON INSERT M6x11



6° SCREW DESK TOP TO THE FRAME
7° FIX LENGTH WITH TWO BOLTS AND TWO FLANGE NUTS