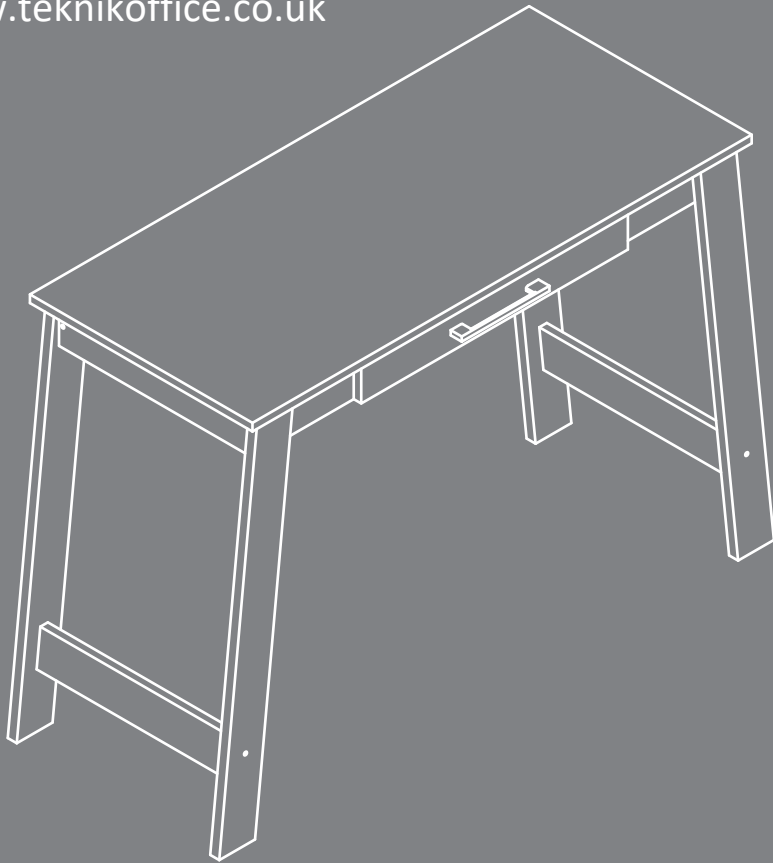


[www.teknikoffice.co.uk](http://www.teknikoffice.co.uk)



**Teknik**

You could totally **write**  
a **novel** on this.

# Trestle Desk

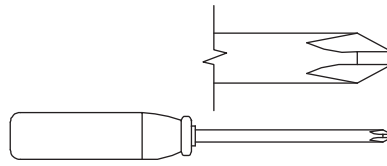
Model 5424259

---

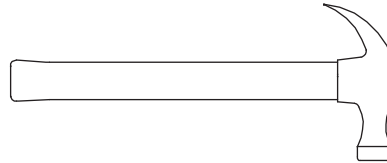
# Table of Contents

# Assembly Tools Required

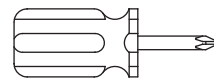
Part Identification	3
Hardware Identification	4
Assembly Steps	5-23
Français	24-26
Español	27-29
Safety	30
Warranty	31



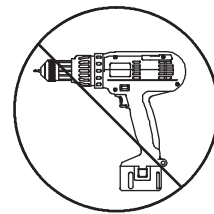
No. 2 Phillips Screwdriver  
Tip Shown Actual Size



Hammer  
Not actual size 😊



Short Screwdriver



Skip the power trip.  
This time.

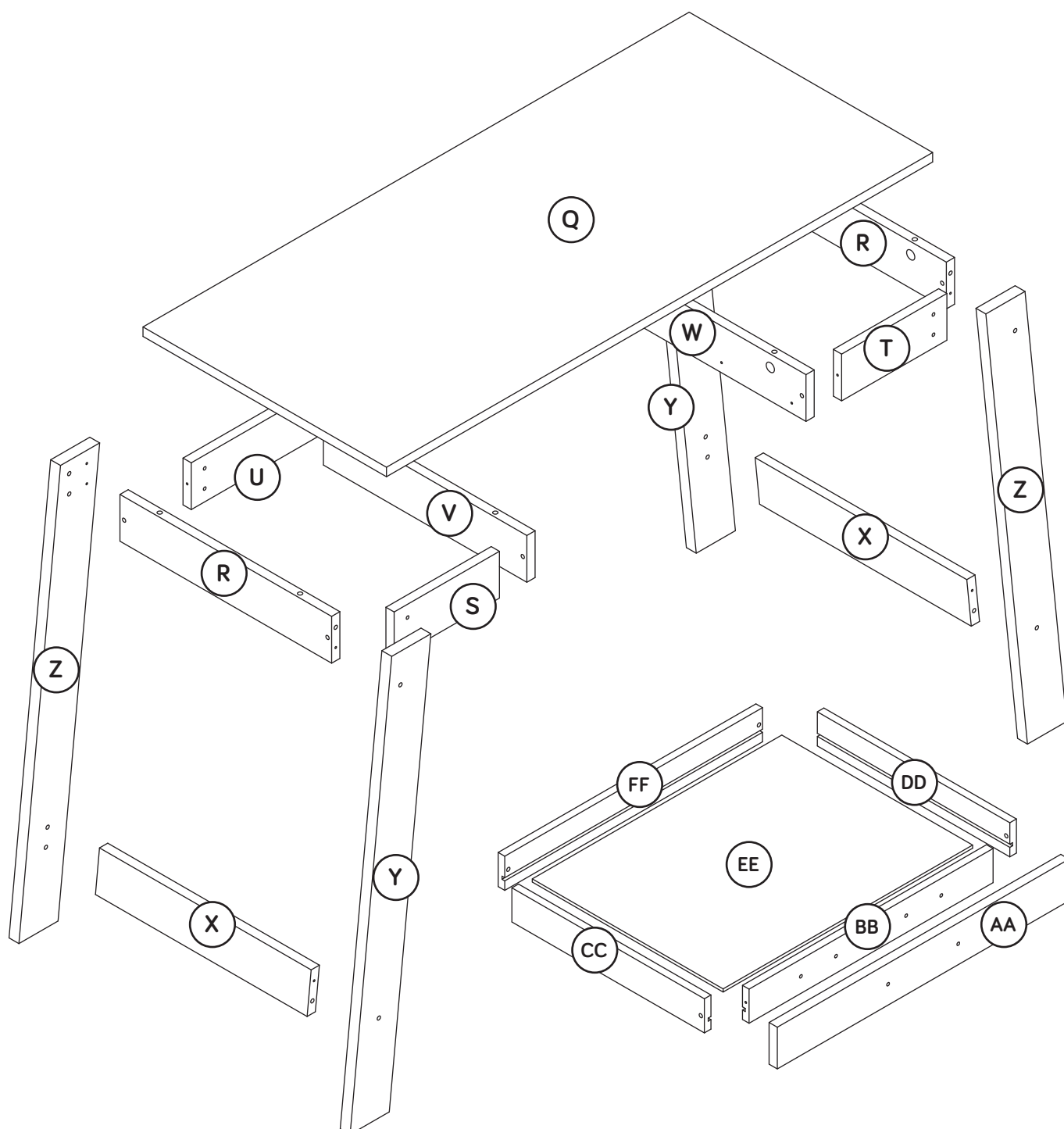
# Part Identification

Now you know  
our ABCs.



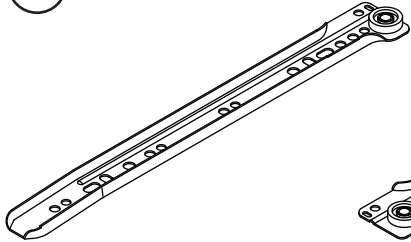
⚡ While not all parts are labeled, some of the parts will have a label or an inked letter on the edge to help distinguish similar parts from each other. Use this part identification to help identify similar parts.

Q	TOP (1)	W	RIGHT UPRIGHT (1)	CC	LEFT DRAWER SIDE (1)
R	END (2)	X	STRETCHER (2)	DD	RIGHT DRAWER SIDE (1)
S	LEFT FRONT (1)	Y	LEFT FRONT/RIGHT REAR LEG (2)	EE	DRAWER BOTTOM (1)
T	RIGHT FRONT (1)	Z	RIGHT FRONT/LEFT REAR LEG (2)	FF	DRAWER BACK (1)
U	BACK (1)	AA	DRAWER FRONT (1)		
V	LEFT UPRIGHT (1)	BB	DRAWER BOX FRONT (1)		

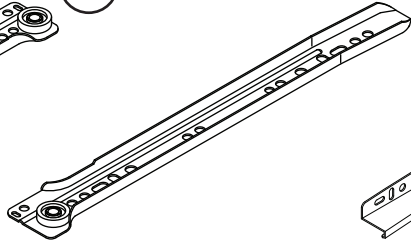


# Hardware Identification

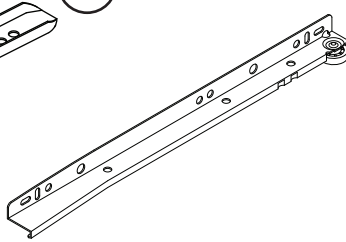
17 CABINET RIGHT - 1



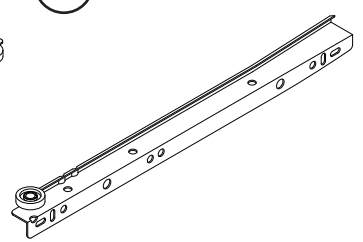
18 CABINET LEFT - 1



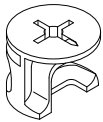
19 DRAWER RIGHT - 1



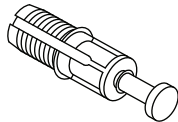
20 DRAWER LEFT - 1



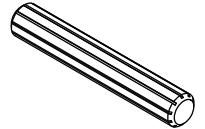
21 HIDDEN CAM - 8



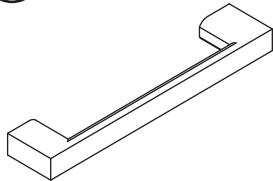
22 CAM DOWEL - 8



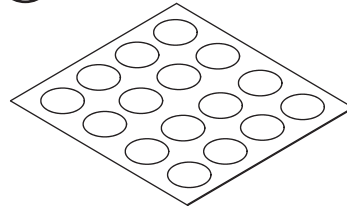
23 WOOD DOWEL - 8



24 PULL - 1



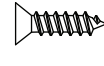
25 APPLIQUE CARD - 1



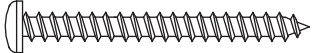
26 GOLD 1-1/2" FLAT HEAD SCREW - 20



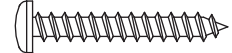
27 GOLD 1/2" FLAT HEAD SCREW - 12



28 SILVER 1-1/2" PAN HEAD SCREW - 2

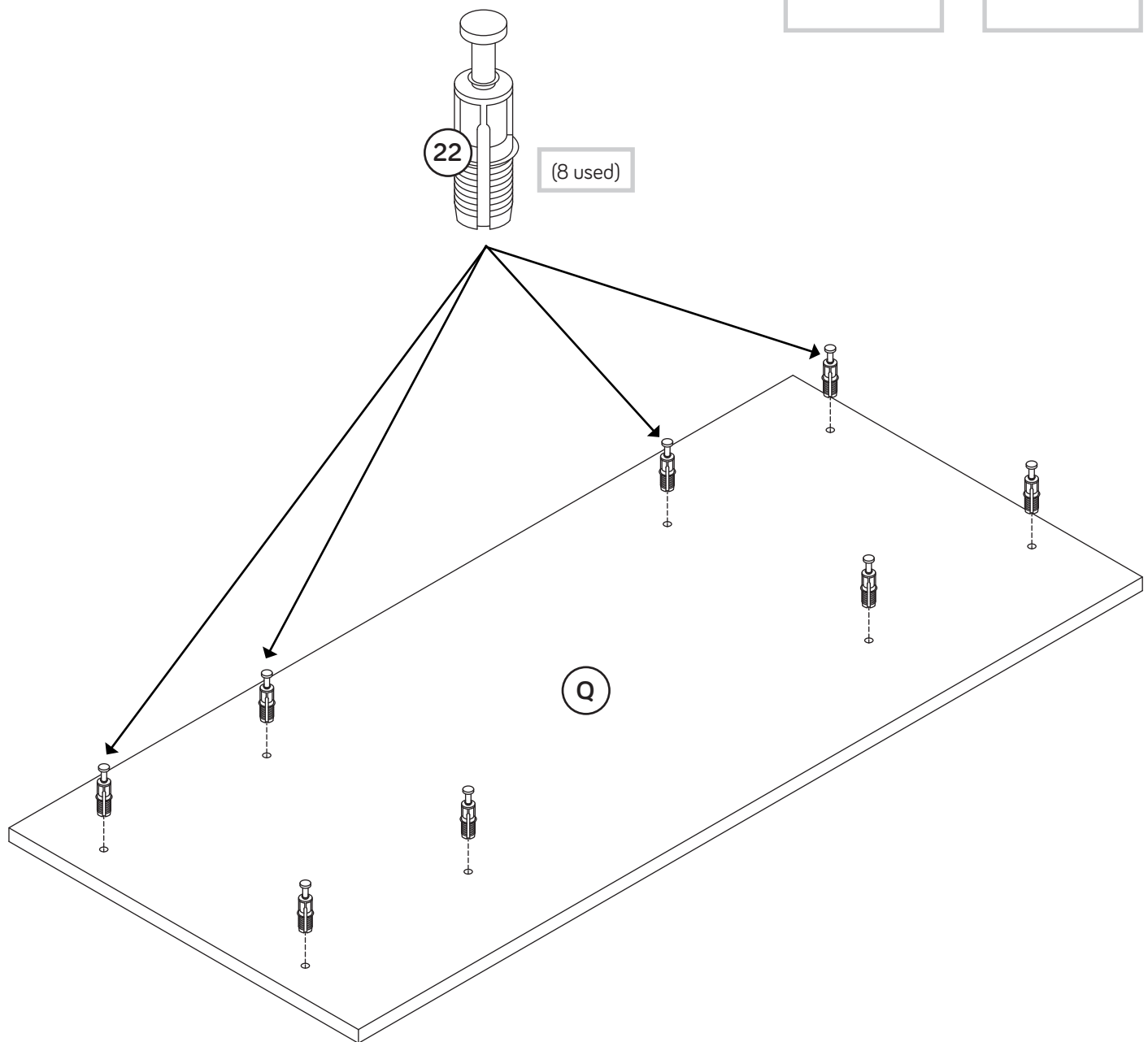
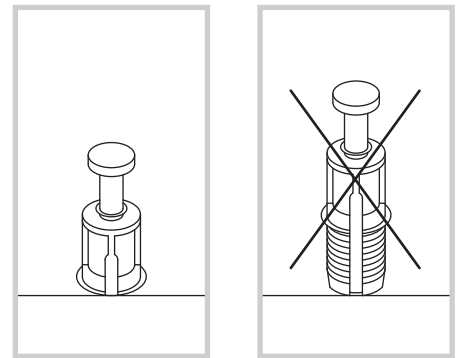


29 SILVER 1" PAN HEAD SCREW - 10



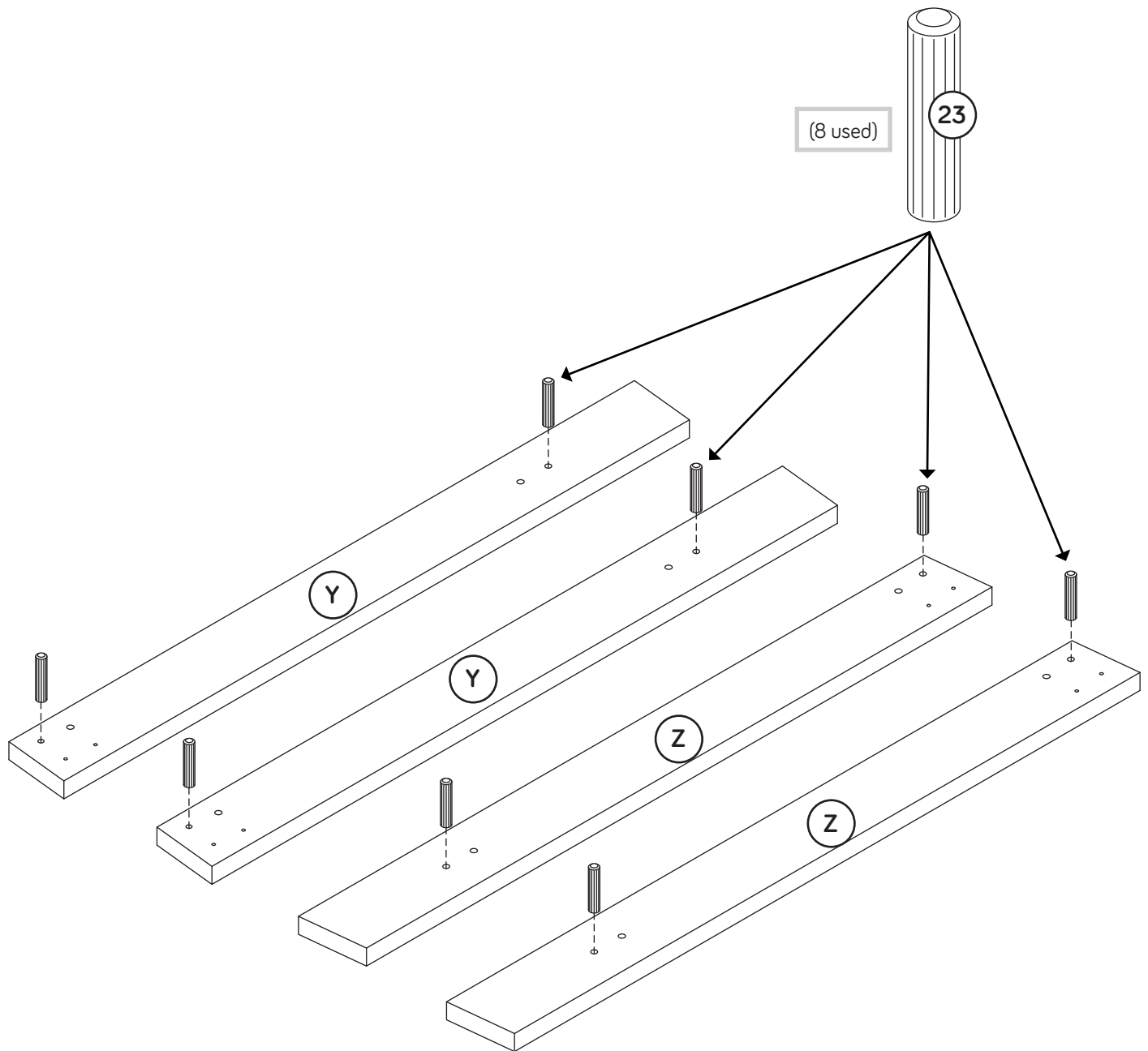
# Step 1

- ✚ Assemble your unit on a carpeted floor or on the empty carton to avoid scratching your unit or the floor.
- ✚ Using a hammer tap eight CAM DOWELS (22) into the TOP (Q).




# Step 2

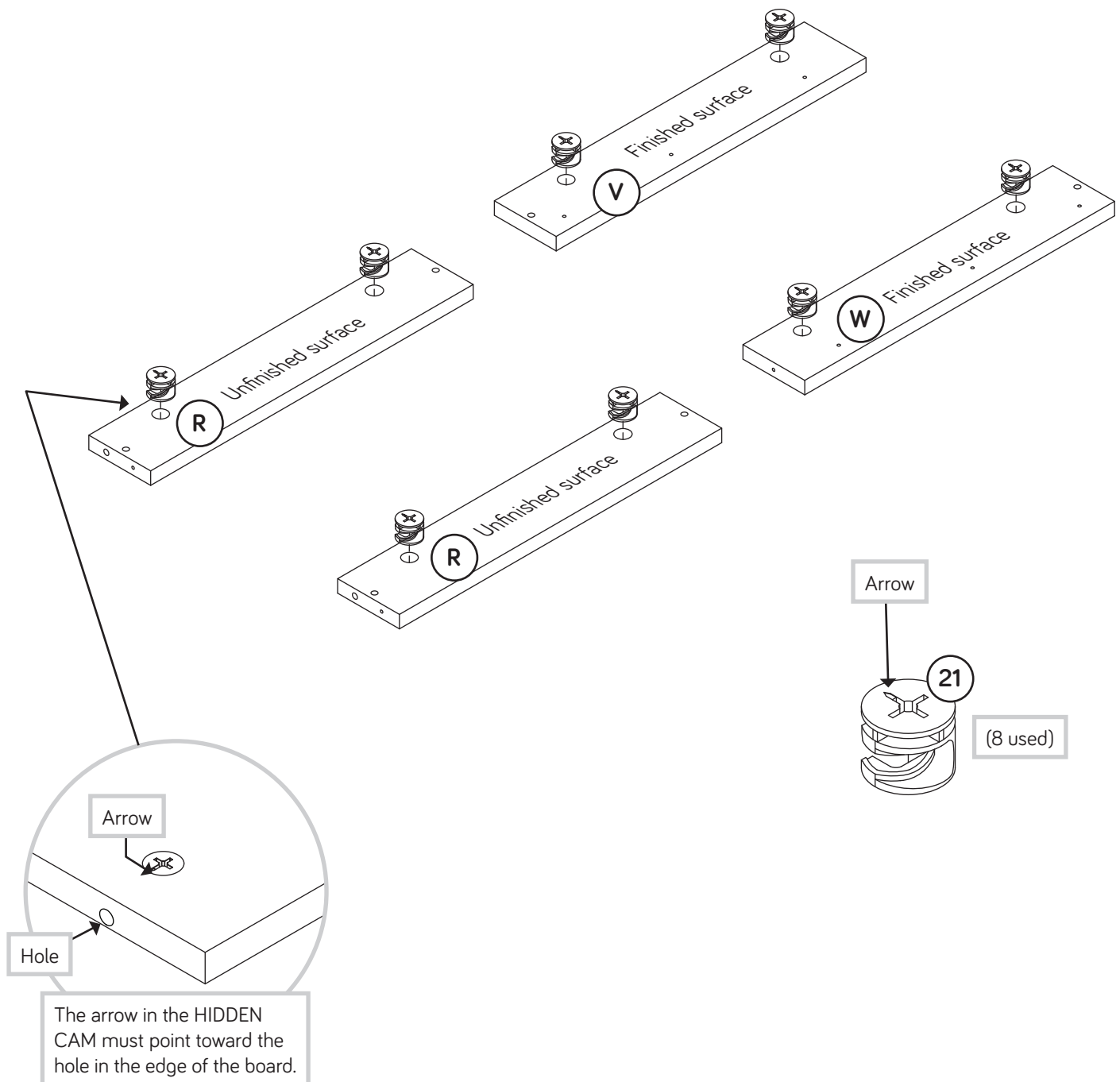
✚ Insert eight WOOD DOWELS (23) to the LEGS (Y and Z).



# Step 3

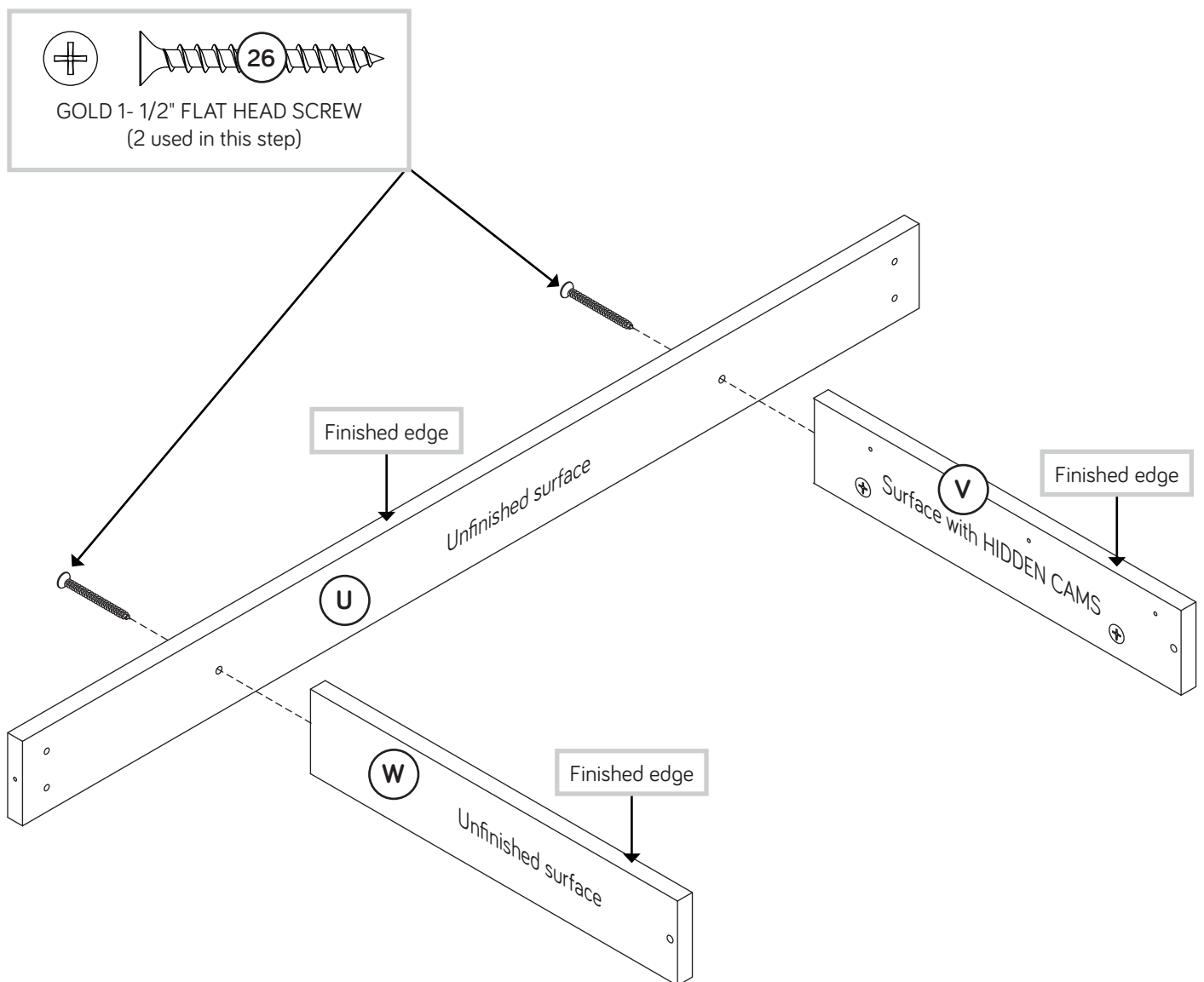
Push eight HIDDEN CAMS (21) into the ENDS (R) and UPRIGHTS (V and W).

 Just think. The sooner you do this, the sooner you do something else.



# Step 4

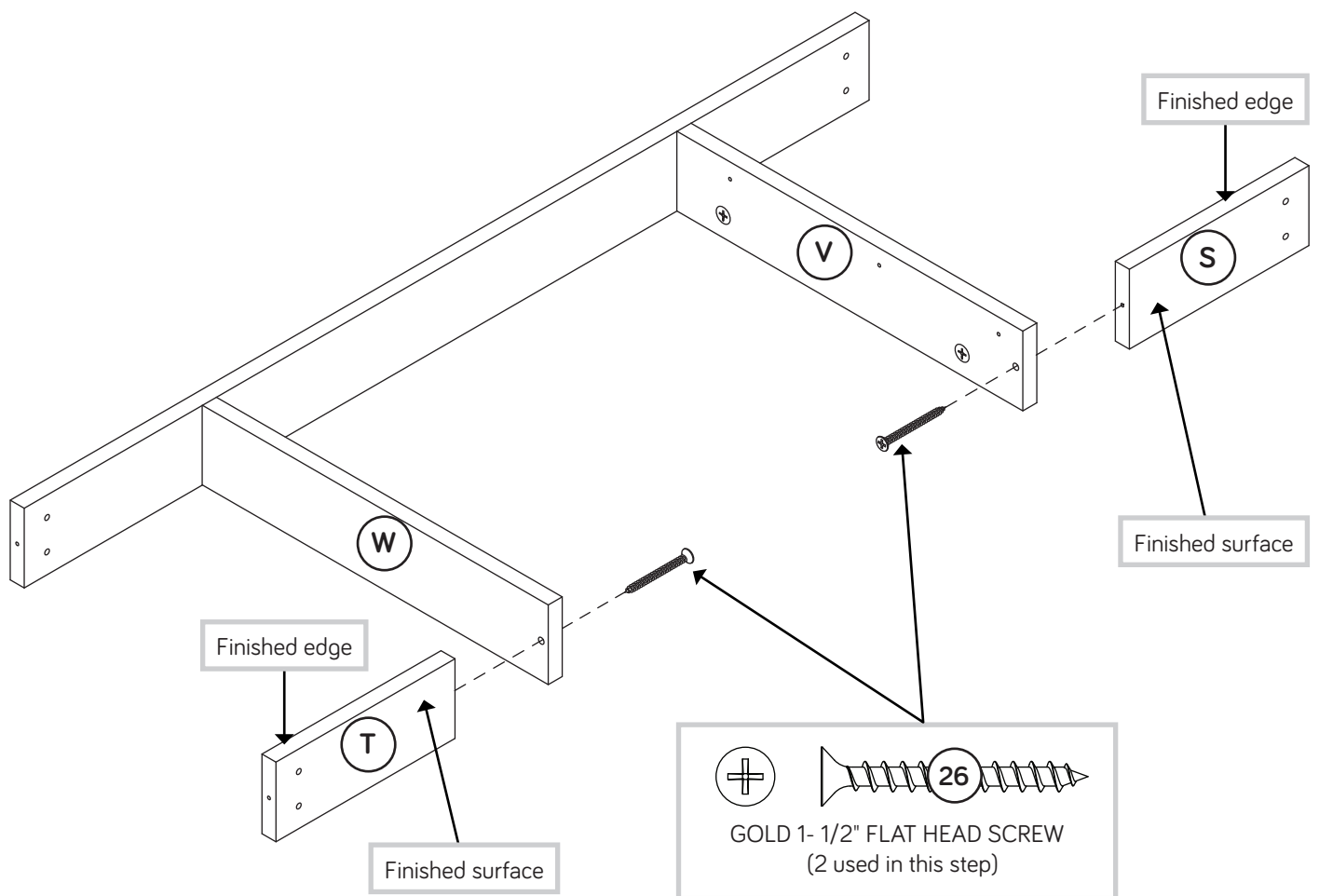
Fasten the UPRIGHTS (V and W) to the BACK (U). Use two GOLD 1-1/2" FLAT HEAD SCREWS (26).





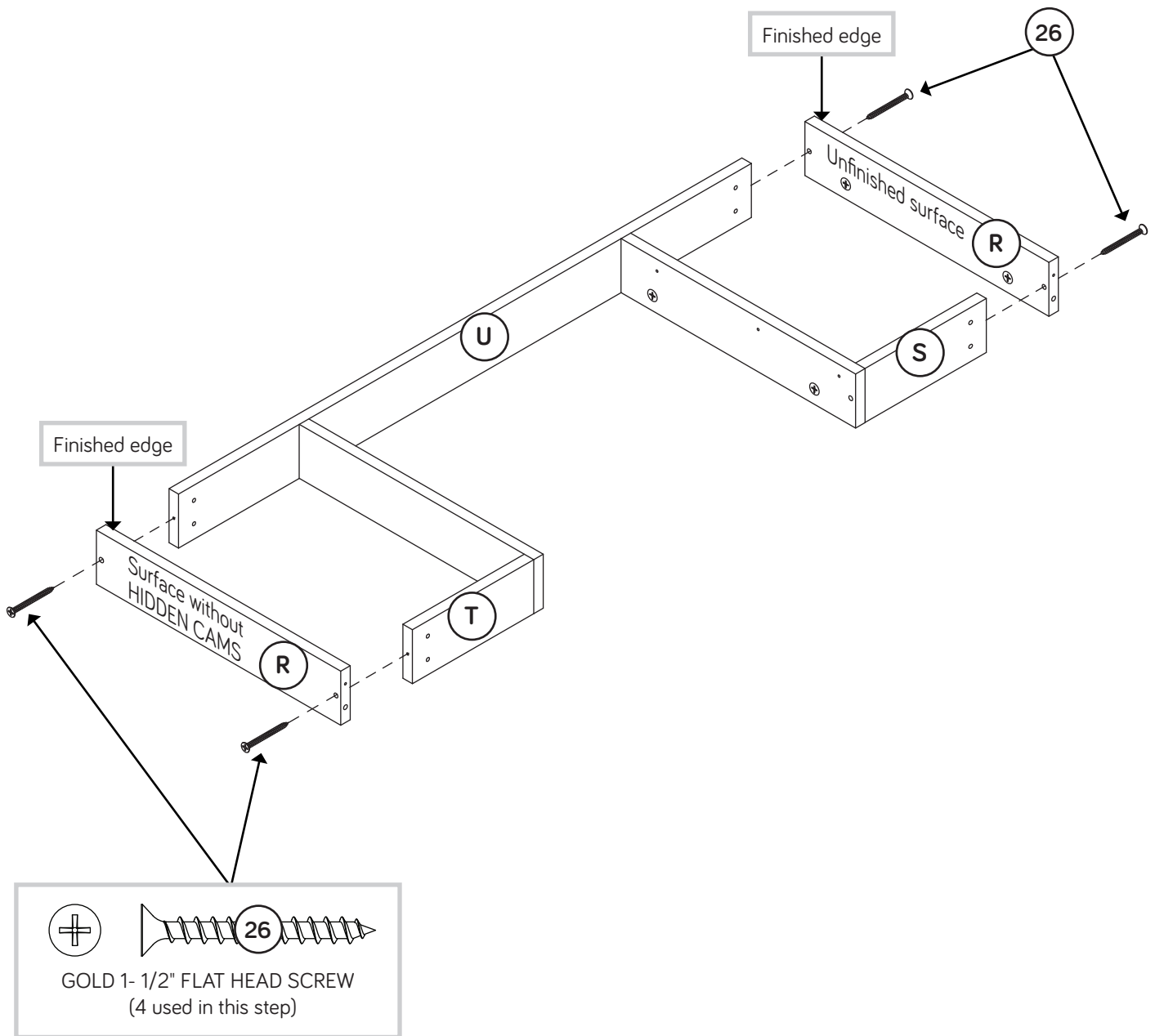
# Step 5

- Fasten the FRONTS (S and T) to the UPRIGHTS (V and W).  
Use two GOLD 1-1/2" FLAT HEAD SCREWS (26).



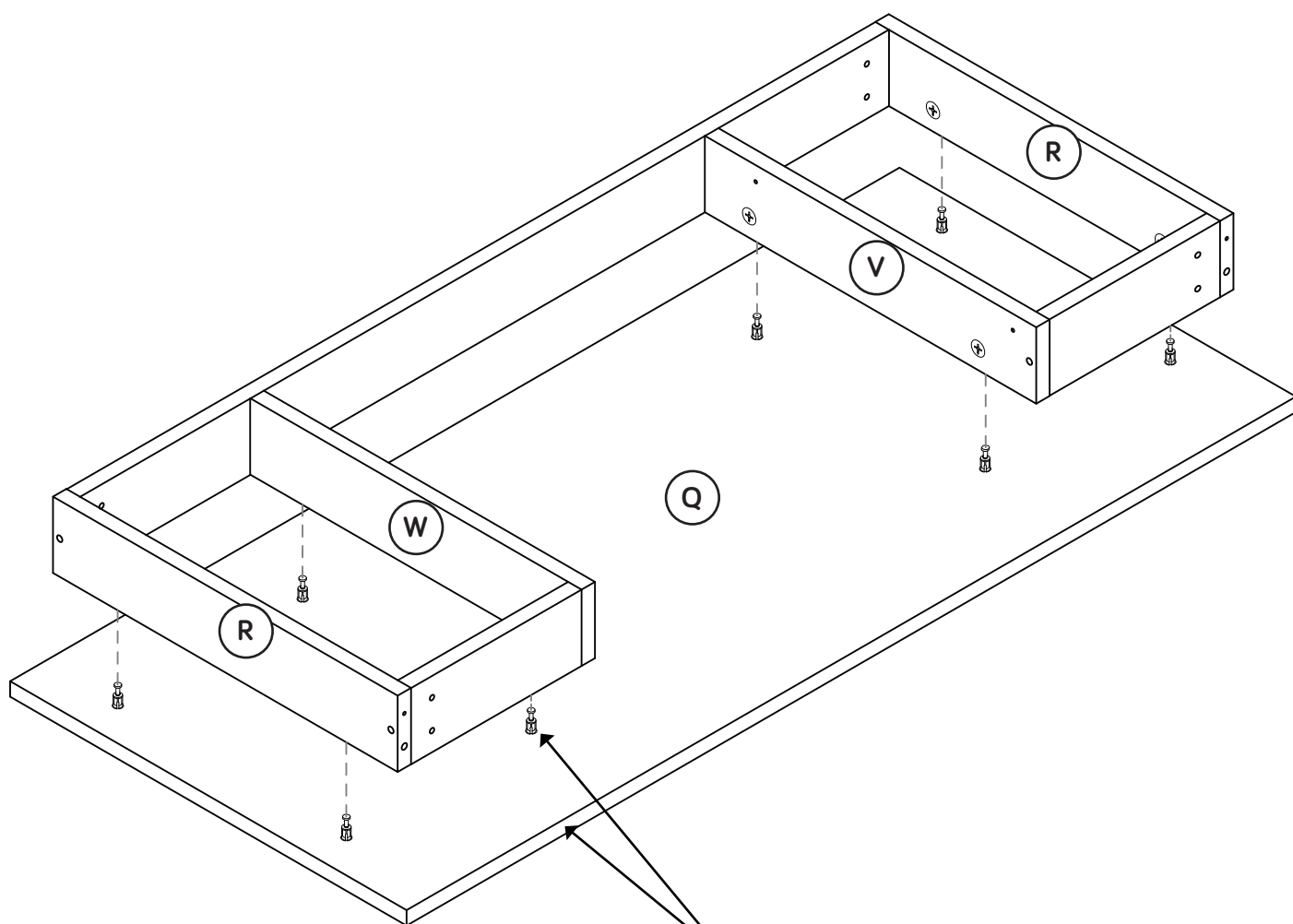
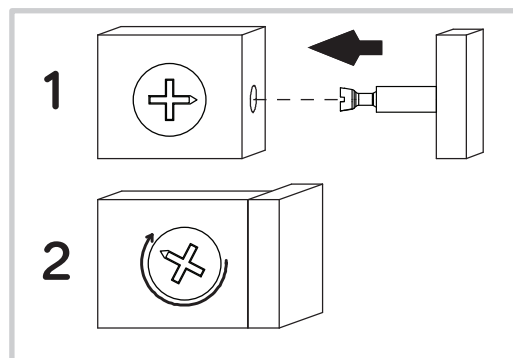
# Step 6

- Fasten the ENDS (R) to the FRONTS (S and T) and BACK (U).  
Use four GOLD 1-1/2" FLAT HEAD SCREWS (26).



# Step 7

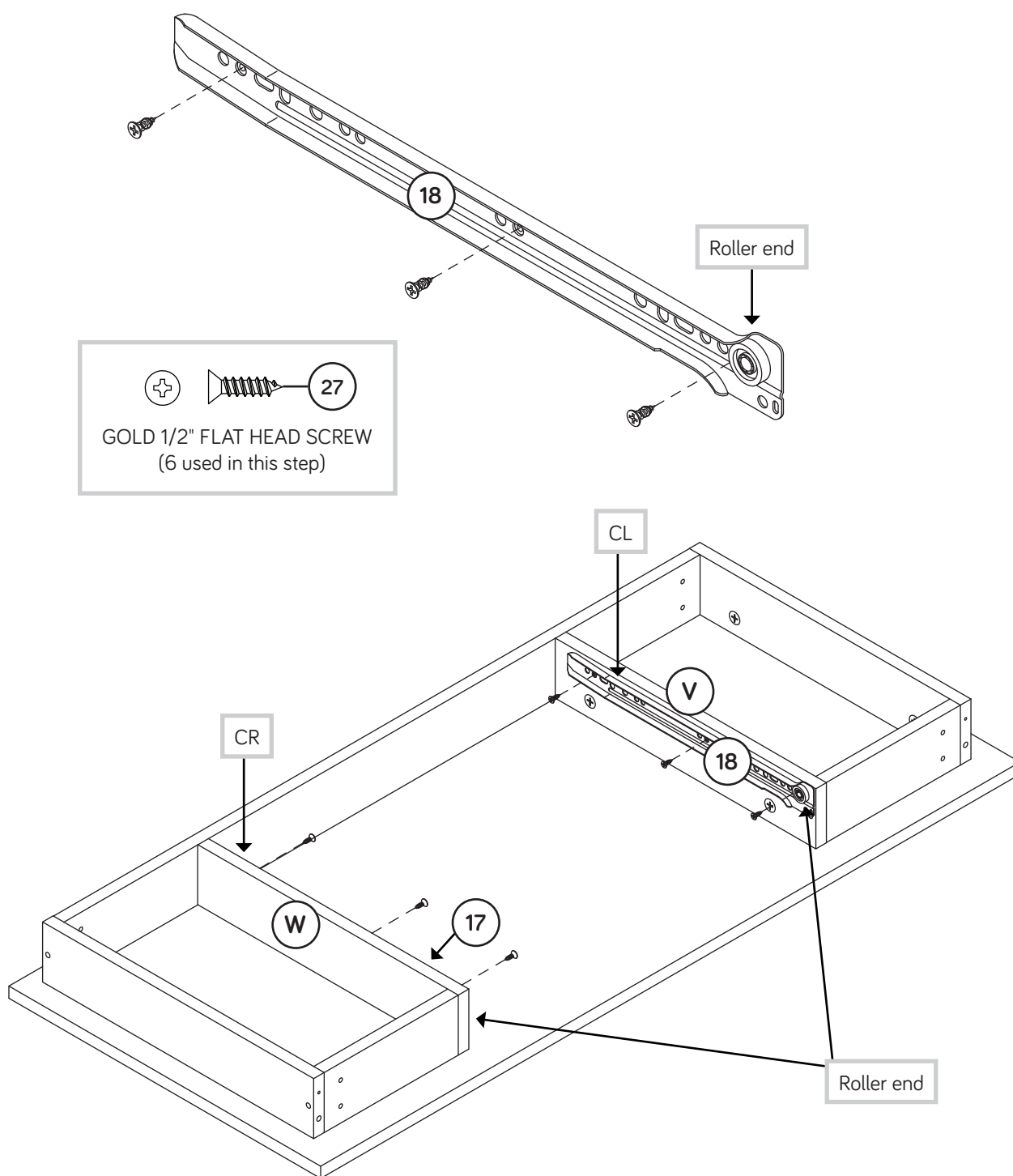
Fasten the ENDS (R) and the UPRIGHTS (V and W) to the TOP (Q). Tighten eight HIDDEN CAMS using the short screwdriver.



The CAM DOWELS are further from this edge.

# Step 8

- Fasten the CABINET RIGHT (17) to the RIGHT UPRIGHT (W) and the CABINET LEFT (18) to the LEFT UPRIGHT (V). Use six GOLD 1/2" FLAT HEAD SCREWS (27) through the holes shown in the enlarged diagram.



# Step 9

✚ Fasten one of each LEG (Y and Z) to the ENDS (R). Use two GOLD 1-1/2" FLAT HEAD SCREWS (26).

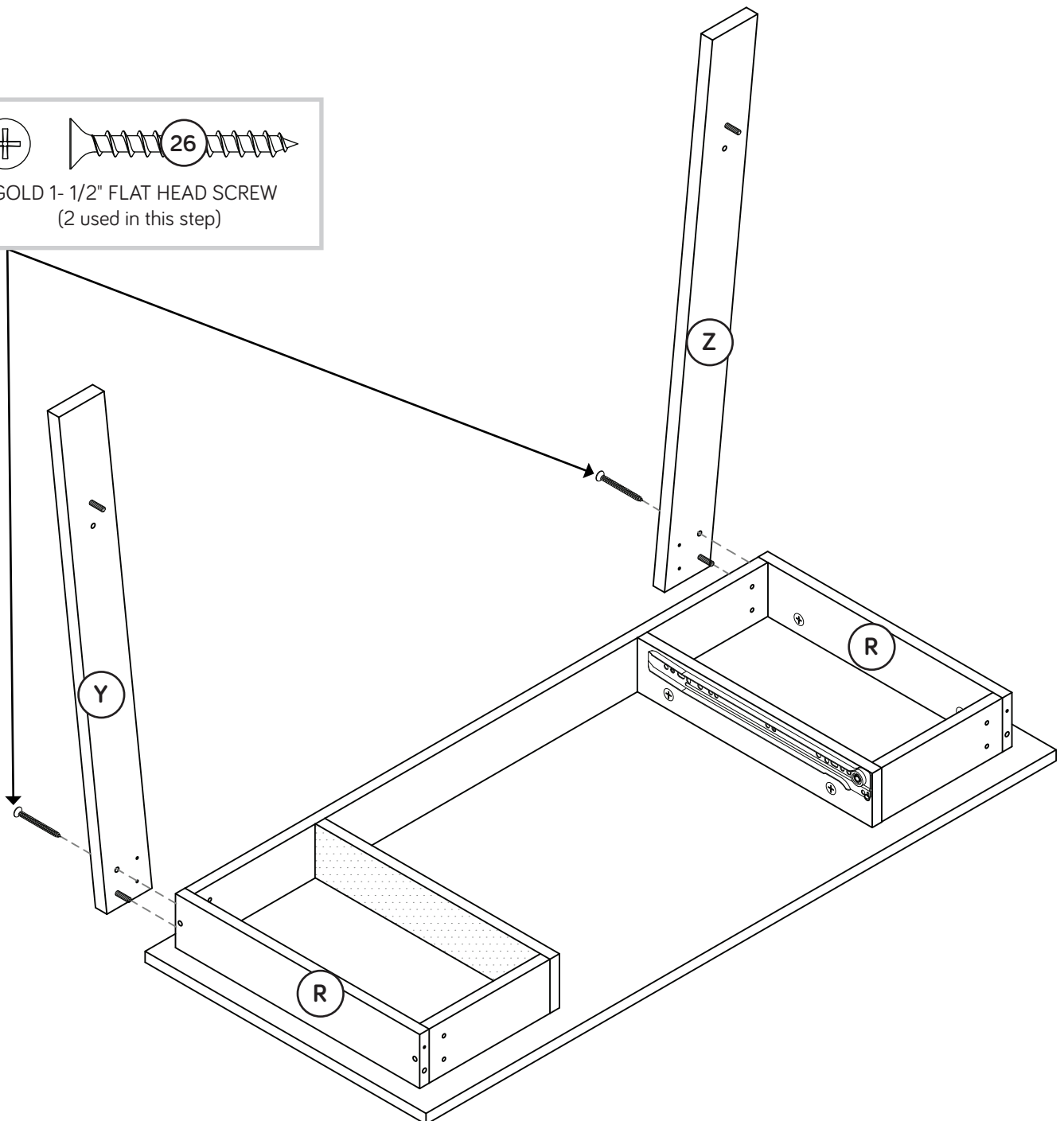
✚ NOTE: Be sure the WOOD DOWELS in the LEGS insert into the ENDS.



Now might be a good time to refresh your drink.

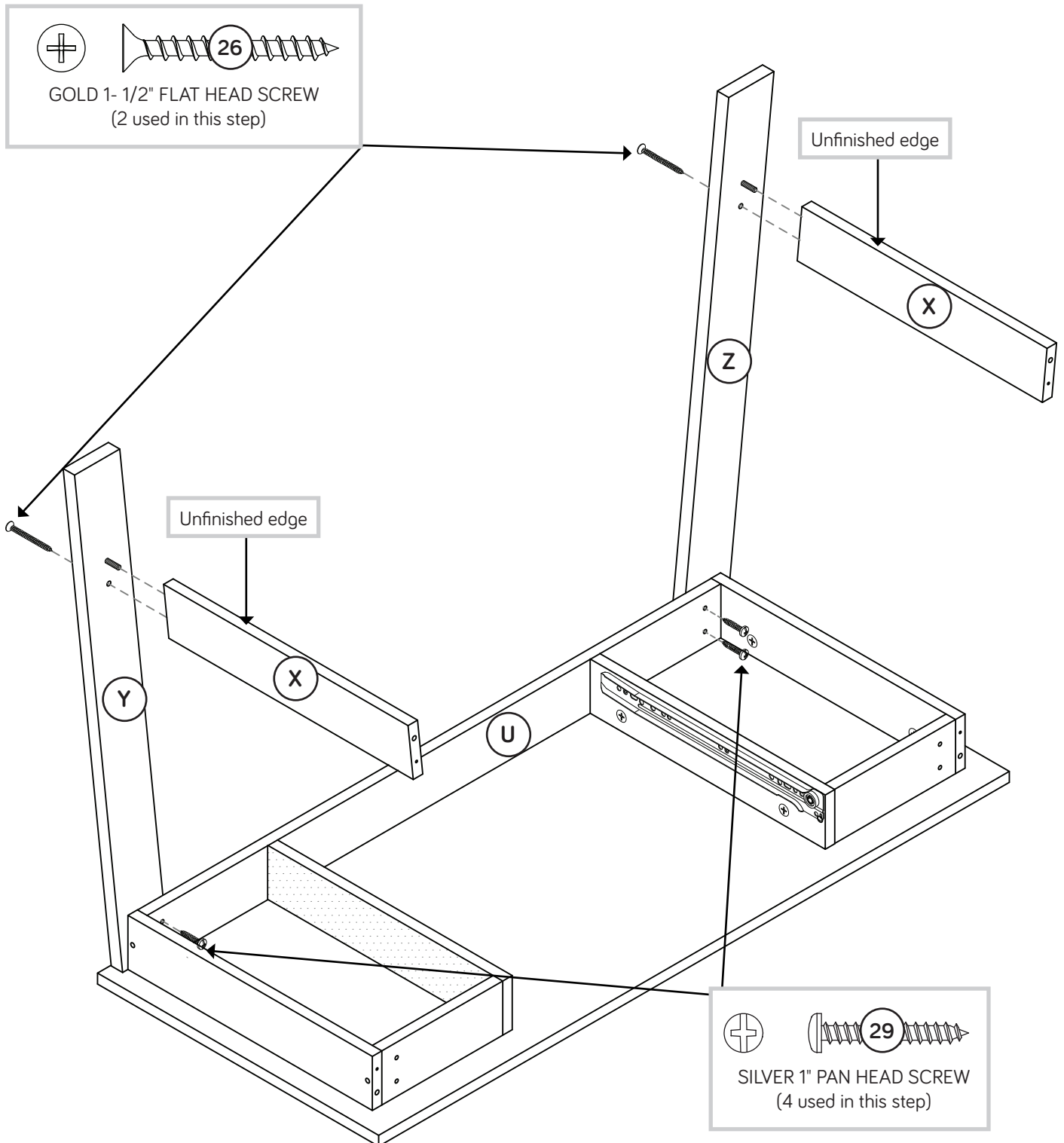


GOLD 1- 1/2" FLAT HEAD SCREW  
(2 used in this step)



# Step 10

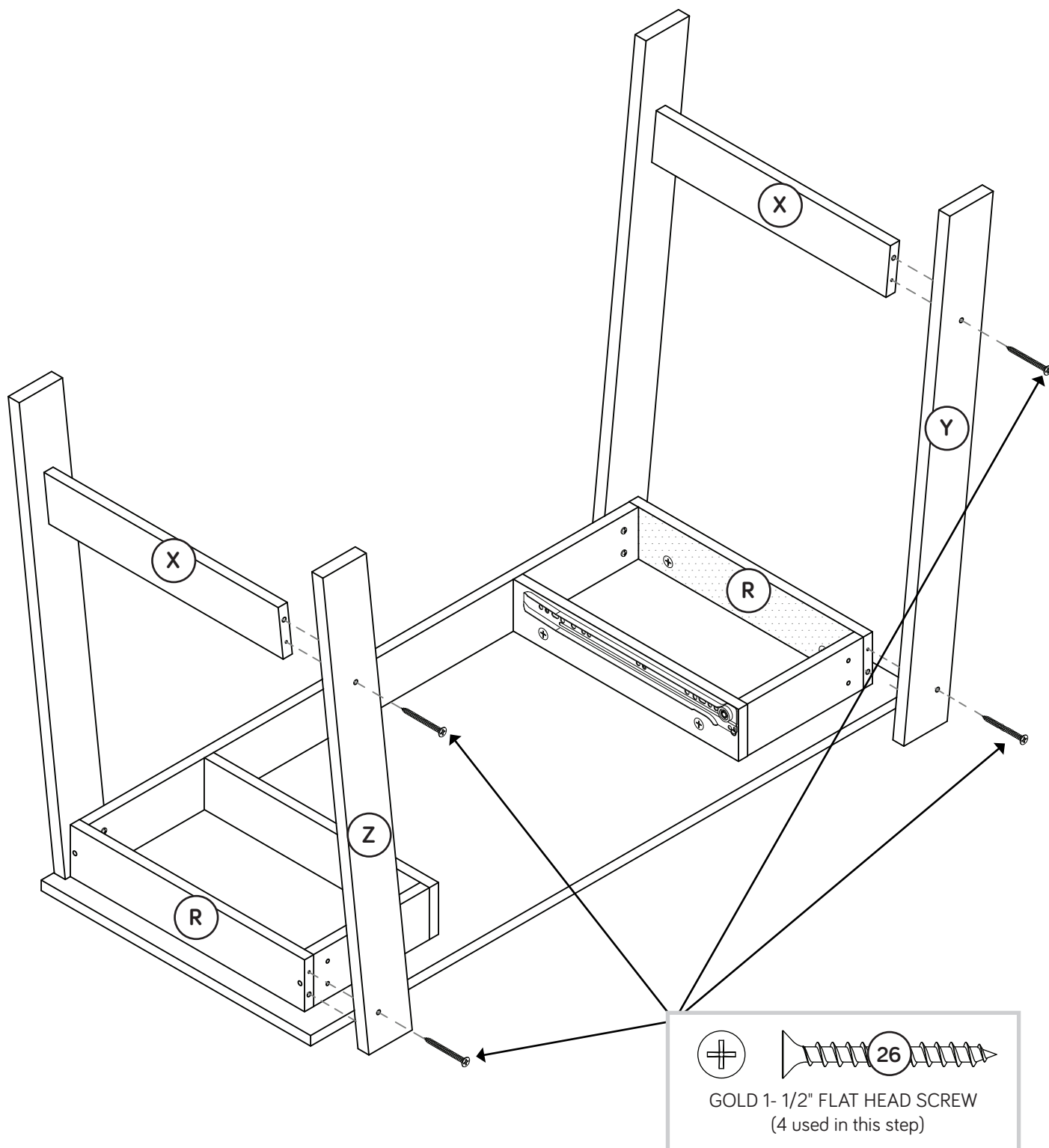
- Fasten the LEGS (Y and Z) to the BACK (U). Use four SILVER 1" PAN HEAD SCREWS (29).
- Fasten the STRETCHERS (X) to the LEGS (Y and Z). Use two GOLD 1-1/2" FLAT HEAD SCREWS (26).
- NOTE:** Be sure the WOOD DOWELS in the LEGS insert into the STRETCHERS.



# Step 11

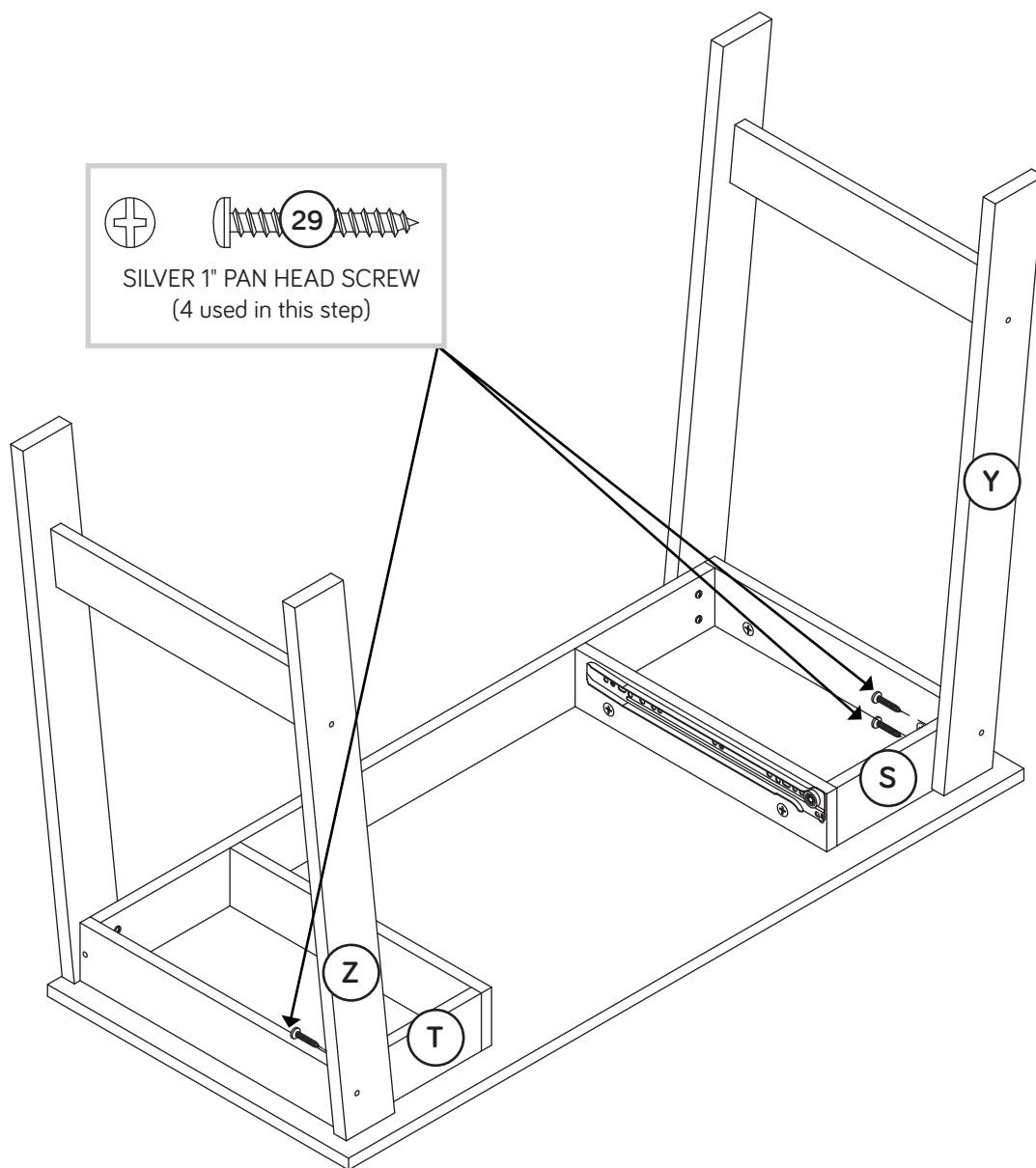
✚ Fasten the remaining LEGS (Y and Z) to the ENDS (R) and STRETCHERS (X). Use four GOLD 1-1/2" FLAT HEAD SCREWS (26).

✚ **NOTE:** Be sure the WOOD DOWELS in the LEGS insert into the STRETCHERS and ENDS.



# Step 12

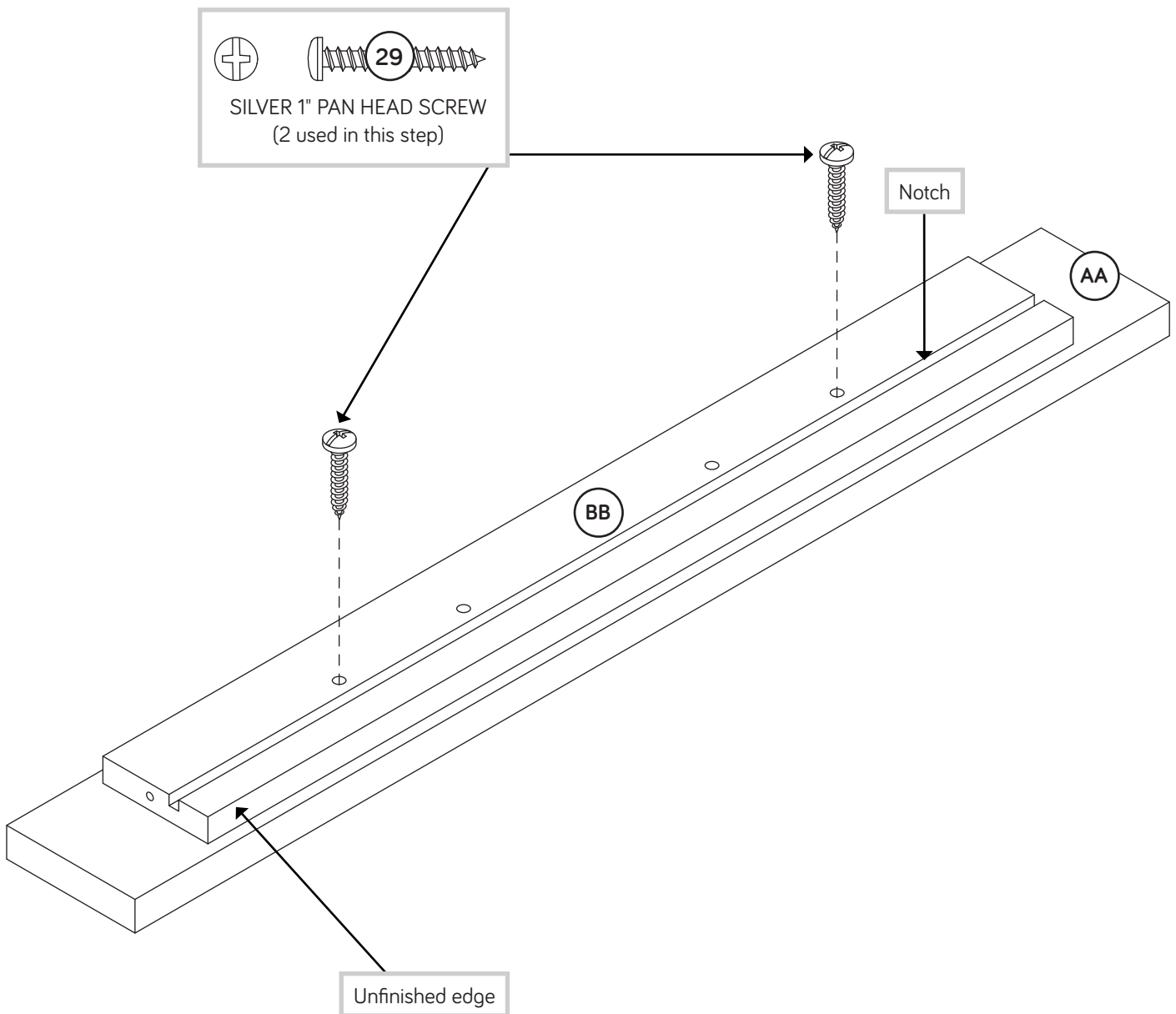
- Fasten the LEGS (Y and Z) to the FRONTS (S and T). Use four SILVER 1" PAN HEAD SCREWS (29).





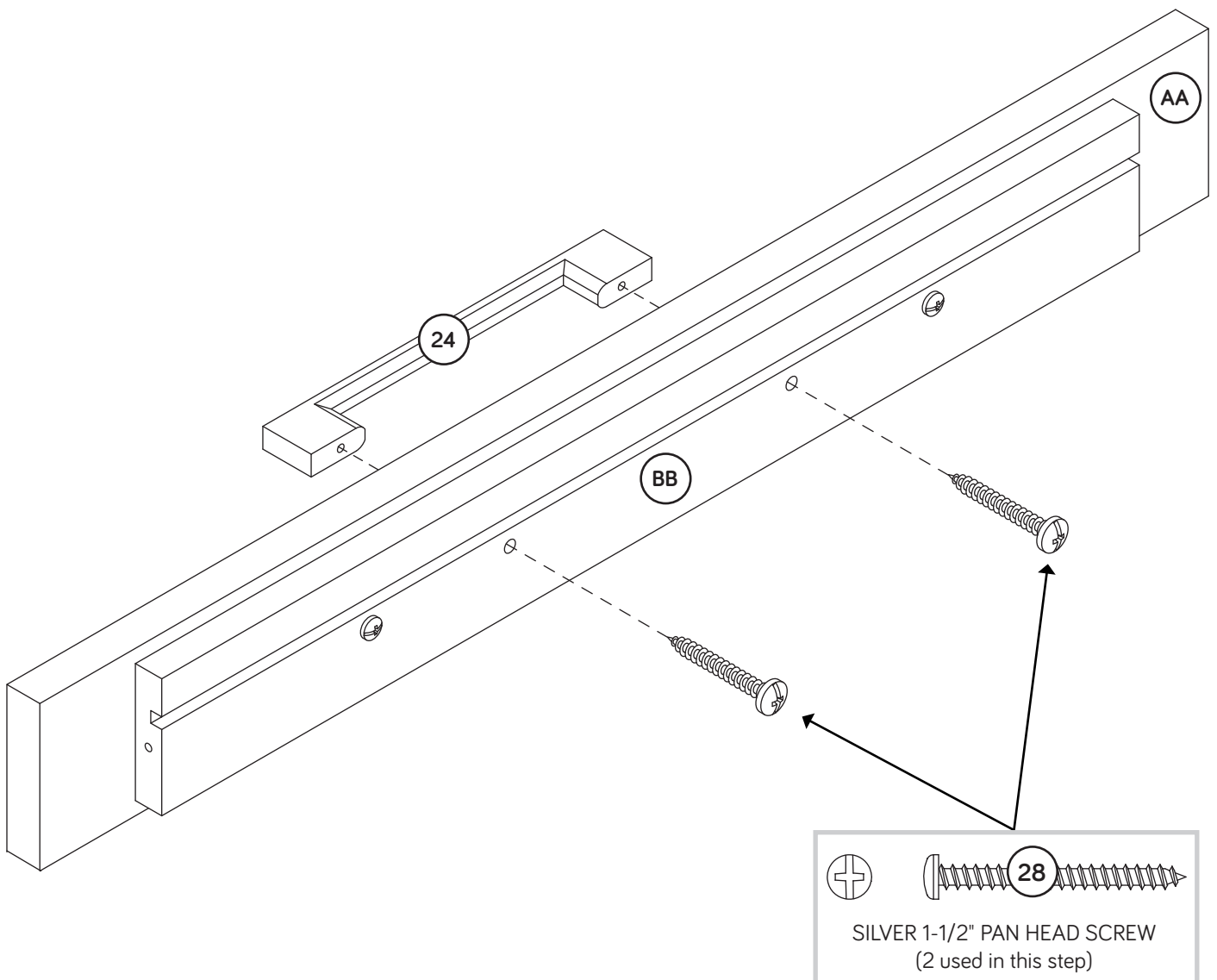
# Step 13

- Fasten the DRAWER BOX FRONT (BB) to the DRAWER FRONT (AA). Use two SILVER 1" PAN HEAD SCREWS (29).



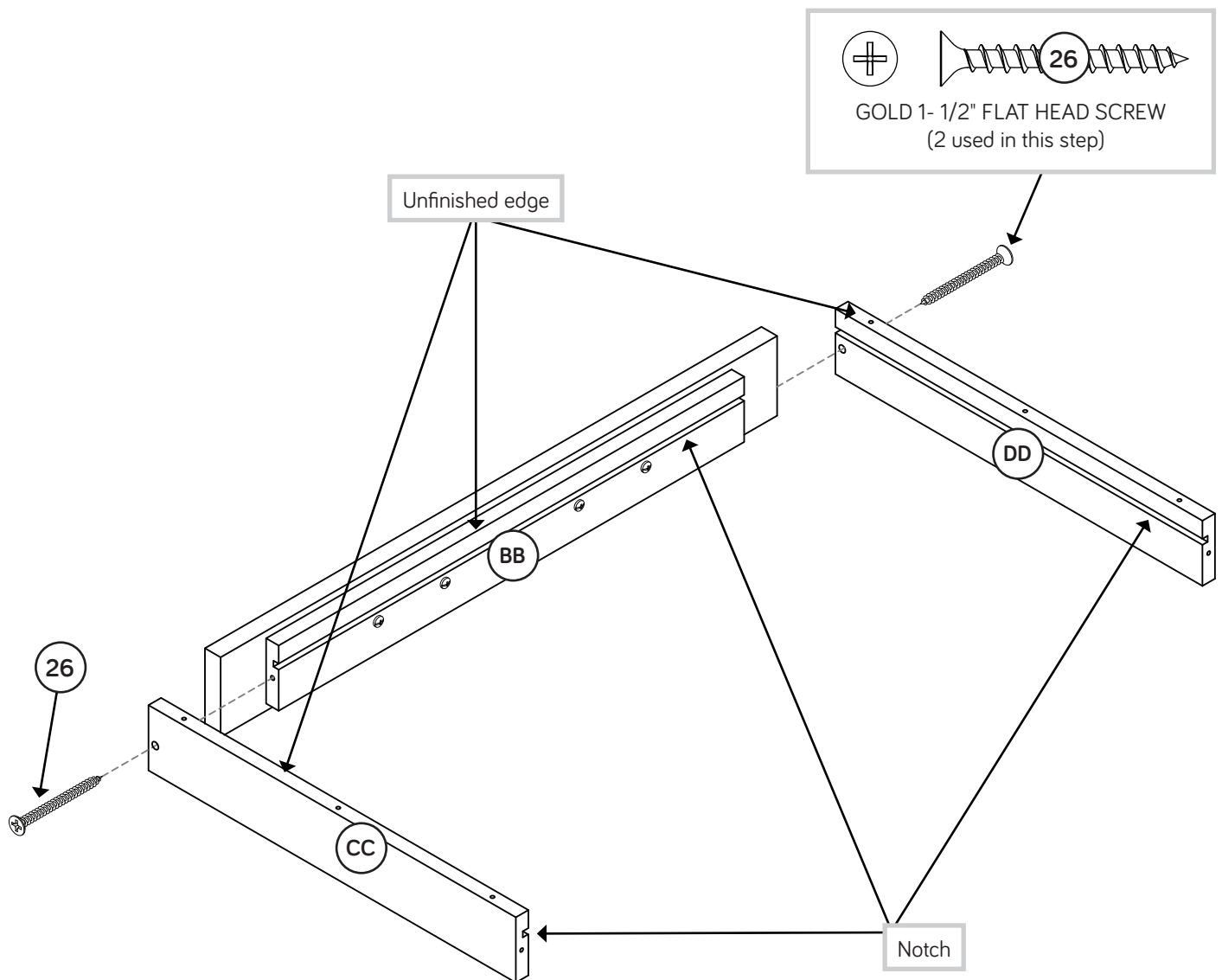
# Step 14

- Fasten the PULL to the DRAWER FRONT (AA). Use two SILVER 1-1/2" PAN HEAD SCREWS (28) through the DRAWER BOX FRONT and DRAWER FRONT.



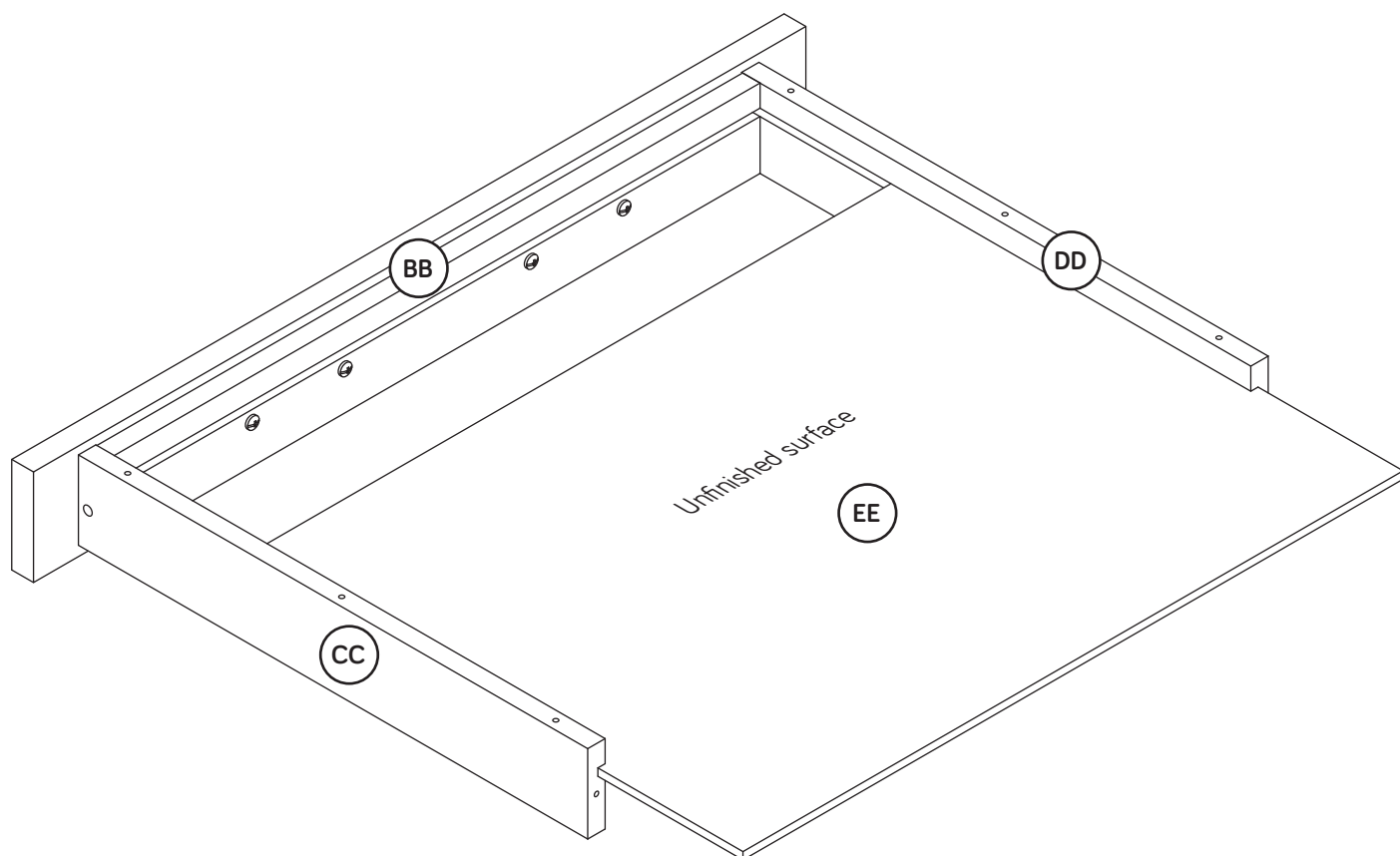
# Step 15

- Fasten the DRAWER SIDES (CC and DD) to the DRAWER BOX FRONT (BB). Use two GOLD 1-1/2" FLAT HEAD SCREWS (26).



# Step 16

- Slide the DRAWER BOTTOM (EE) into the DRAWER SIDES (CC and DD).
- NOTE:** Be sure the DRAWER BOTTOM inserts into the DRAWER BOX FRONT.



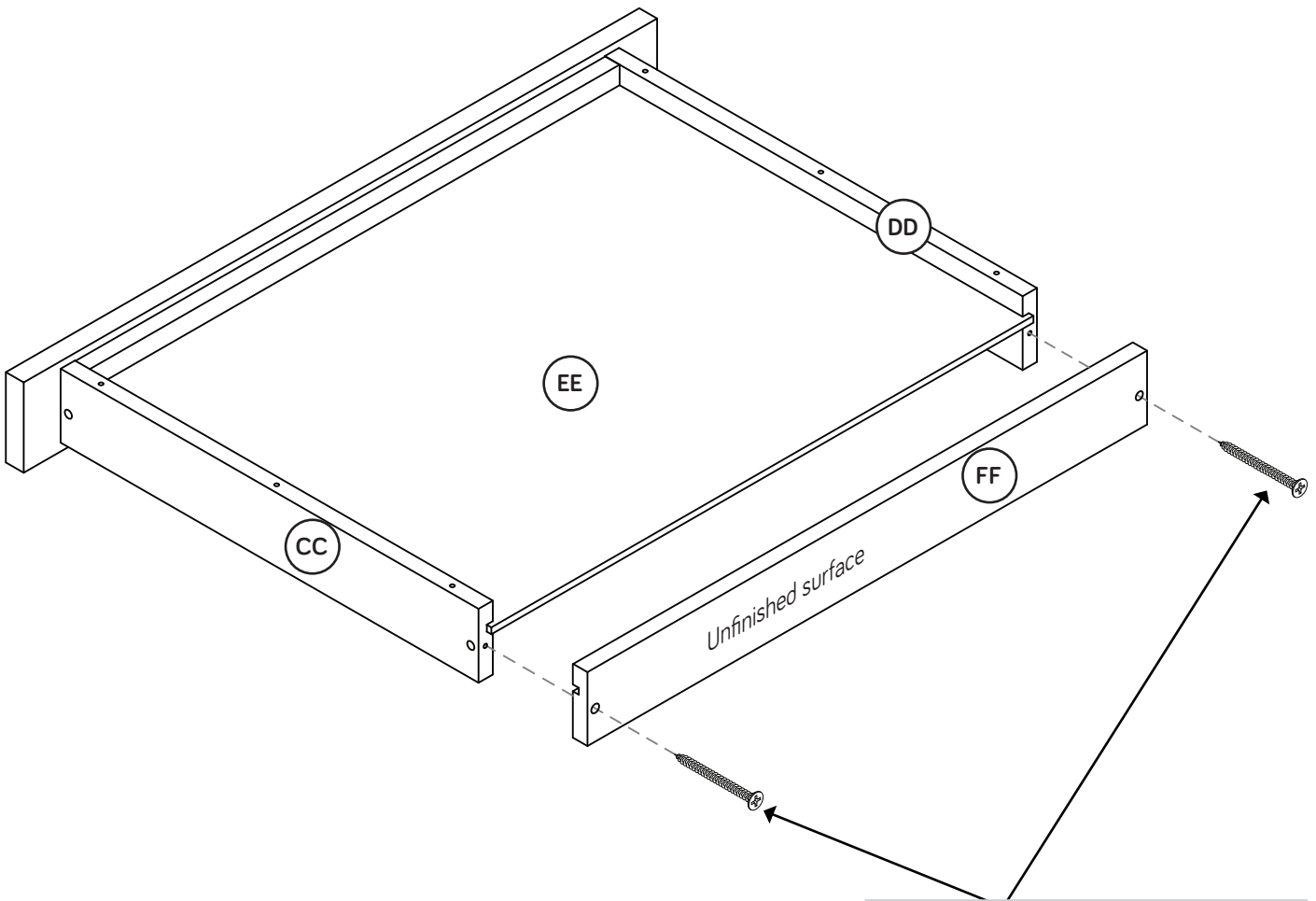
# Step 17

Fasten the DRAWER BACK (FF) to the DRAWER SIDES (CC and DD).  
Use two GOLD 1-1/2" FLAT HEAD SCREWS (26).

**NOTE:** Be sure DRAWER BOTTOM inserts into the DRAWER BACK.



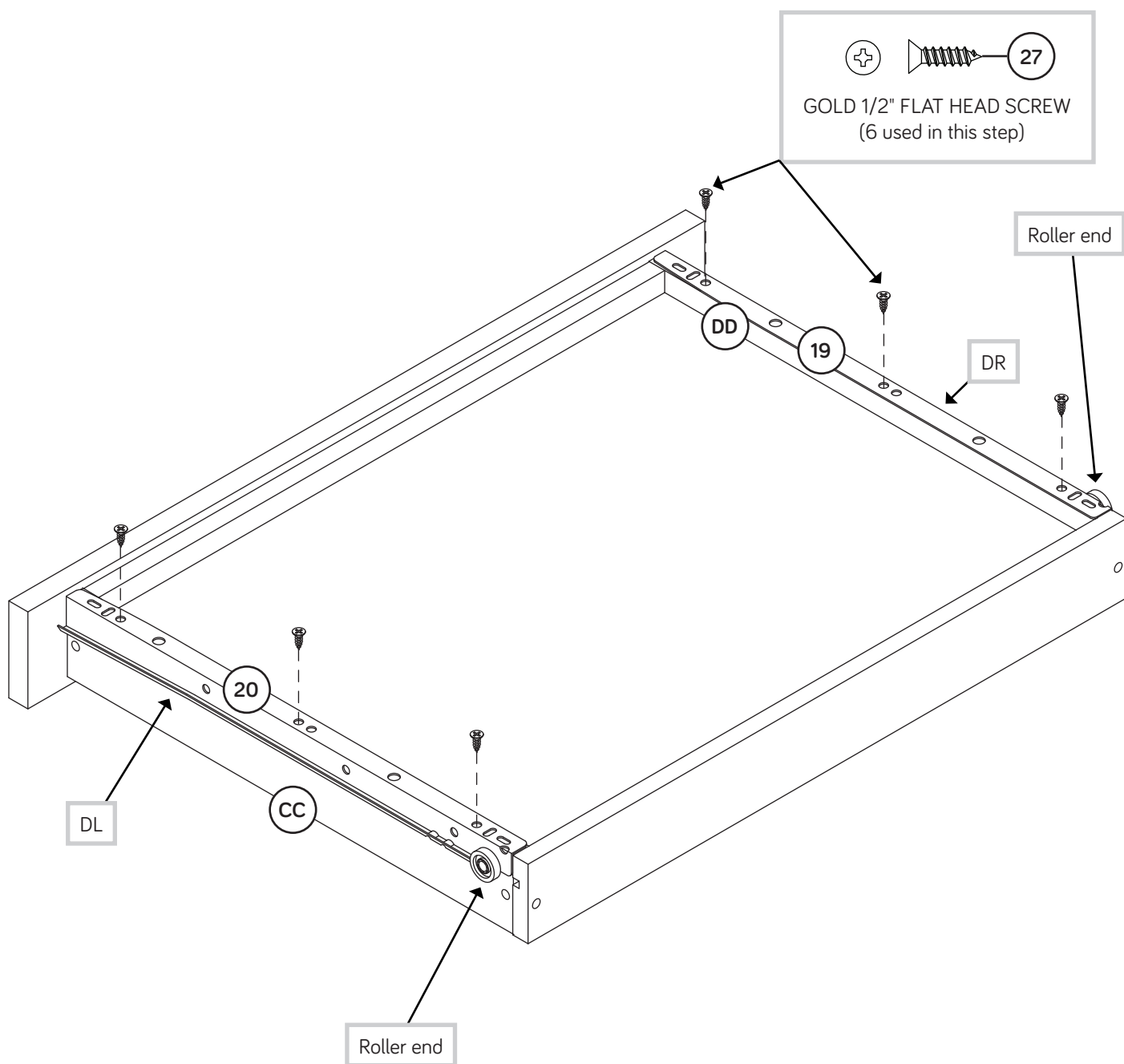
If you're doing this to help a friend, don't leave without a bite.



GOLD 1- 1/2" FLAT HEAD SCREW  
(2 used in this step)

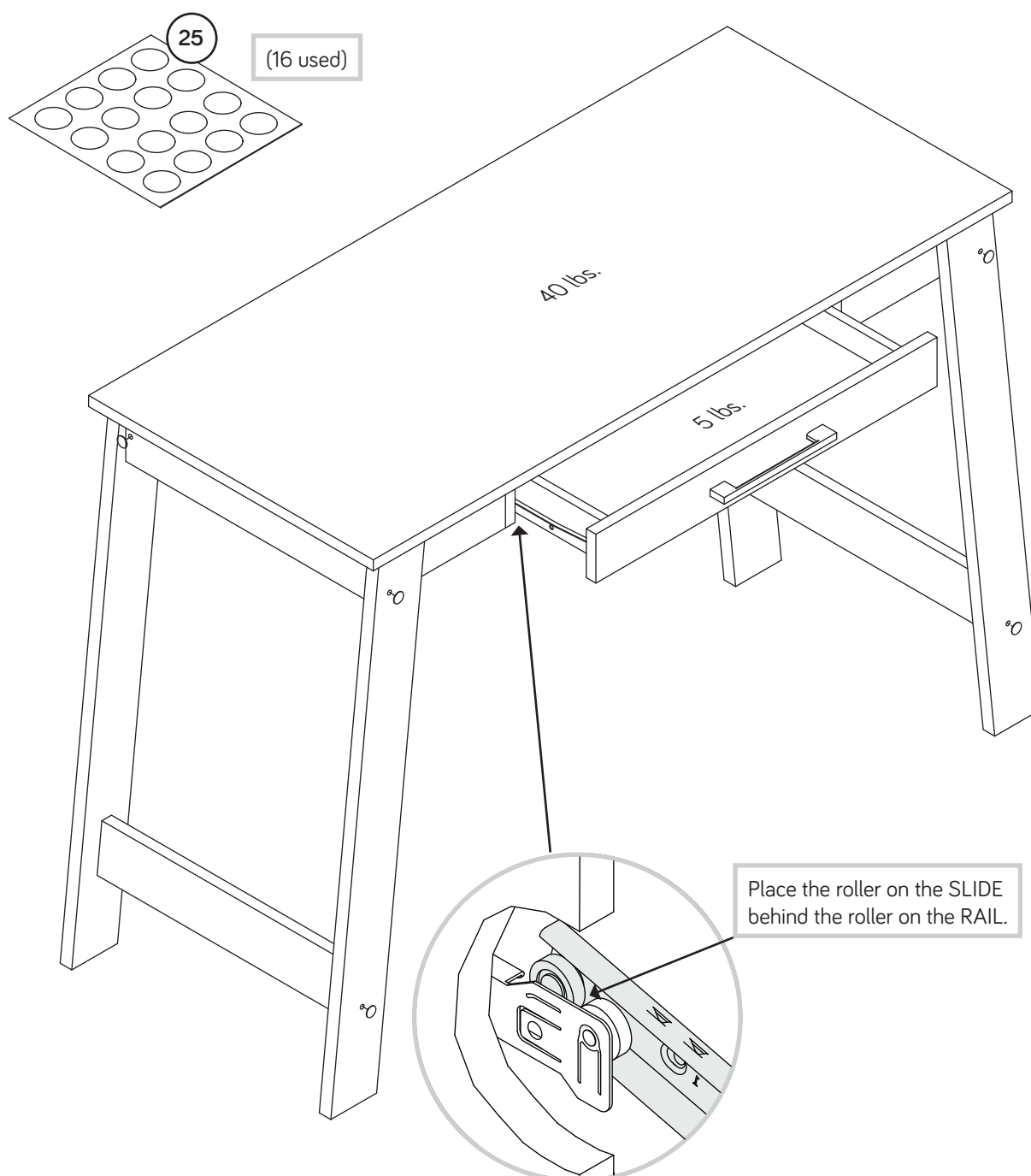
# Step 18

- Fasten the DRAWER RIGHT (19) to the RIGHT DRAWER SIDE (DD) and the DRAWER LEFT (20) to the LEFT DRAWER SIDE (CC). Use six GOLD 1/2" FLAT HEAD SCREWS (27) through the holes shown.



# Step 19

- ✦ Carefully stand your unit upright.
- ✦ To insert the drawer into your unit, tip the front of the drawer down and drop the rollers on the drawer behind the rollers on the unit. Lift the front of the drawer up and slide it into the unit.
- ✦ Peel APPLIQUES from the APPLIQUE CARD (25) and stick them onto each visible HIDDEN CAM / SCREW head.
- ✦ NOTE: Please read the back pages of the instruction booklet for important safety information.
- ✦ This completes assembly. Clean with a damp cloth. Wipe dry.



**⚠ WARNING**

Please use your furniture correctly and safely. Improper use can cause safety hazards, or damage to your furniture or household items. *Carefully read the following chart.*

Look out for:	What can happen:	How to avoid the problem:
<ul style="list-style-type: none"><li>Overloaded drawers or shelves.</li></ul>	<ul style="list-style-type: none"><li>Risk of injury.</li><li>Top-heavy furniture can tip over.</li><li>Overloaded drawers or shelves can break.</li></ul>	<ul style="list-style-type: none"><li>Never exceed the weight limits shown in the instructions.</li><li>Work from bottom to top when loading shelves and drawers. Place the heavier items on the lower shelves or in lower drawers.</li></ul>
<ul style="list-style-type: none"><li>Placing TVs on furniture items that are not designed to support a television is hazardous.</li></ul>	<ul style="list-style-type: none"><li>Risk of injury or death. TVs can be very heavy. Plus the weight and location of the picture tube tends to make TVs unbalanced and prone to tipping forward.</li></ul>	<ul style="list-style-type: none"><li>This product is not designed to support a television.</li></ul>